

Twin-120-V Powder Feeder MultiCoat Vacuum Plasma Spraying


Parts List
PL 40222 EN 04




PL 40222 EN 04 Released on: 31.03.2017

Oerlikon Metco Switzerland
Rigackerstrasse 16

CH-5610 Wohlen

 +41 56 618 81 81

 +41 56 618 81 00

www.oerlikon.com/metco

Spare Parts Categories

C = Consumable Parts

Parts subjected to major wear during normal operation. These parts require replacement on a regular basis.

Recommended in order to avoid downtimes.

W = Wear Parts

Parts used for maintenance service. These parts are likely and expected to wear out during the life of the product.

Wear parts are not subject to warranty.

K = Critical Parts

Parts recommended in order to guarantee maximum availability of component. This prevents downtime caused by delay in procurement.



Warranty Disclaimer

Installing non-Oerlikon Metco spare parts on Oerlikon Metco equipment voids the product warranty.

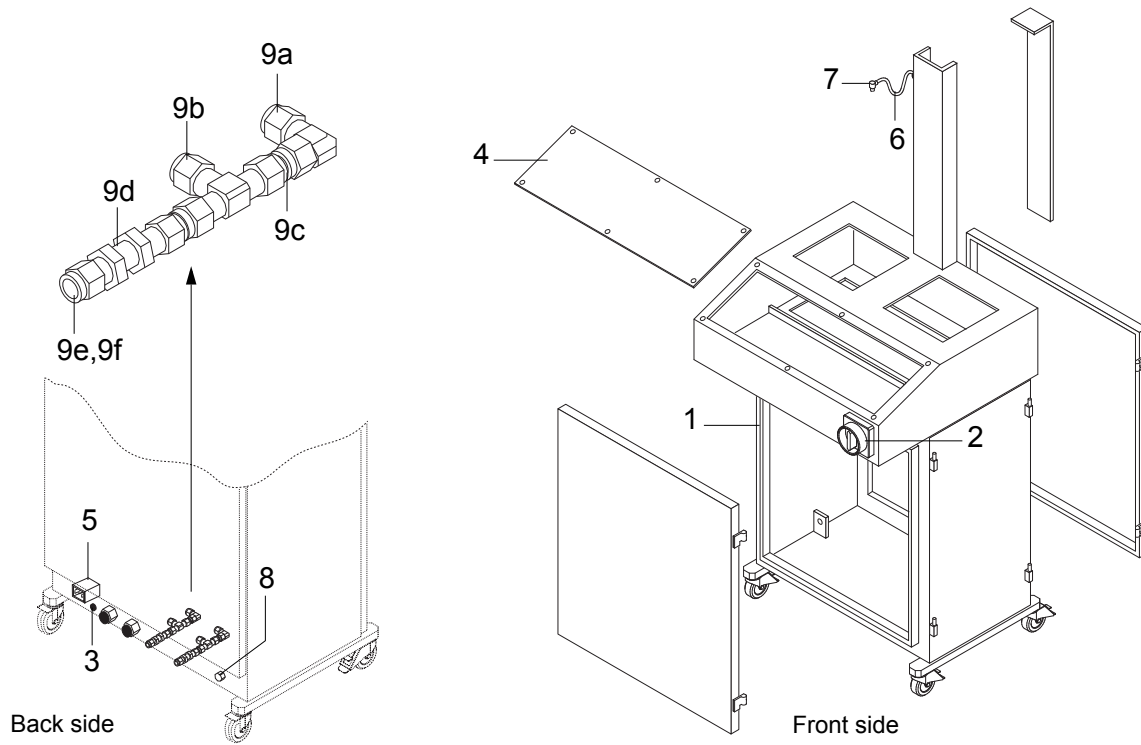
1 Parts list

Twin-120-V Powder Feeder

1065119



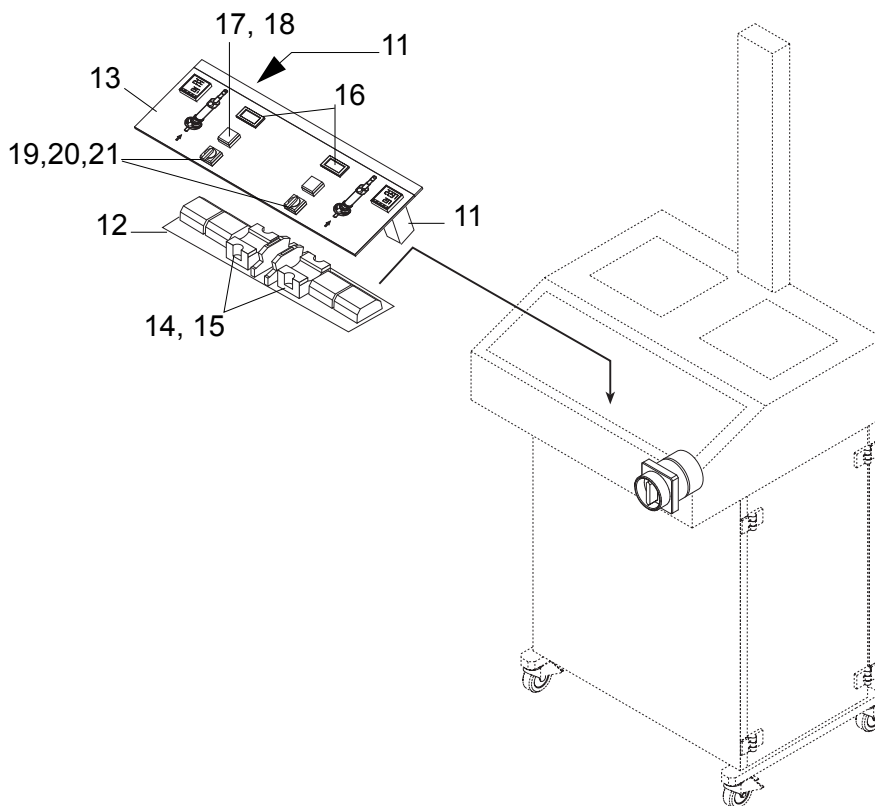
1.1 Housing, gas connection



Pos.	Designation	Qty.	Cat.	Art. No.
1	Housing	1		1070571
2	Main switch H263 63A GR/SW	1	K	1012533
3	Cover cap	1		1007853
4	Front plate with heating	see page 4	K	1067978
5	Plug	1	K	1021341
	Cover	1	K	1021335
6	Cable with Lemo plug	including Pos. 7	K	1036269
7	Right angle plug	2	K	1003207
8	Sound absorber	1	K	1011146
9a	Elbow union B-400-9	2		1007302
9b	T-piece	2		1007297
9c	Port connector B-401-PC	2		1007309
9d	Port connector B-601-PC-4	2		1012123
9e	Lead through B-600-61	2		1004382
9f	Rib washer M14/15	2		1020168

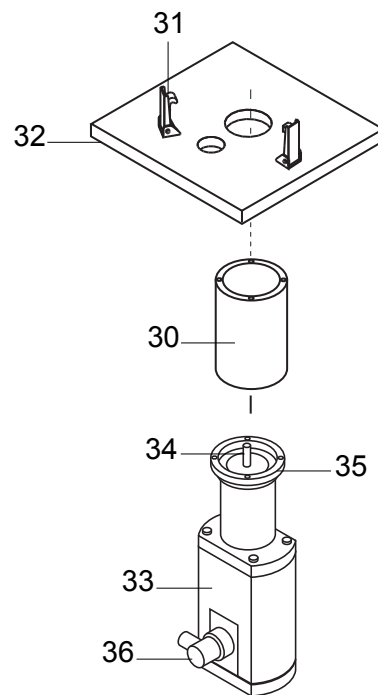
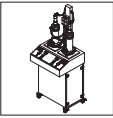
PL 40222 EN 04 Released on: 31.03.2017

1.2 Front plate with heating and pressure display



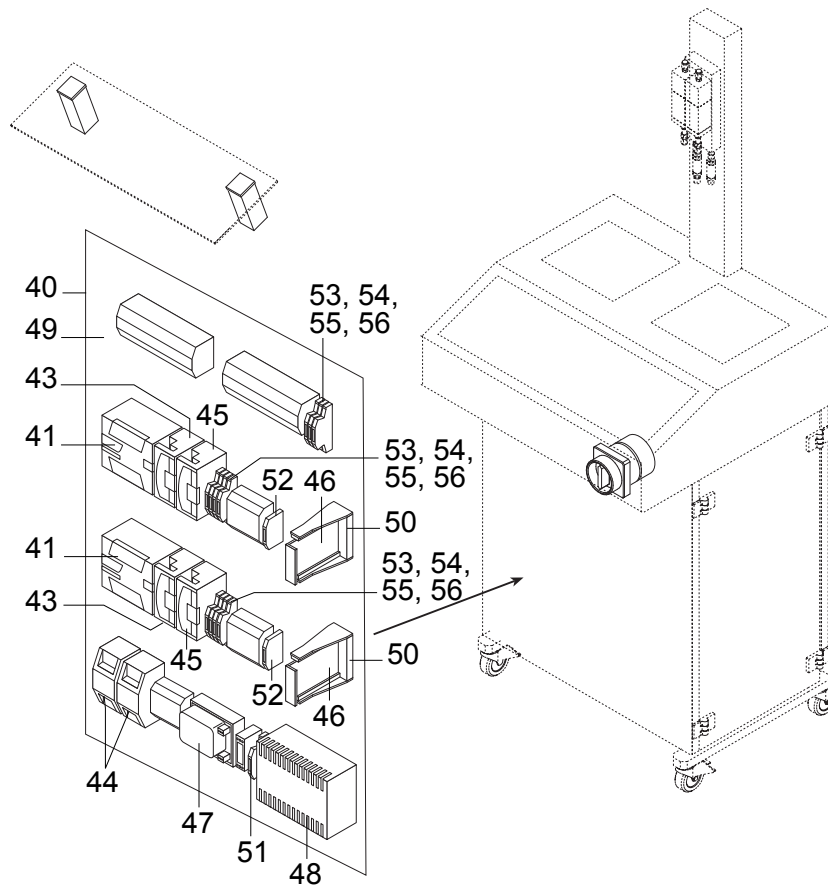
Pos.	Designation	Qty.	Cat.	Art. No.	
4	Front plate with heating	1		1067978	
11	Temperature controller 5300 24 VDC	2	K	1021334	
12	Mounting plate	1	K	1034306	
13	Cover	1	K	1034981	
14	Relay	2	W	1021345	
15	Mounting bar	2	K	1021346	
16	Pressure display DVM	2	W	1003833	
17	Push button	2	K	1012779	
18	Quick break switch	2	K	1004462	
19	3 positions switch	2	K	1007412	
20	Quick break switch	2	K	1004461	
21	Quick break switch	2	K	1007417	
Not shown					
22	Plug	2	K	1008230	
23	Cable plug for temperature sensor	2	W	1003145	
24	Screwed cable gland	2		1033626	
25	Counternut	2		1020113	
26	Cable TDC 3x1.0 PNE	Length 4000 mm	--	K	1014130
27	Cable TDC 2x1.0 NR	Length 4000 mm	--	K	1014145
28	Cable without armour 3x0.5	Length 3000 mm	--	K	1014180
29	Cable TDC 3x1.5	Length 2000 mm	--	K	1014131

1.3 Motor metering disc



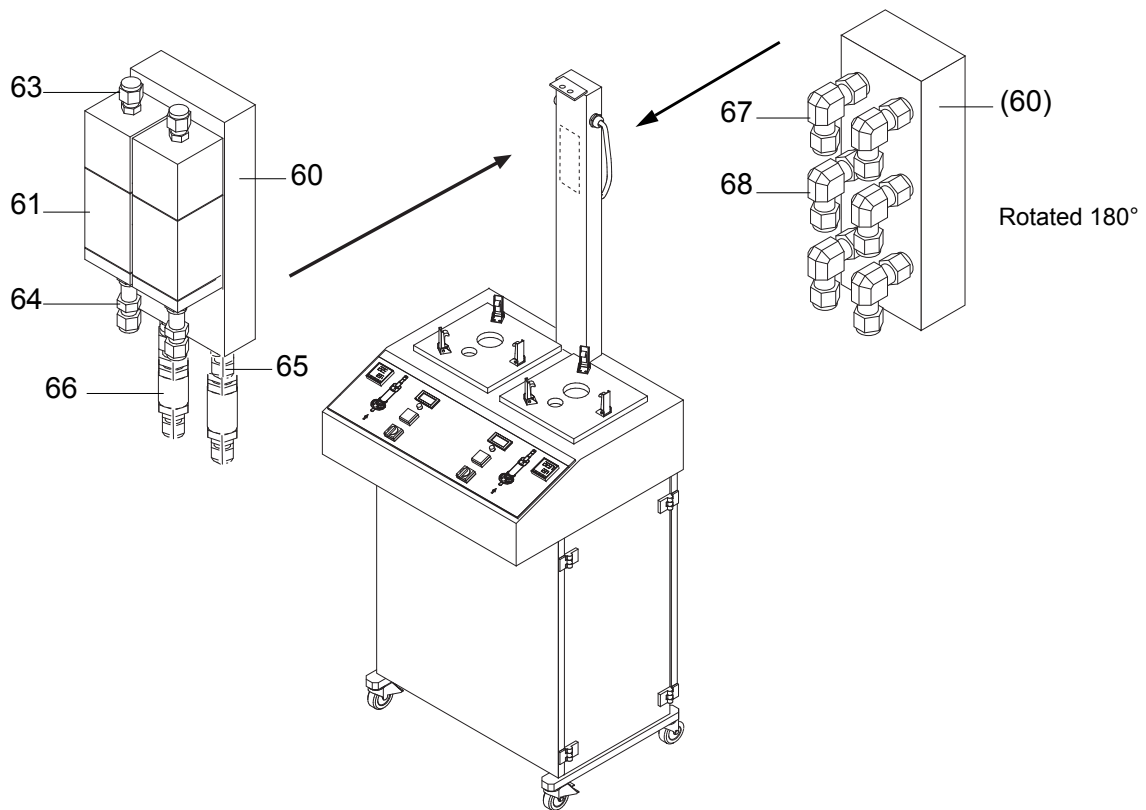
Pos.	Designation	Qty.	Cat.	Art. No.
30	Holder for motor	2	K	1003240
31	Quick chuck lever	6	K	1008323
32	Mounting plate for gas injector	2	K	1034298
33	Motor with gear	2	K	1064656
34	Pinion Ø 12	2	K	1003205
35	Motor flange	2	K	1064686
36	Motor cable with right angle socket	2	K	1064660

1.4 Electrotechnical parts



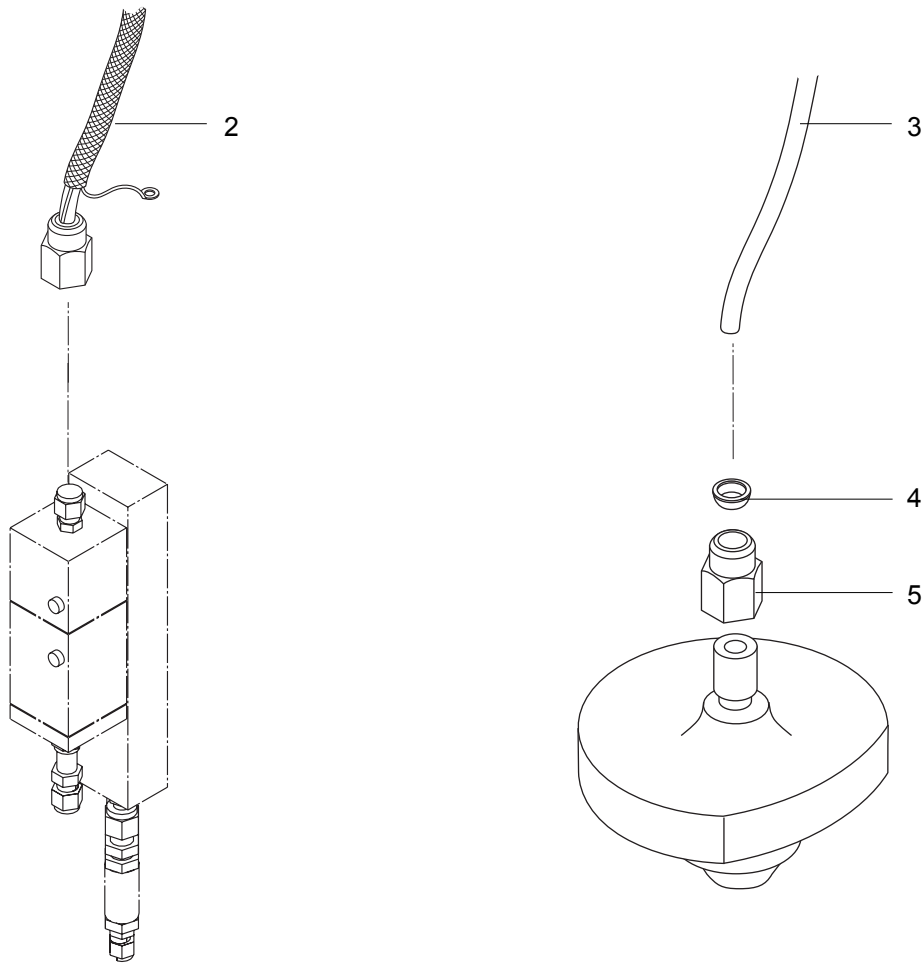
Pos.	Designation	Qty.	Cat.	Art. No.
40	Electrotechnical parts	1		1067426
41	Processor 1762-L24BXB	2	K	1021343
42	Connecting cable AIC1/Processor 1761-C-B (not shown)	2	W	1019097
43	Analog input module 1762-IF4	2	K	1049707
44	Interface converter RS232/RS485 1761-NETAIC	2	K	1008109
45	Analog output module 1762-OF4	2	K	1064661
46	Motor control unit DC 1QC	2	K	1009565
47	DC-DC converter 15 VDC / 60 W	1	K	1016386
48	Power unit type TIS 500-124	1	K	1034717
49	Mounting plate	1	W	1034299
50	Plug-in block SK3	2	K	1013688
51	Relay 3TX7005-1LB00 24 V	1	K	1012309
52	Diode 50 SQ 100 5 A	2	K	1007441
53	Fuse 5x20 mm 2 A T KS	2	K	1013441
54	Fuse 5x20 mm 4 A T KS	3	K	1013442
55	Fuse 5x20 mm 5 A T KS	2	K	1013443
56	Fuse 5x20 mm 6.3 A T KS	4	K	1013435

1.5 Manifold with compression valves



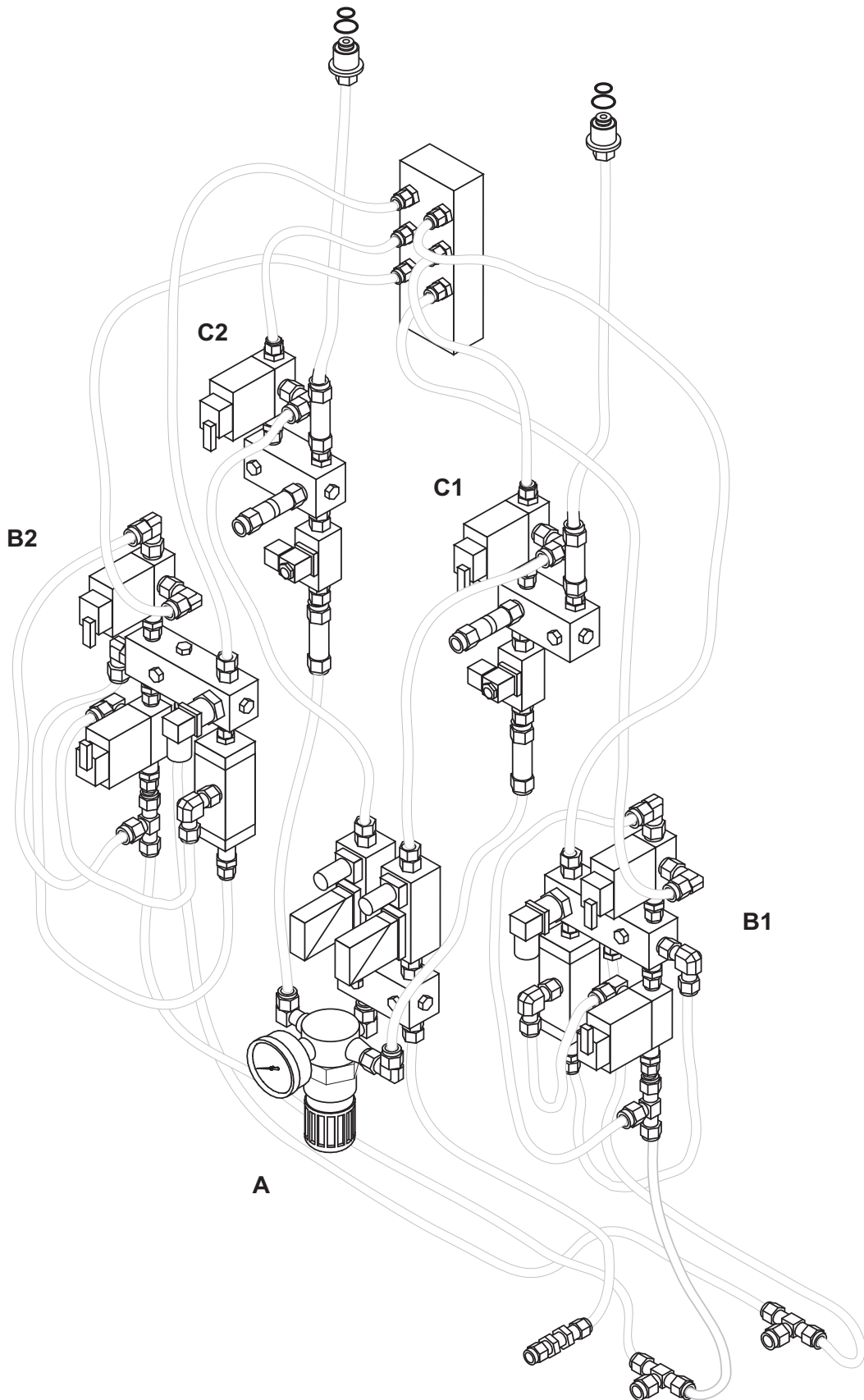
Pos.	Designation	Qty.	Cat.	Art. no.
60	Manifold block	1		1035007
61	Compression valve (by-pass)	2	W	1001267
62	O-ring 5.28 x 1.78 (not shown)	4	K	1013780
63	Union piece B-6MO-1-4ST	2		1012076
64	Pipe fitting SS-4-WVCO-6-400	2		1034718
65	Pipe socket	6		1034720
66	Filter B-4F2	2	K	1012105
67	Elbow union B-400-9	4		1007302
68	Elbow union B-400-2-2RT	2		1012115

1.6 Powder hoses



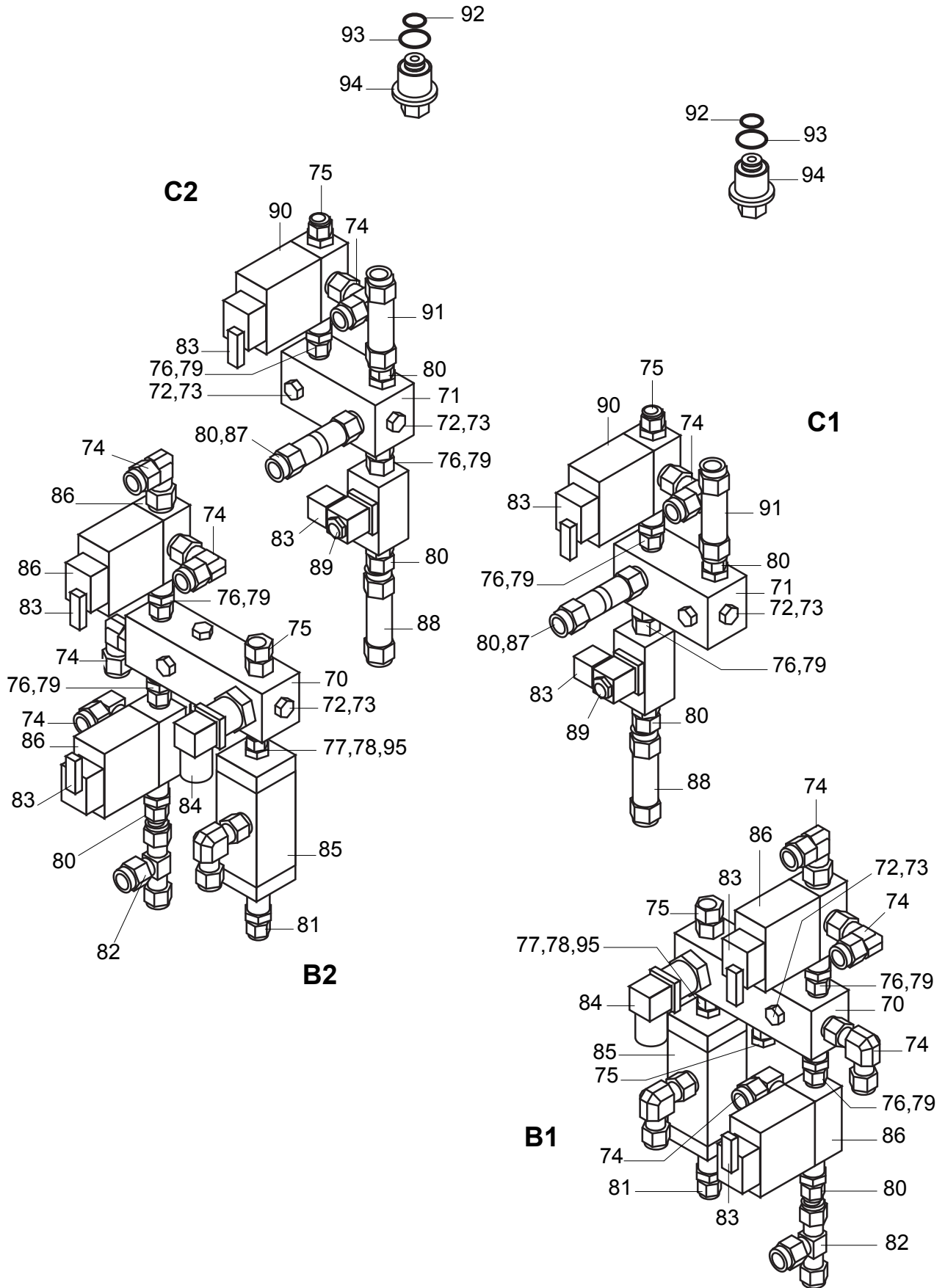
Pos.	Designation	Qty.	Cat.	Art. No.
Powder hose within vacuum chamber				
1	Hose powder VPS PTFE tank inside	4 m (not illustrated)		1038185
Powder hose compression valve to vacuum chamber				
2	Hose powder VPS with Cu cover	2 m	W	1018825
	Hose powder VPS PTFE with Cu cover	3 m	W	1042416
	Hose powder VPS PTFE with Cu cover	4 m	W	1018849
	Hose powder VPS PTFE with Cu cover	5 m	W	1014045
	Hose powder VPS PTFE with Cu cover	6 m	W	1014046
	Hose powder VPS PTFE with Cu cover	7 m	W	1014047
	Hose powder VPS PTFE with Cu cover	8 m	W	1014050
	Further lengths			on request
Powder hose powder insert (suction unit) to compression valve				
3	Powder hose Teflon white 4/6 mm	1	W	1003147
4	Clamping ring 6 mm	2		1004393
5	Nut 6 mm	2		1004370

1.7 Gas lines



PL 40222 EN 04 Released on: 31.03.2017

1.7.1 Block B1 and C1, gas injector

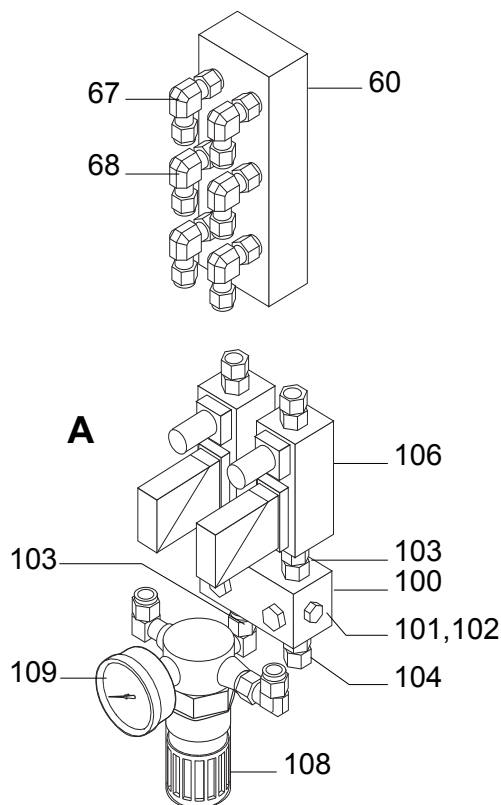


PL 40222 EN 04 Released on: 31.03.2017

Pos.	Designation	Qty.	Cat.	Art. no.
70	Manifold 40 x 30 x 120 mm	2		1012334
71	Manifold	2		1012335
72	Blind plug B-1/4	12		1011177
73	Seal	12		1038662
74	Elbow union B-400 2-4RT	10		1007305
75	Union piece B-400 1-4RT	6		1007275
76	Union piece B-600 1-4RT	6		1007276
77	Union piece SS-400 1-4RT	2		1007278
78	Union piece	2		1012085
79	Pipe socket B-6TA 1-4RT	8		1004378
80	Pipe socket B-4TA 1-4RT	6		1007282
81	Pipe fitting	2		1034718
82	T-piece	2		1007297
83	Solenoid valve plug	8	K	1012333
84	Pressure transmitter PAA-S23	2	K	1021311
85	Compression valve	2	K	1008233
86	Solenoid valve 24 VDC 0330D30NBR	4	K	1010416
87	Pressure relief valve B-4CA-3	2	K	1004388
88	Non return valve B4C	2	K	1007293
89	Solenoid valve 24 VDC 04-211206-21	2	K	1033746
90	Solenoid valve 24 VDC 0330F30NBR	2	K	1034722
91	Filter B-4F-2	2		1012105
92	O-ring 19 x 3	2	K	1003281
93	O-ring 26 x 3	2	K	1003280
94	Gas injector	2	K	1033693
95	Seal	4	K	1063210
96	Hose 6,3 x 4,9 (not shown)	--		1014074
97	Mounting plate (not shown)	2		1034300



1.7.2 Block A, manifold, flowcontroller for gas lines



Pos.	Designation	Qty.	Cat.	Art. no.
100	Manifold	1		1012335
101	Blind plug B-1/4	3		1011177
102	Seal	3		1038662
103	Union piece B-6-TA-1-4RT	4		1004378
104	Union piece B-600-1-4RT	1		1007276
106	Flow controller F201AC N ₂ 0-10 NLPM	2	K	1009936
107	Connection cable (not illustrated)	2		1035743
108	Pressure regulator	1	K	1037115
109	Manometer	1	K	1007708
Manifold (see also page 7)				
60	Manifold block	1		1035007
67	Elbow union B-400-9	4		1007302
68	Elbow union B-400-2-2RT	2		1012115

PL 40222 EN 04 Released on: 31.03.2017