

Decoiling device Arc spraying


Parts List
PL 96960 EN 04




Oerlikon Metco Switzerland

Rigackerstrasse 16

CH-5610 Wohlen

 +41 56 618 81 81

 +41 56 618 81 00

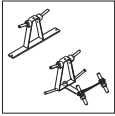
www.oerlikon.com/metco



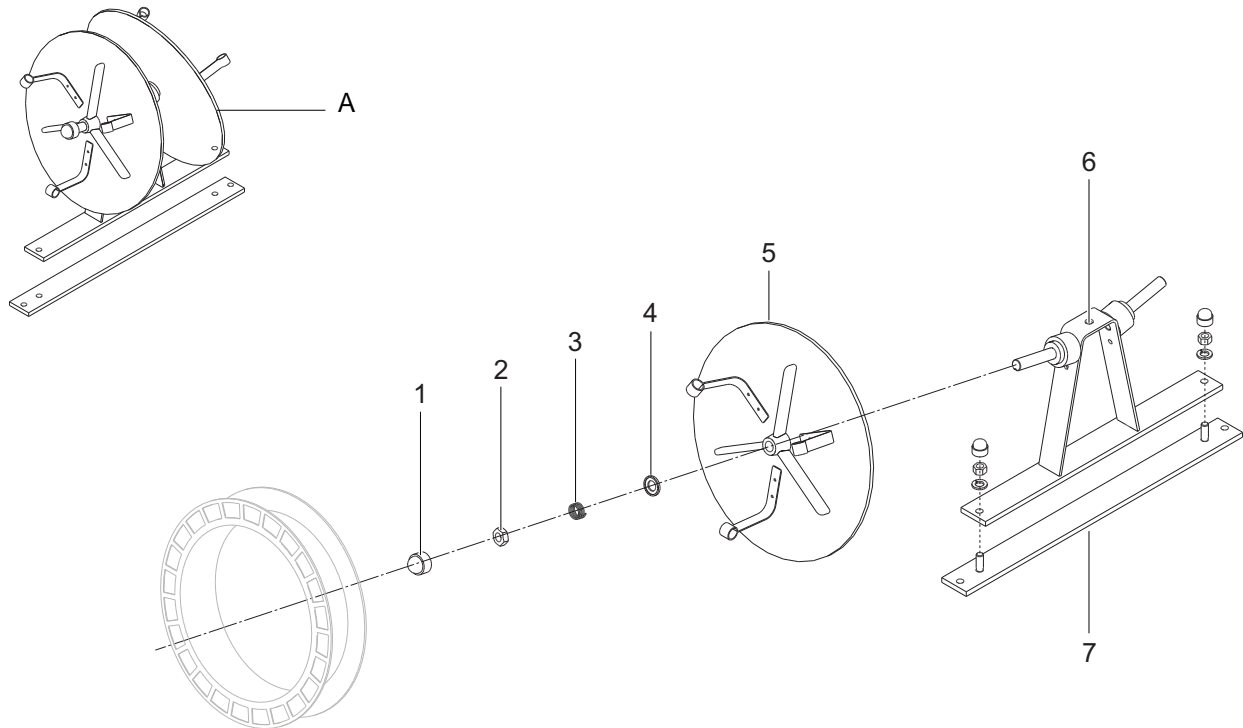
Warranty Disclaimer

Installing non-Oerlikon Metco spare parts on Oerlikon Metco equipment voids the product warranty.

1 Parts List

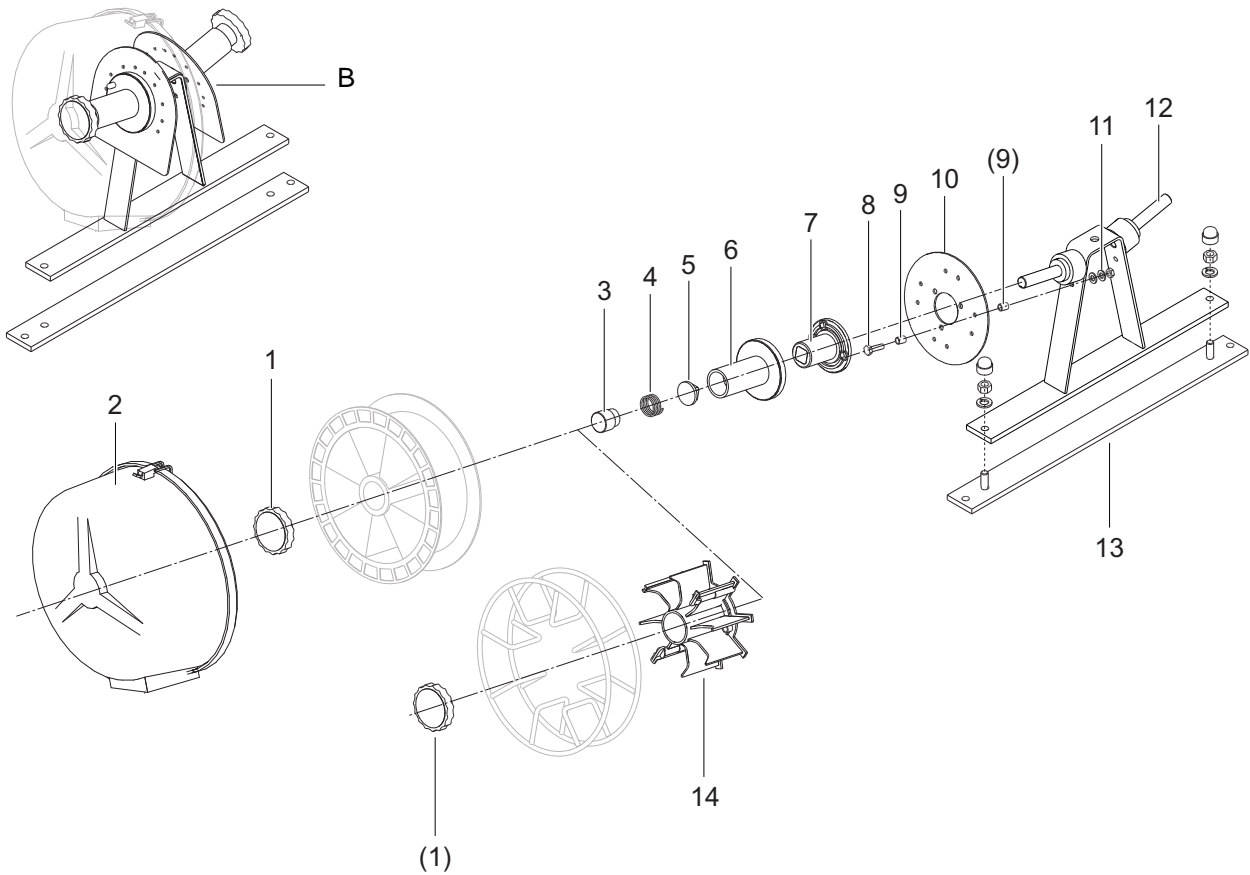


1.1 Hasp spool decoiling device for ECO ARC



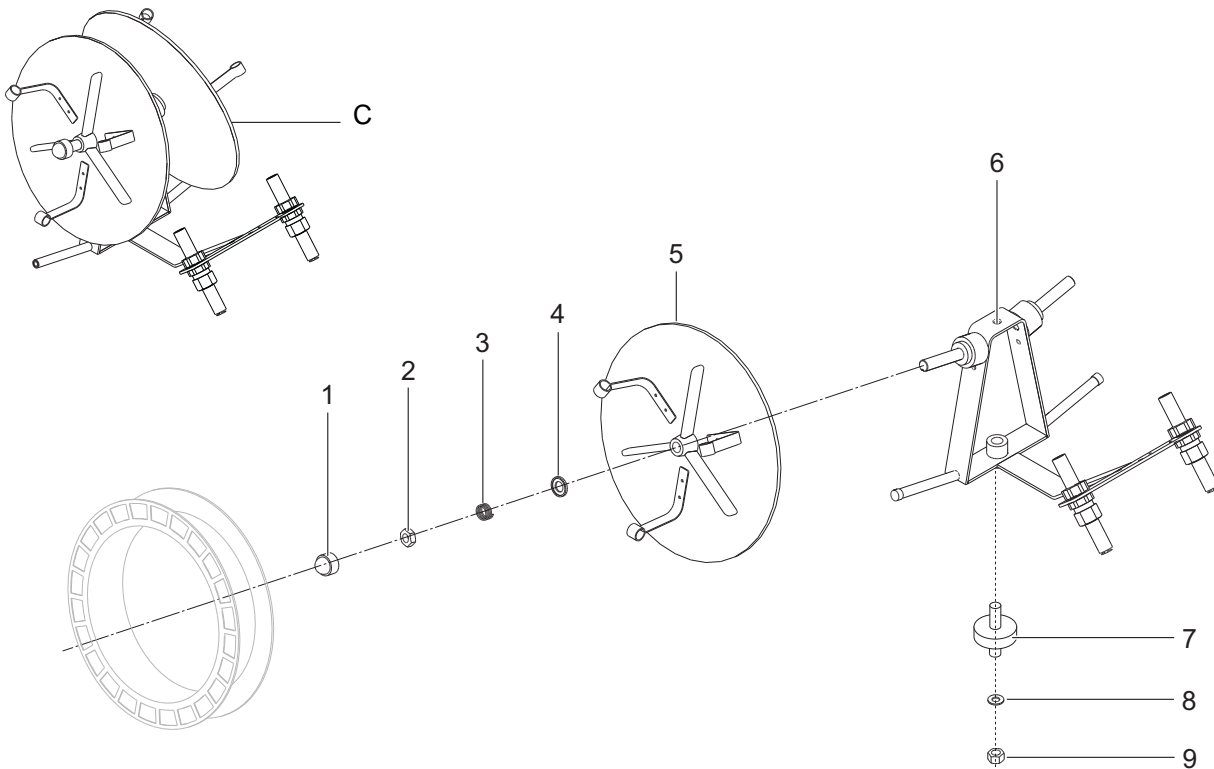
Pos.	Designation	Qty.	Item No.
A	Hasp spool decoiling device ECO ARC 350 (Pos. 1 - 6)		1066662
	Hasp spool decoiling device ECO ARC 600 (Pos. 1 - 7)		1066663
1	Cap SKS20 SW for SW30	2	1074370
2	Hexagon nut M20 DIN934 Zn	2	1074430
3	Pressure spring 4x25x25.5x2xC	2	1074376
4	Tab washer	2	1052804
5	Decoiling disk	2	1052803
6	Spool carrier ECO ARC 350 and ECO ARC 600	1	1063616
7	Adapter plate for spool carrier ECO ARC 600	1	1059370

1.2 US-Type/Dorn and basket spool decoiling device for ECO ARC



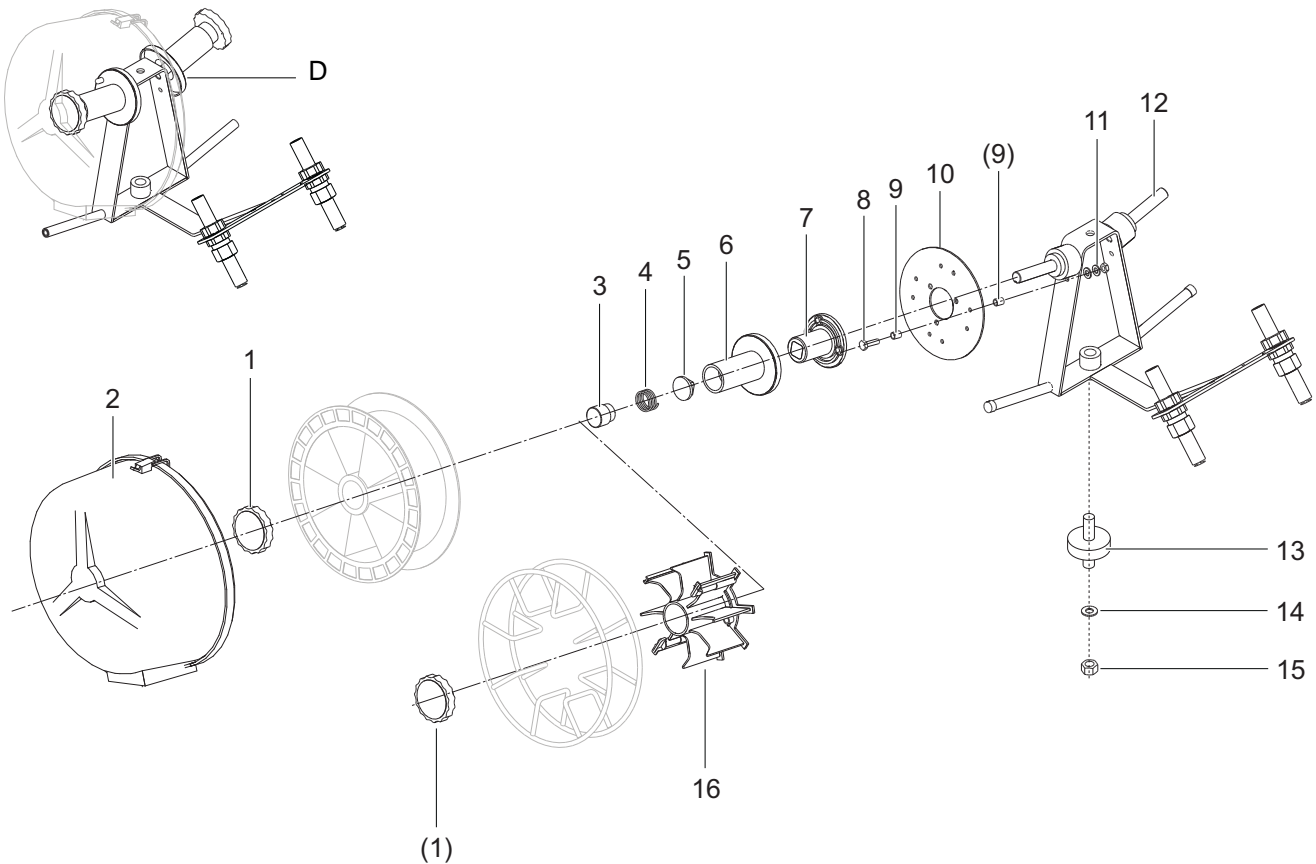
Pos.	Designation	Qty.	Item No.
B	US-type/dorn spool decoiling device ECO ARC 350 (Pos. 1 - 12)		1067023
	US-type/dorn spool decoiling device ECO ARC 600 (Pos. 1 - 13)		1067024
	Adapter for US-type/dorn spool (Pos. 1, 3 - 9, 11) - only available as set	2	1066781
2	Spool cover	2	1002210
10	Adapter plate for spool cover	2	1066778
11	Hexagon nut M5	2	1028570
	Tooth lock washer A M5 DIN6797 Zn	2	1074432
	Washer M5 DIN125 Zn	2	1066048
	Hexagon socket head screw M5x16 DIN7984 sw	2	1066144
12	Spool carrier ECO ARC 350 and ECO ARC 600	1	1063616
13	Adapter plate for spool carrier ECO ARC 600	1	1059370
Optional			
14	Adapter for basket spool	2	1052105

1.3 Hasp spool decoiling device for FLEXI ARC, CAP, TUBE, VISU ARC



Pos.	Designation	Qty.	Item No.
C	Hasp spool decoiling device (Pos. 1 - 6)		1066661
1	Cap SKS20 SW for SW30	2	1074370
2	Hexagon nut M20 DIN934 Zn	2	1074430
3	Pressure spring 4x25x25.5x2xC	2	1074376
4	Tab washer	2	1052804
5	Decoiling disk	2	1052803
6	Spool carrier	1	1066424
Not contained in the decoiling device:			
7	Pivot pin		1053750
8	Circlip A16 DIN127 Zn		1074422
9	Hexagon nut M16 DIN934 Zn		1074429

1.4 US-Type/Dorn and basket spool decoiling device for FLEXI ARC, CAP, TUBE, VISU ARC



Pos.	Designation	Qty.	Item No.
D	US-type/Dorn spool decoiling device (Pos. 1 - 12)		1067026
	Adapter for US-type/dorn spool (Pos. 1, 3 - 9, 11) - only available as set	2	1066781
2	Spool cover	2	1002210
10	Adapter plate for spool cover	2	1066780
11	Hexagon nut M5	2	1028570
	Tooth lock washer A M5 DIN6797 Zn	2	1074432
	Washer M5 DIN125 Zn	2	1066048
	Hexagon socket head screw M5x16 DIN7984 sw	2	1066144
12	Spool carrier	1	1066424
Not contained in the decoiling device:			
13	Pivot pin	1	1053750
14	Circlip A16 DIN127 Zn	1	1074422
15	Hexagon nut M16 DIN934 Zn	1	1074429
Optional			
16	Adapter for basket spool		1052105

PL 96960 EN 04 Released on: 11.05.2015