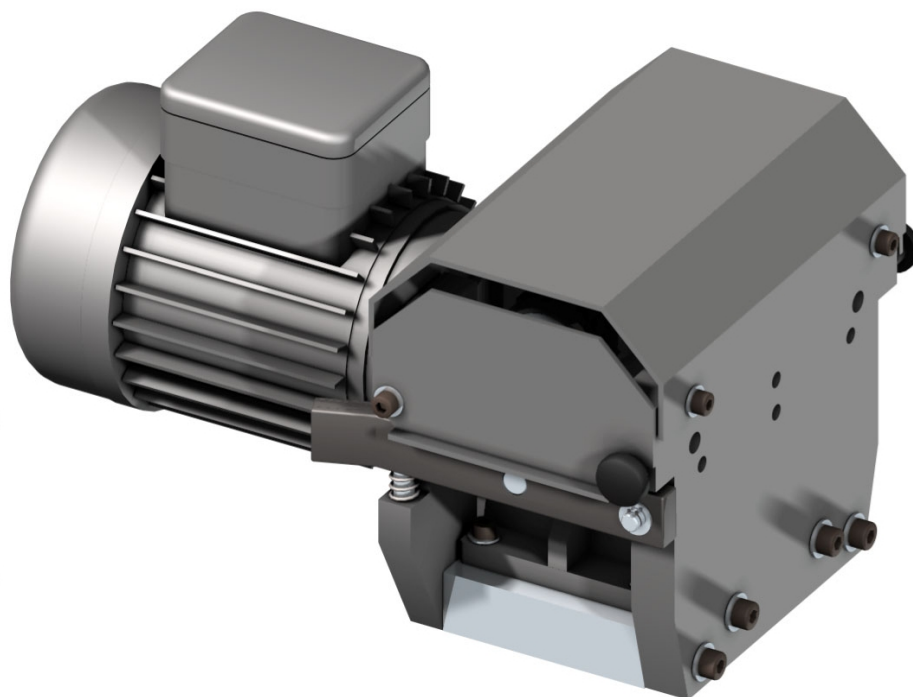


Wire feed gearbox Push 4

Arc spraying


Parts List
PL 96954 EN 04




Oerlikon Metco Switzerland

Rigackerstrasse 16

CH-5610 Wohlen

 +41 56 618 81 81

 +41 56 618 81 00

www.oerlikon.com/metco

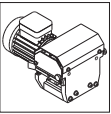


Warranty Disclaimer

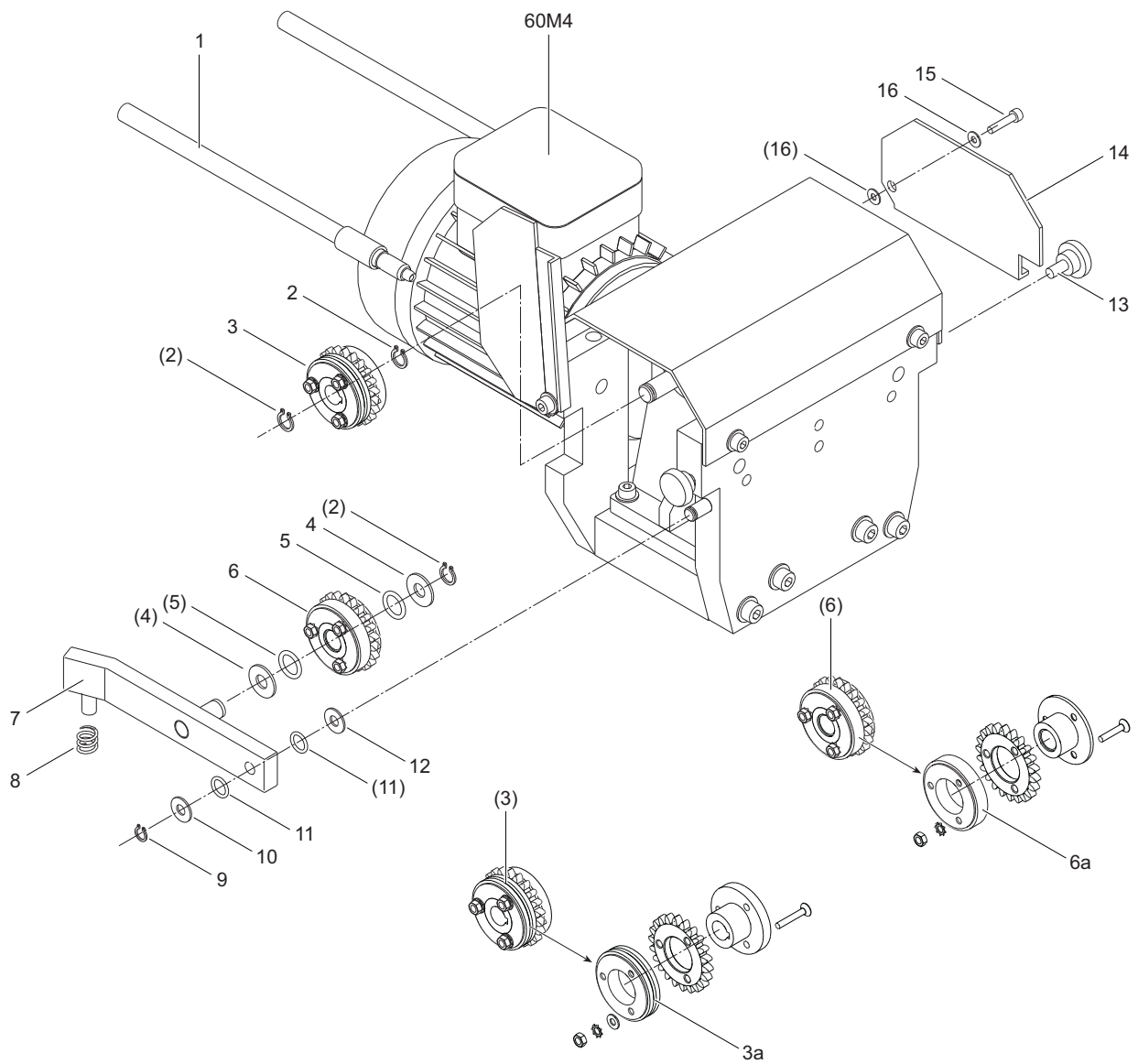
Installing non-Oerlikon Metco spare parts on Oerlikon Metco equipment voids the product warranty.

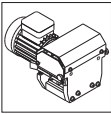
1 List of recommended spare parts

Pos.	Designation	Article No.
1	Wire Guide Tube short	1057234
3a	Replacement Ring for Drive Roll Ø 2.5 mm	1056484
6a	Replacement Ring Pressure Roller Ø 1.6-3.2 mm	1056485



2 Parts List Wire feed gearbox Push 4





Pos.	Designation		Article No.
	Module Push4 for ECO ARC 350	<i>Pos. 2 - 16, 60M4</i>	1057038
	Module Push4 for ECO ARC 600	<i>Pos. 2 - 16, 60M4</i>	1057045
1	Wire Guide Tube short		1057234
2	Retaining Ring 12x1 DIN471		1066487
3	Drive Roll	Ø 2.5 mm Spline Profile	1056515
3a	Replacement Ring for Drive Roll	Ø 2.5 mm	1056484
4	Adjusting Washer 12x18x0.2 DIN988		1066191
5	O-Ring NBR 12x1		1072225
6	Pressure Slip Roll	Ø 1.6 - 3.2 mm	1056489
6a	Replacement Ring Pressure Roller	Ø 1.6-3.2 mm	1056485
7	Pressure Lever complete (left)		1056472
	Pressure Lever complete (right)		1056471
8	Pressure Spring 2.2x12.8x20.8x3.5		1066186
9	Circlip A10x1		1066154
10	Distance Washer 10x22x0.3		1066149
11	O-Ring NBR 10x1		1066171
12	Washer M10 DIN125 Ms		1066068
13	Knurled Screw M6x30 0710		1054980
14	Cover Plate 2-parts (left & right)		1053267
15	Hexagon Socket Head Screw M5x16 DIN7984 sw		1066144
16	Washer M5 DIN125 Zn		1066048
60M4	Gear Motor Push 4 (20:1)	for ECO ARC 350	1055350
	Gear Motor Push 4 (12:1)	for ECO ARC 600	1055346

