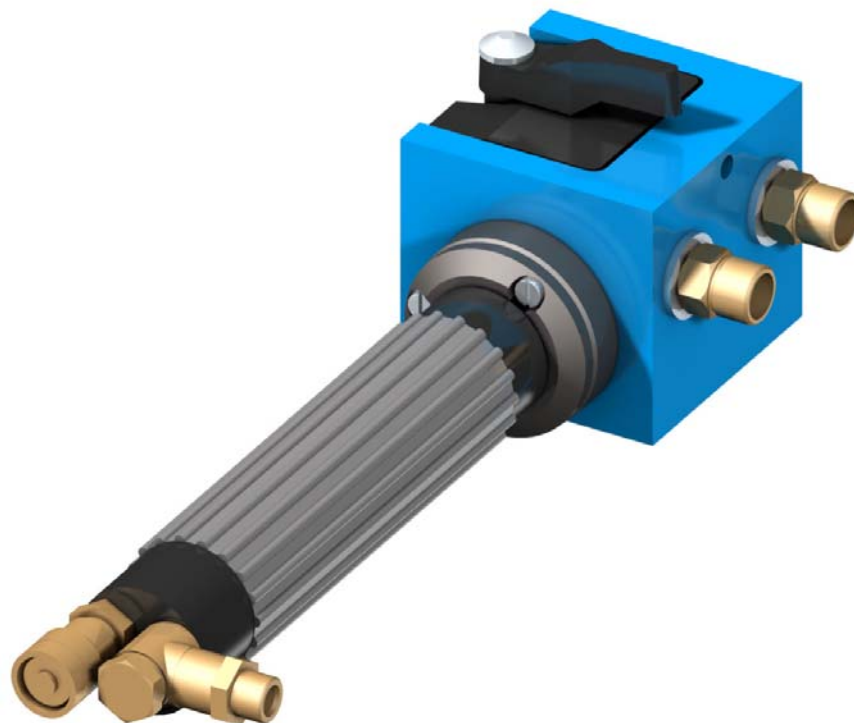


# Wire feed gearbox Push 1

## Arc spraying


Parts List  
PL 96951 EN 03




Oerlikon Metco Switzerland

Rigackerstrasse 16

CH-5610 Wohlen

 +41 56 618 81 81

 +41 56 618 81 00

[www.oerlikon.com/metco](http://www.oerlikon.com/metco)

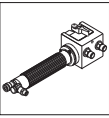


**Warranty Disclaimer**

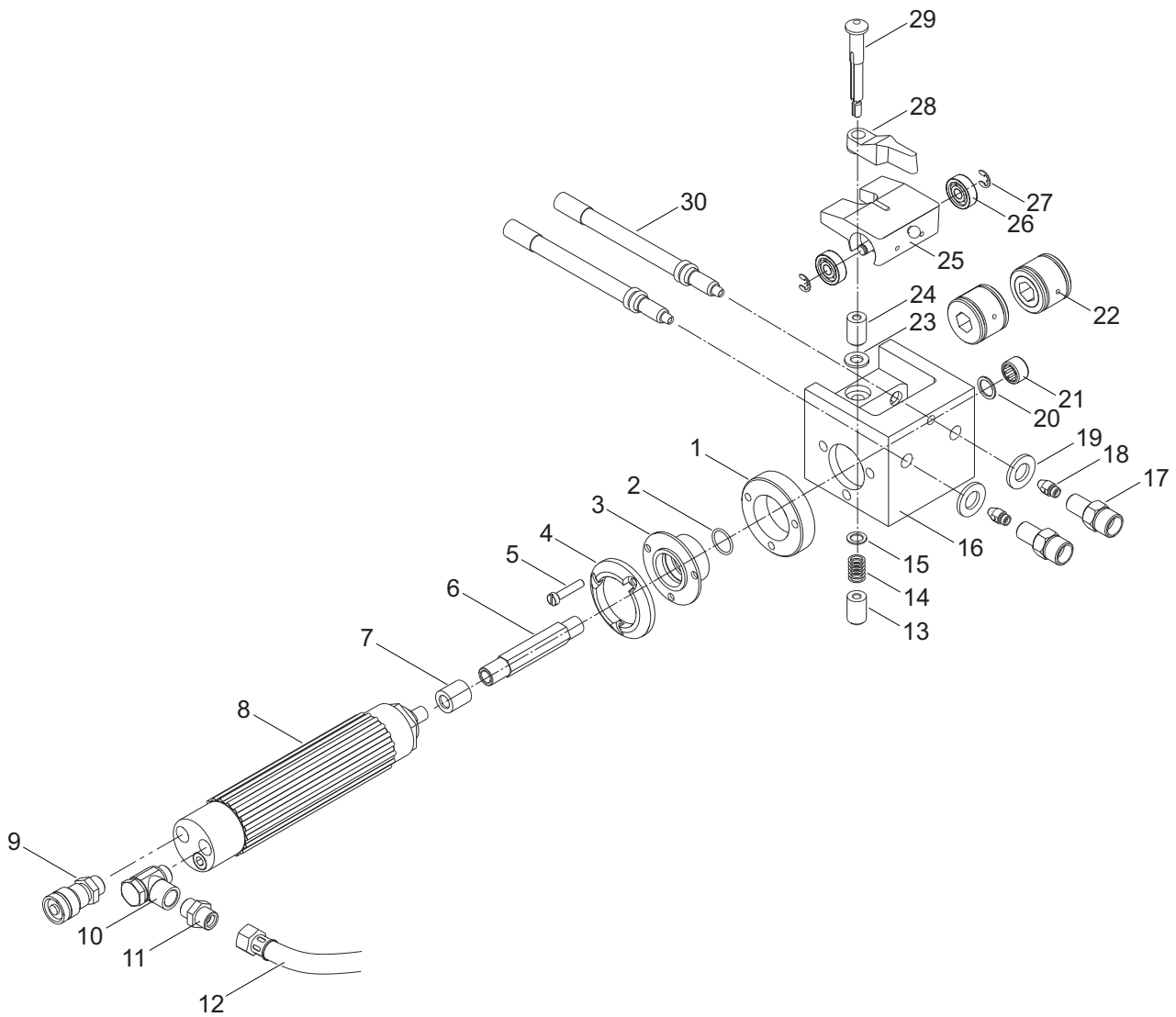
Installing non-Oerlikon Metco spare parts on Oerlikon Metco equipment voids the product warranty.

# 1 List of Recommended Spare Parts

Pos.	Designation	Article No.
<b>Push 1</b>		
	Drive roll      Ø 1.6 mm	1056423
22	Drive roll      Ø 2.0 mm	1056424
	Drive roll      Ø 2.5 mm	1056425
<b>Operating Resources</b>		
	Air Motor Oil	1055104
	Graphite Powder	1051844

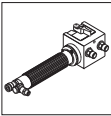


## 2 Parts List Wire feed gearbox Push 1



PL 96951 EN 03 Released on: 28.07.2014

Pos.	Designation	Article No.
	Moduel Push 1	1053819
	Drive complete with Air Motor	<i>incl. Pos. 6 - 11</i> 1056440
1	Base Plate	1053334
2	O-Ring Viton 16x1.5	1066177
3	Motor Flange	1056109
4	Collar	1053231
5	Fillister Head Screw M5x25 DIN84 Zn	1066042
6	Drive Shaft	1056399
7	H-Sleeve	1053243
8	Air Motor MD-Z-150	1056087



Pos.	Designation	Article No.
9	Control Valve complete	1054145
10	Swivel Connector complete	<i>incl. Pos. 11</i> 1053786
11	Double Nipple	1053740
12	Air Supply Push-Gear	1053792
13	Adjusting Nut	1053236
14	Pressure Spring 2x10.2x22.5x4.5	1066188
15	Washer	1053235
16	Gear Housing	1053414
17	Connector	1053333
18	Wire Guide Nozzle Push 1 Ø1.6 - 2.0 mm	1056360
	Wire Guide Nozzle Push 1 Ø2.5 mm - 1/8"	1056361
19	Washer M12 DIN125 Ms	1066070
20	Seal Ring	1052735
21	Needle Bearing BK1210	1052851
22	Drive roll Ø 1.6 mm	1056423
	Drive roll Ø 2.0 mm	1056424
	Drive roll Ø 2.5 mm	1056425
23	Washer M8 DIN125 Zn	1070267
24	Distance Sleeve	1053234
25	Pressure Plate	<i>incl. Pos. 26 - 27</i> 1052773
26	Deep Groove Ball Bearing 627-2RS	1055414
27	Circlip A7x0.8 DIN471	1066153
28	Pressure Lever	1056428
29	Adjusting Shaft	1053233
30	Wire Insulating Tube 0.2 m	1054236

