

# Spraying device LD/U2E

## Arc spraying

Parts List


PL 96937 EN 02




## Oerlikon Metco AG Switzerland

Rigackerstrasse 16

CH-5610 Wohlen

 +41 56 618 81 81

 +41 56 618 81 00

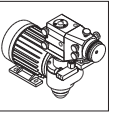
[www.oerlikon.com/metco](http://www.oerlikon.com/metco)



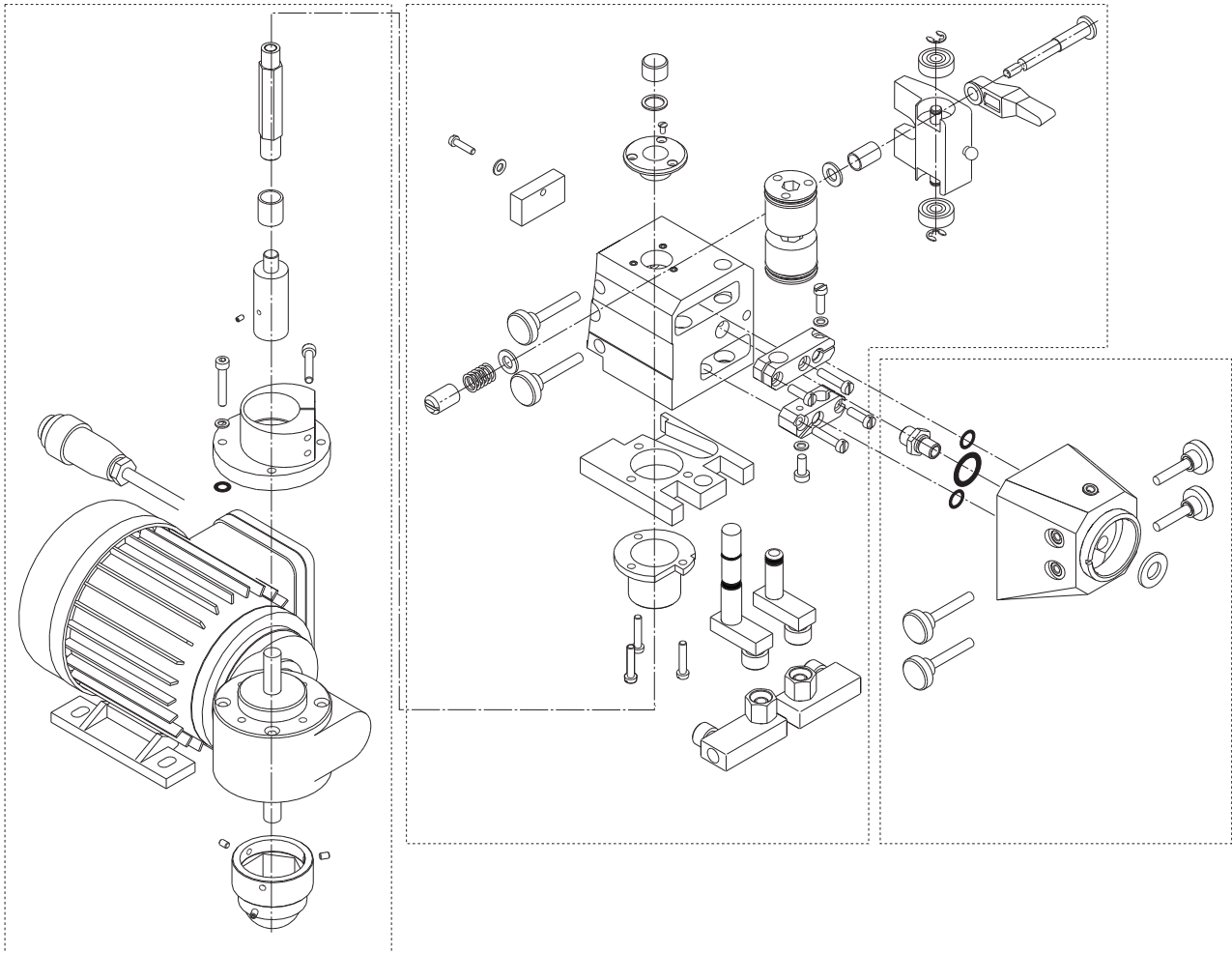
### **Warranty Disclaimer**

Installing non-Oerlikon Metco spare parts on Oerlikon Metco equipment voids the product warranty.

# 1 Parts list

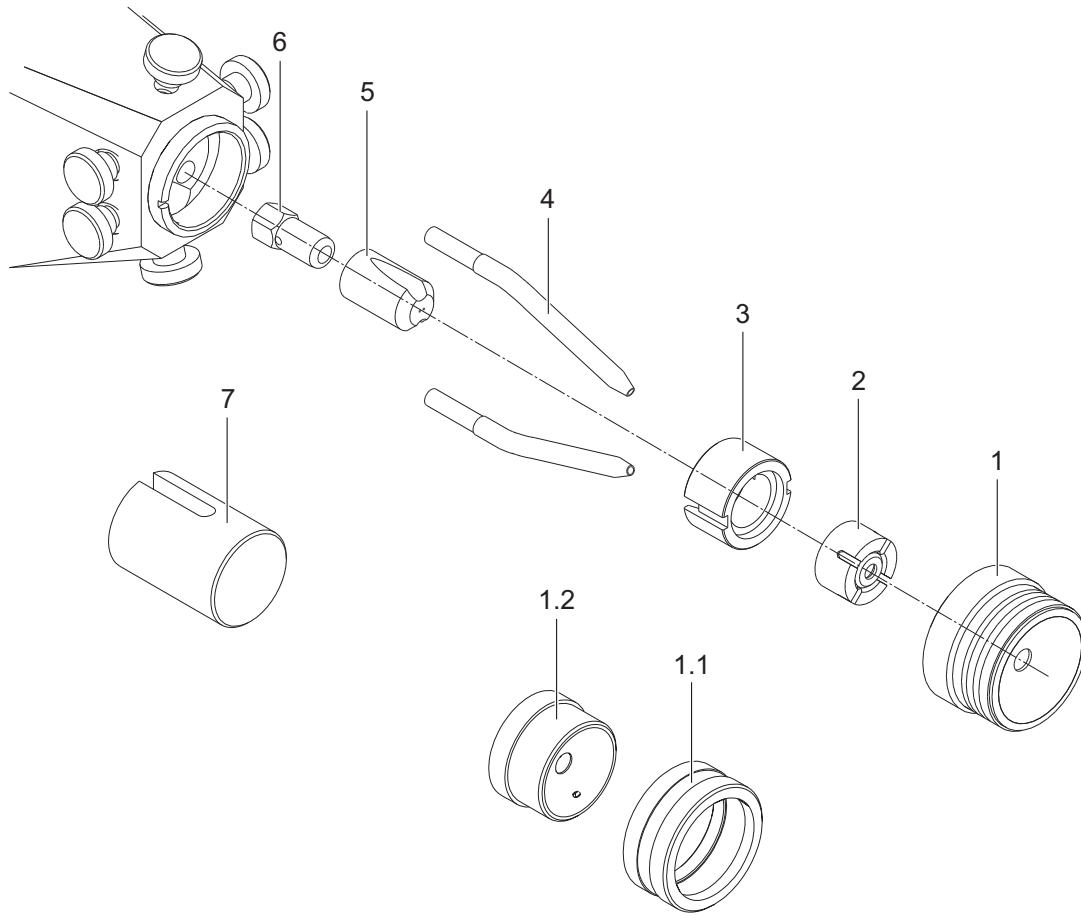


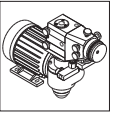
## 1.1 Assembly overview (without nozzle system)



PL 96937 EN 02 Released on: 02.06.2015

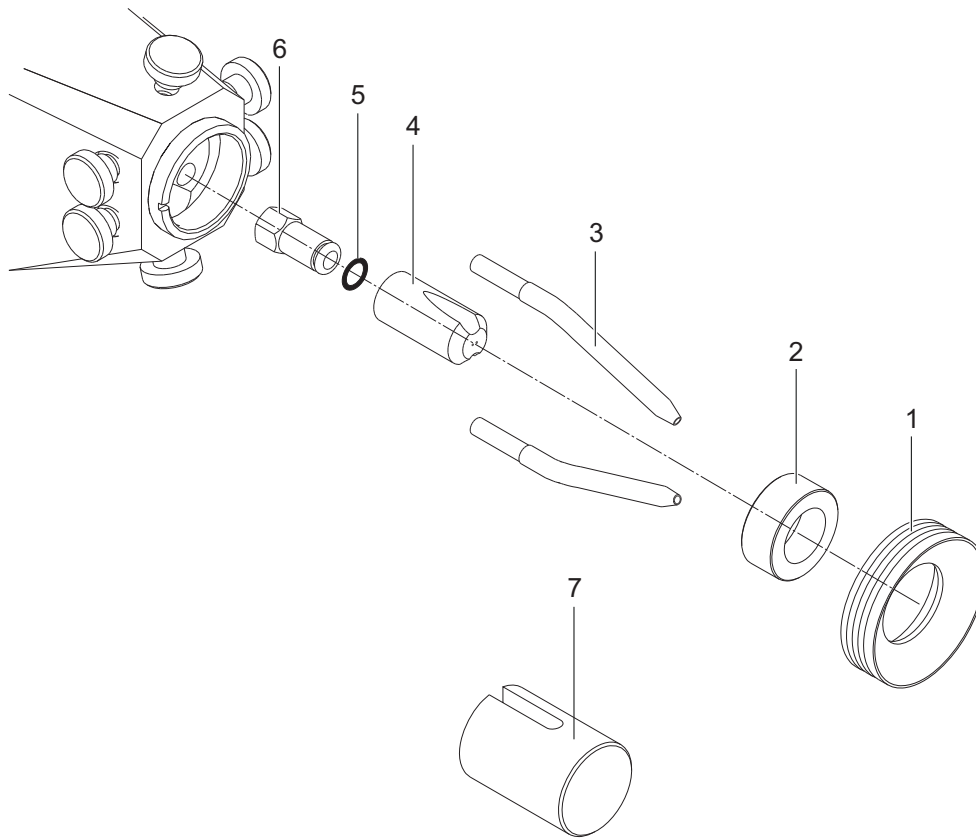
## 1.2 Closed nozzle system





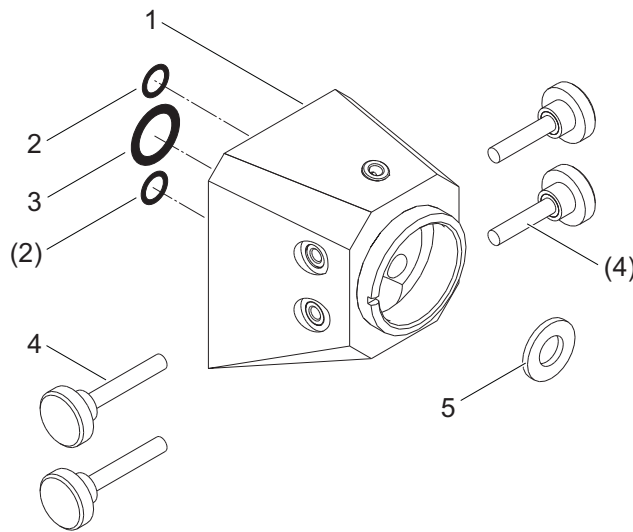
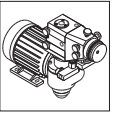
Pos.	Designation	Article No.
1	Radial Nozzle Nut	1053738
1.1	Fan Spray Nozzle Nut	1053684
1.2	Fan Spray Nozzle	1053683
2	Gas Nozzle Ø 1.6 - 2.0 mm	1056259
	Gas Nozzle Ø 2.5 mm	1056257
3	Cover Ring	1053736
4	Contact Nozzle Ø 1.6 mm	1056118
	Contact Nozzle Ø 1.6 mm (for Al)	1056129
	Contact Nozzle Ø 2.0 mm	1056120
	Contact Nozzle Ø 2.0 mm (for Al)	1056130
	Slot Contact Nozzle Ø 2.0 mm	1056251
	Contact Nozzle Ø 2.5 mm	1056122
	Contact Nozzle Ø 2.5 mm (for Al)	1056131
	Slot Contact Nozzle Ø 2.5 mm	1056252
5	Atomizer Nozzle (2-hole)	1056134
6	Air Nozzle Tube	1056108
7	Nozzle Adjusting Device	1053252

### 1.3 Open nozzle system



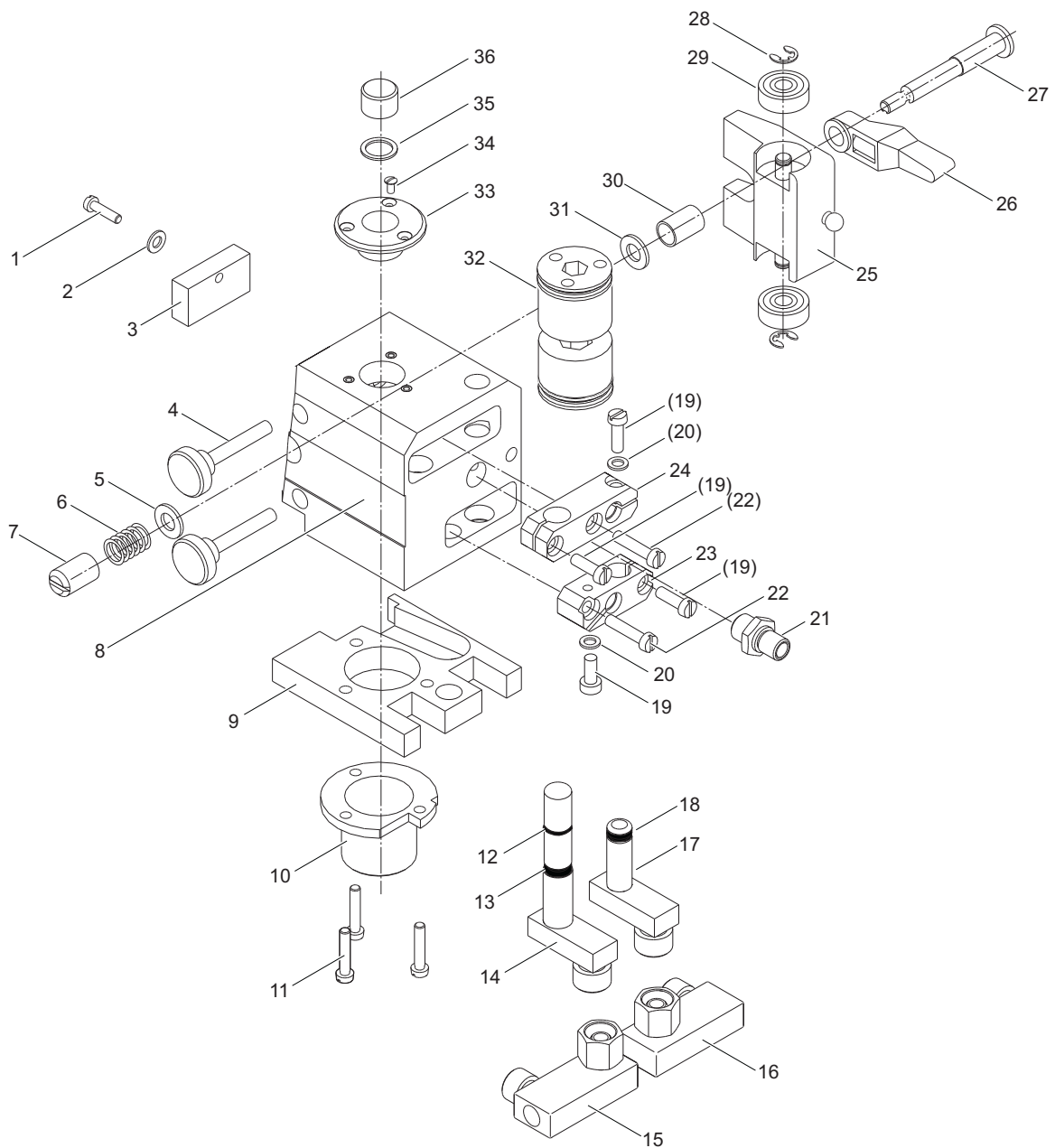
Pos.	Designation	Article No.
1	Arc Shield	1053239
2	Cover Ring	1053238
3	Contact Nozzle Ø 1.6 mm	1056118
	Contact Nozzle Ø 1.6 mm (for Al)	1056129
	Contact Nozzle Ø 2.0 mm	1056120
	Contact Nozzle Ø 2.0 mm (for Al)	1056130
	Contact Nozzle Ø 2.5 mm	1056122
	Contact Nozzle Ø 2.5 mm (for Al)	1056131
4	Atomizer Nozzle (2-Hole) Size 1 Ø 1.6 - 2.0 mm	1056133
	Atomizer Nozzle (2-Hole) Size 2 Ø 2.5 mm	1056136
5	O-Ring NBR 10x1.5 mm	1066172
6	Air Nozzle Tube	1056396
7	Nozzle Adjusting Device	1053252

## 1.4 Spray head



Pos.	Designation	Article No.
1	Spray Head LD/U2 ( <i>incl. Pos. 2, 3</i> )	1052774
2	O-Ring NBR 9x1.5 mm	1066169
3	O-Ring NBR 22x2 mm	1066181
4	Knurled Screw M6x30	1054980
5	Washer for Air Nozzle Tube	1053250

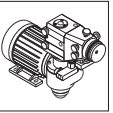
## 1.5 Gear housing



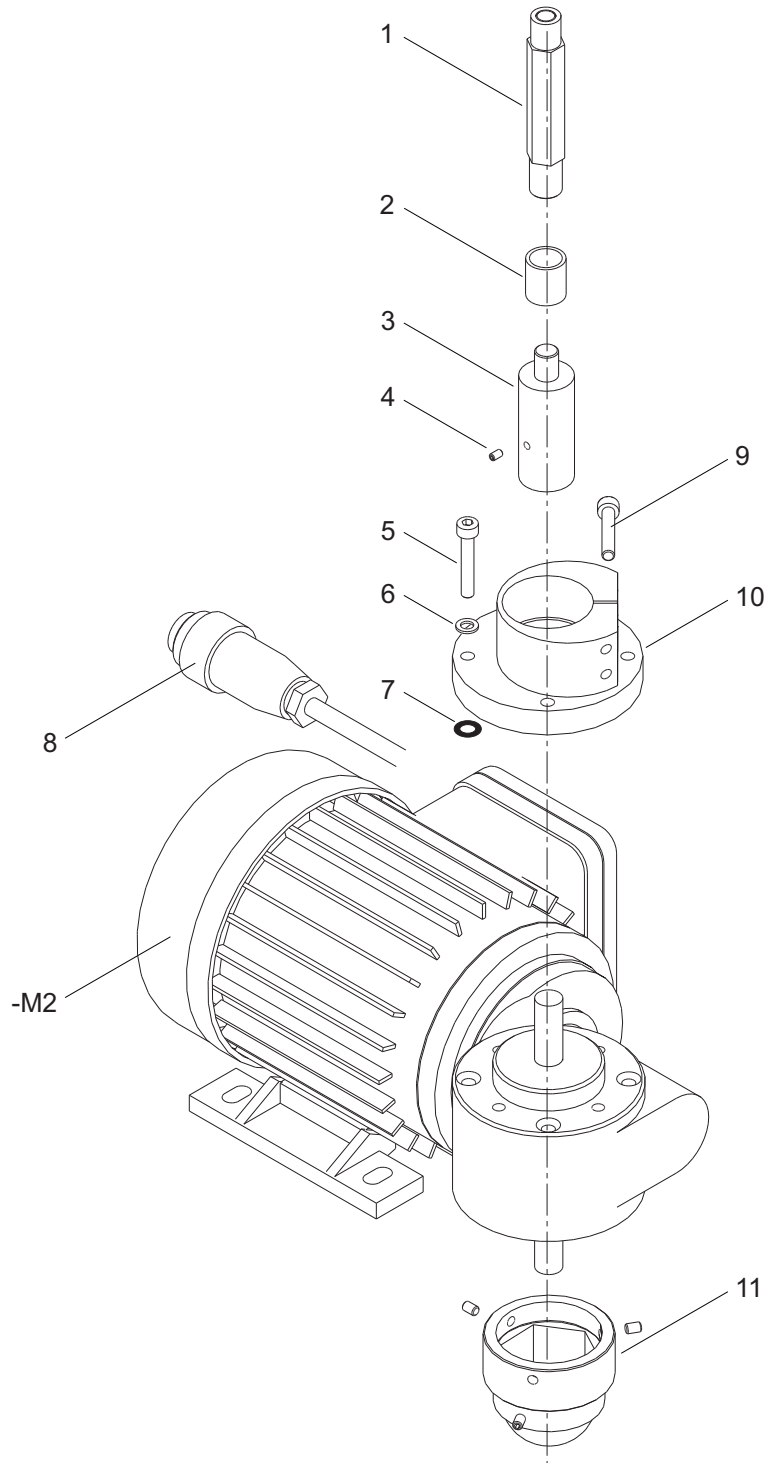
Pos.	Designation	Article No.
1	Fillister Head Screw M4x16 DIN84 Zn	1074452
2	Washer M4 DIN125 Zn	1066047
3	Covering Plate	1053251
4	Knurled Screw M6x40 120°	1056112
5	Washer	1053235
6	Pressure Spring 2x10.2x22.5x4.5	1066188
7	Adjusting Nut	1053236
8	Gear Housing	1052770



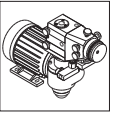
Pos.	Designation	Article No.
9	Base Plate	1053229
10	Dome	1056167
11	Fillister Head Screw M5x25 DIN84 Zn	1066042
12	O-Ring NBR 10x1 mm	1066171
13	O-Ring NBR 10x1.5 mm	1066172
14	By-Pass (long) (incl. Pos. 12, 13)	1052772
15	Current-Air-Adapter (right)	1056598
16	Current-Air-Adapter (left)	1056599
17	By-Pass (short) (incl. Pos. 18)	1052771
18	O-Ring NBR 8.5x1.5 mm	1066157
19	Fillister Head Screw M5x16 DIN84 Zn	1066040
20	Washer M5	1052740
21	Extension Insert Compressed Air	1052738
22	Fillister Head Screw M5x20 DIN84 Zn	1066041
23	Contact Plate (lower)	1052739
24	Contact Plate (upper)	1053228
25	Pressure Plate (incl. Pos. 28, 29)	1052773
26	Pressure Lever	1056428
27	Adjusting Shaft	1053233
28	Circlip A7x0.8 DIN 471	1066153
29	Deep Groove Ball Bearing 627-2RS	1055414
30	Distance Sleeve	1053234
31	Washer M8 DIN125 Zn	1066051
	Drive Roll Ø 1.6 mm Knurled Profile	1056412
	Drive Roll Ø 1.6 mm Spline Profile	1056405
	Drive Roll Ø 1.6 mm Spline Profile (polished)	1056418
	Drive Roll Ø 2.0 mm Knurled Profile	1056413
32	Drive Roll Ø 2.0 mm Spline Profile	1056407
	Drive Roll Ø 2.0 mm Spline Profile (polished)	1056419
	Drive Roll Ø 2.5 mm Knurled Profile	1056414
	Drive Roll Ø 2.5 mm Spline Profile	1056409
	Drive Roll Ø 2.5 mm Spline Profile (polished)	1056420
33	Bearing Housing	1052733
34	Raised Countersunk Head Screw M3x8 DIN964 Ni	1066131
35	Seal Ring	1052735
36	Needle Bearing BK1210	1052851



### 1.6 E-Motor with drive shaft

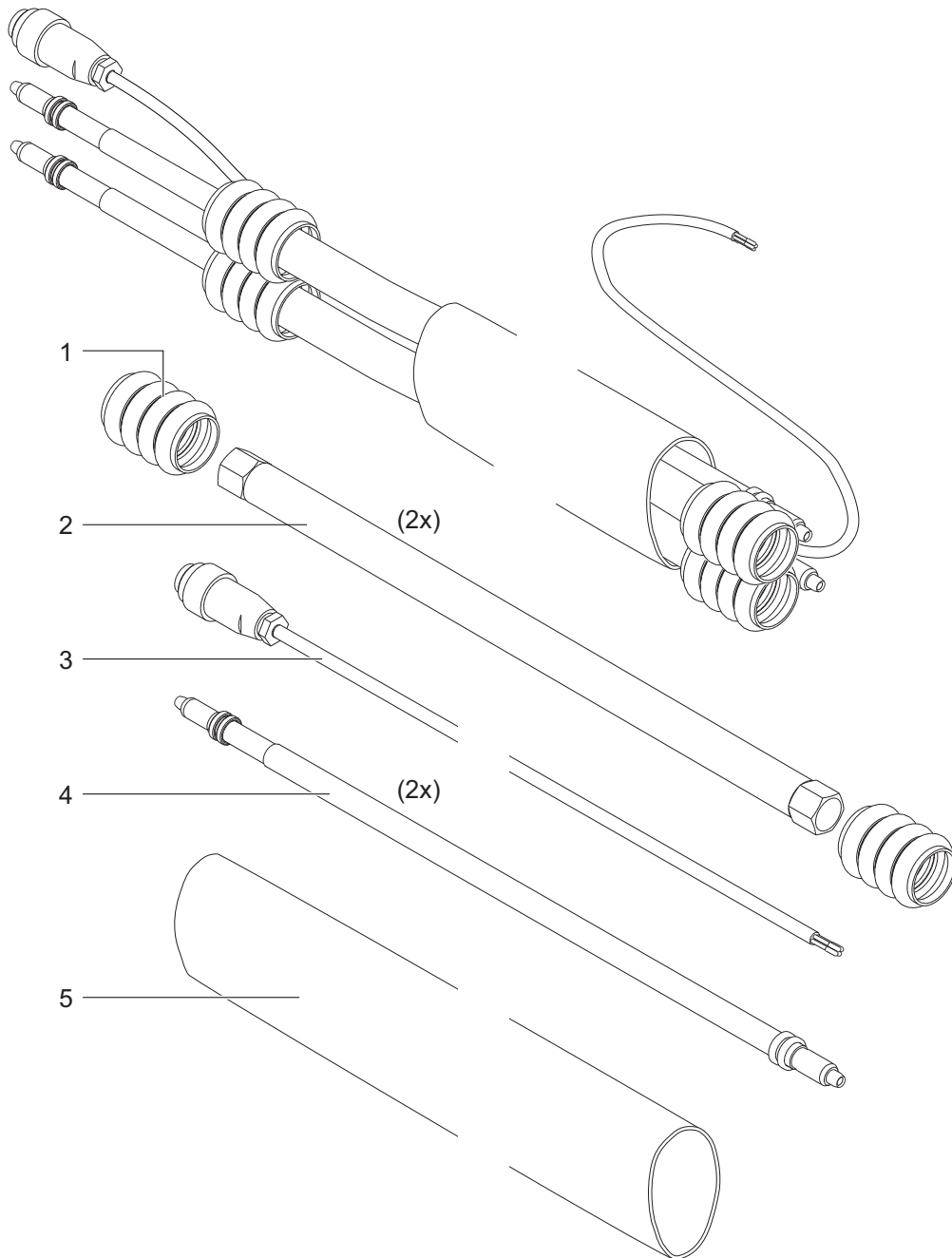


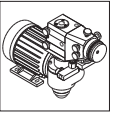
PL 96937 EN 02 Released on: 02.06.2015



Pos.	Designation	Article No.
	Drive complete with AC-Motor	1056436
1	Drive Shaft	1053360
2	H-Sleeve	1053243
3	Coupling	1056165
4	Setscrew M4x5 DIN913 45H	1069287
5	Hexagon Socket Screw M5x30 (torque: 4.8 - 5.2 Nm)	1072322
6	Cu-Seal Ring 5x7.5x1 DIN7603A	1067030
7	O-Ring NBR 5.3x2.4 mm	1054386
8	Cable Plug 6-pol. PG13.5	1055305
9	Hexagon Socket Screw M5x30	1072322
10	Grip Head	1056166
11	Protective Cover for Motor Shaft	1056437
-M2	Three Phase Current Motor with Gear	1055329

## 1.7 Hose package





Pos.	Designation	Article No.
	Hose Package compl. 5.5 m ( <i>incl. Pos. 1 - 5</i> )	
1	Bellows Current-Air Connection	1052392
2	Current air/hose 5.5 m	1075413
3	Control Cable 5.5 m	
4	Insulated Wire Guide Hose 5.5 m	1075414
5	External Hose 45x1.5 mm ( <i>material sold by the meter</i> )	1053518

PL 96937 EN 02 Released on: 02.06.2015

## 1.8 List of recommended spare parts for stock keeping

Designation	Article No.	Illustration	Pos.		
<b>LD/U2E</b>					
Gas Nozzle Ø 1.6 - 2.0 mm	1056259	page 4	2		
Gas Nozzle Ø 2.5 mm	1056257				
Contact Nozzle Ø 1.6 mm	1056118	page 4	4		
Contact Nozzle Ø 1.6 mm (for Al)	1056129				
Contact Nozzle Ø 2.0 mm	1056120				
Contact Nozzle Ø 2.0 mm (for Al)	1056130				
Slot Contact Nozzle Ø 2.0 mm	1056251				
Contact Nozzle Ø 2.5 mm	1056122				
Contact Nozzle Ø 2.5 mm (for Al)	1056131				
Slot Contact Nozzle Ø 2.5 mm	1056252				
Drive Roll Ø 1.6 mm Knurled Profile	1056412			page 8	32
Drive Roll Ø 1.6 mm Spline Profile	1056405				
Drive Roll Ø 1.6 mm Spline Profile (polished)	1056418				
Drive Roll Ø 2.0 mm Knurled Profile	1056413				
Drive Roll Ø 2.0 mm Spline Profile	1056407				
Drive Roll Ø 2.0 mm Spline Profile (polished)	1056419				
Drive Roll Ø 2.5 mm Knurled Profile	1056414				
Drive Roll Ø 2.5 mm Spline Profile	1056409				
Drive Roll Ø 2.5 mm Spline Profile (polished)	1056420				
<b>Hose Package</b>					
Insulated Wire Guide Hose 5.5 m	1075414	page 12	4		
<b>Operating Resources</b>					
PTFE-Spray	1051832				
Contact Grease	1051843	--	--		
Graphite Powder	1051844				
Nozzle Cleaner	1051845				