

9MP-CL20 Powder Feeder

Plasma / Combustion Spraying

Parts List

PL 87068 EN 07





PL 87068 EN 07 Released on: 07/02/2018

Oerlikon Metco (US) Inc.

1101 Prospect Avenue

Westbury NY 11590

 +1 516 334 1300

 +1 516 338 2414

www.oerlikon.com/metco

Spare Parts Categories

C = Consumable Parts

Parts subjected to major wear during normal operation. These parts require replacement on a regular basis.

Recommended in order to avoid downtimes.

W = Wear Parts

Parts used for maintenance service. These parts are likely and expected to wear out during the life of the product.

Wear parts are not subject to warranty.

K = Critical Parts

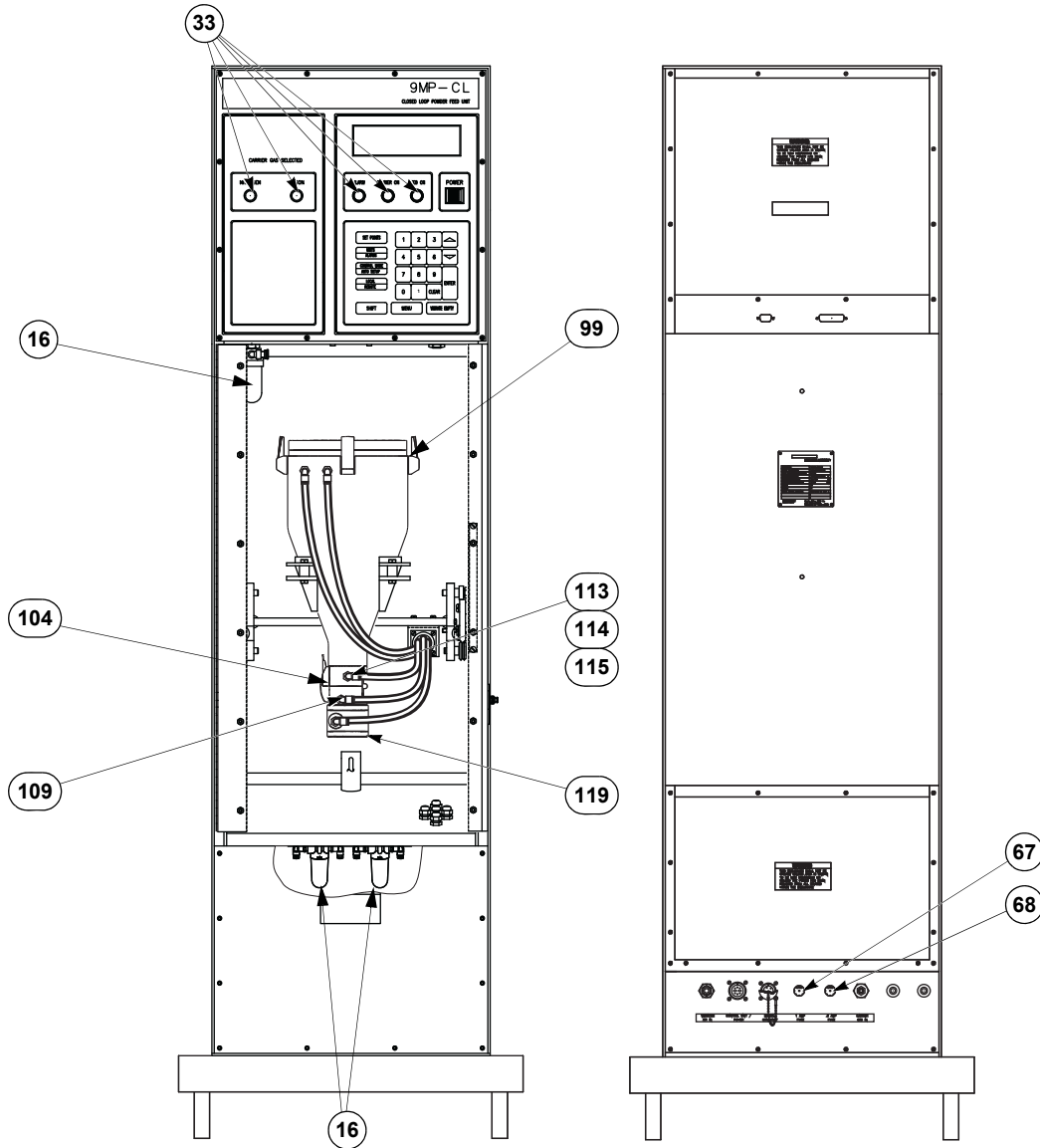
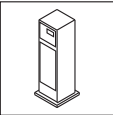
Parts recommended in order to guarantee maximum availability of component. This prevents downtime caused by delay in procurement.



Warranty Disclaimer

Installing non-Oerlikon Metco spare parts on Oerlikon Metco equipment voids the product warranty.

1 List of Recommended Spare Parts for 9MP-CL20



9mp_spares

Item No.	Description	Qty.	Cat	Catalog No.	Order No.
16	Filter Element	3	C	6MP427	1001335
33	Neon Bulb (pkg. 3)	5	K	KR414	1002022
67	Fuse (1 amp, 3AG, Slo-Blo) (pkg. 5)	1	K	3M574	1000706
68	Fuse (0.5 amps, 3AG, Slo-Blo) (pkg. 5)	1	K	9MP51	1001719
99	Hopper Latch Package	1	W	4MP144	1000879
104	Hopper Base Latch	1	W	4MP188	1000895
109	Hopper Base Filter Package	1	C	4MP164	1000889
113	Powder Port Shaft Assembly "A"	1	C	4MP153	1000884
114	Powder Port Shaft Assembly "B"	1	C	4MP156	1000887
115	Powder Port Shaft Assembly "C"	1	C	4MP157	1000888
119	Turbine Vibrator Assembly	1	W	9MP58506	1059221
166	Spare Seal Package	1	W	9MP63	1001727

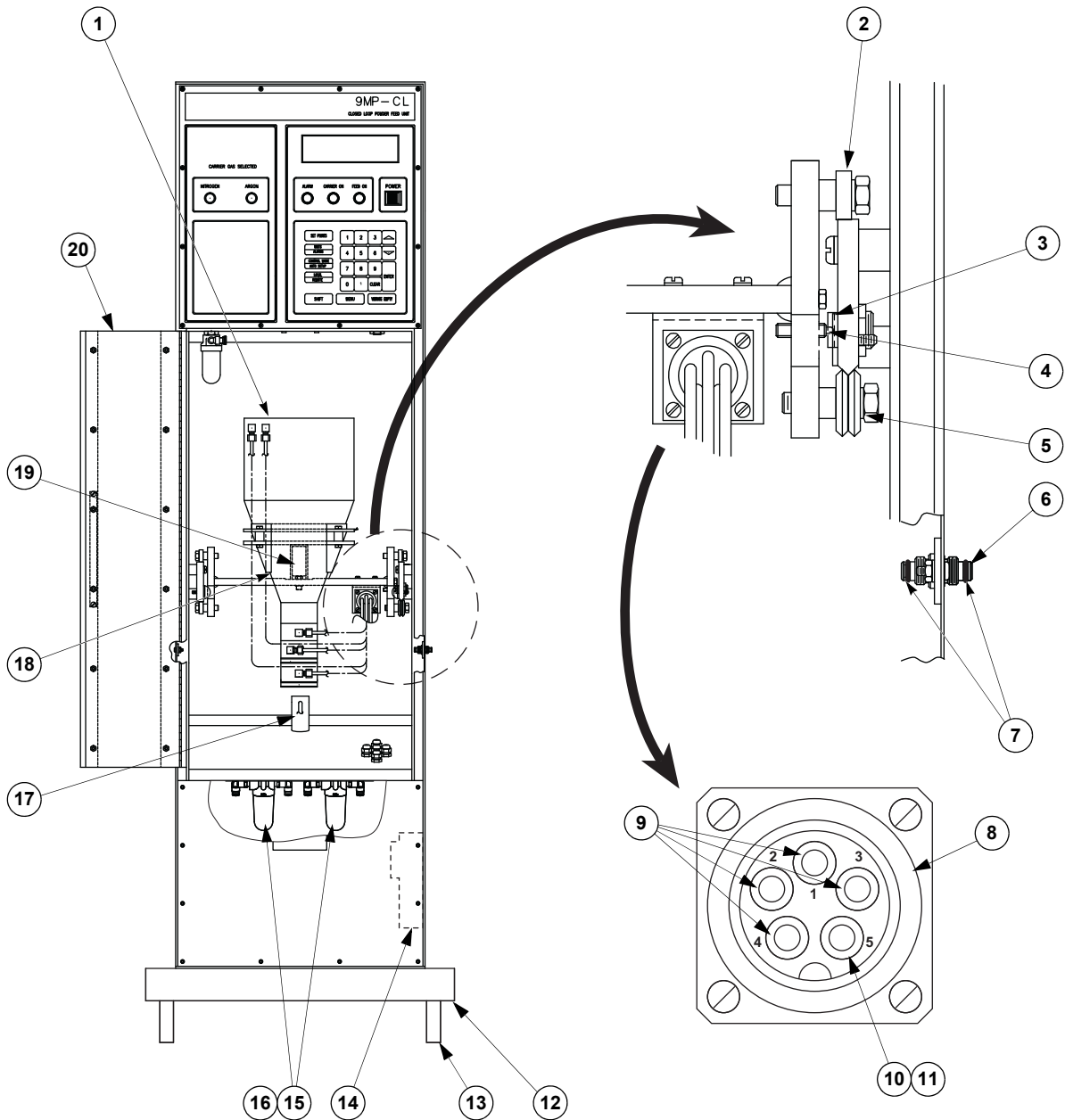
2 Parts List for 9MP-CL20 Powder Feeder

9MP-CL20 Powder Feeder

9MP-CL20

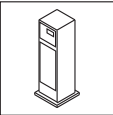
1034884

2.1 Cabinet and Hopper Carriage



9mp-cl20_cabinet

PL 87068 EN 07 Released on: 07/02/2018

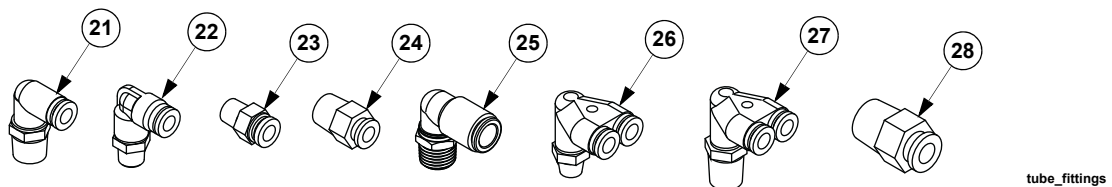


Item No.	Description	Qty.	Catalog No.	Order No.
1	Hopper Assembly (See "Hopper Assembly" on page 12.)	1	9MP40	1001715
2	Ball Bearing	3	RG69	1002359
3	Detent Button	2	9MP11	1032492
4	Spring Plunger	1	9MP13	1032495
5	Guide Wheel	2	9MP12	1036953
6	Bulkhead Fitting	1	4MP811	1000931
7	O-ring, 0.208 X 0.070 (pkg. 2)	2	6MP129	1001323
8	Multitube Socket	1	9MP14	1001694
9	Socket Terminal	4	ATC603	1021557
10	Plug Terminal	1	ATC609	1001762
11	O-ring, 0.170 X 0.048 (pkg. 5)	1	DJP13	1001904
12	Truck Assembly (includes item 13)	1	9MP67	1005534
13 (1)	Swivel Caster	4	9MP20554	1062053
14	DH 9MP KPL (KD485) Interface Assembly (programmed)	1	910350-19	1012655
15	Filter	2	6MP426	1001334
16	Filter Element	2	6MP427	1001335
17	Exhaust Pinch Valve Assembly	1	9MP45	1001718
18	Vibration Isolation Pad	1	9MP40915	1005538
19	Load Cell	1	9MP70	1001730
20	Cabinet Door	1	9MP10	1039193

1. Original casters are welded to truck. Remove and replace wheel and axial only.

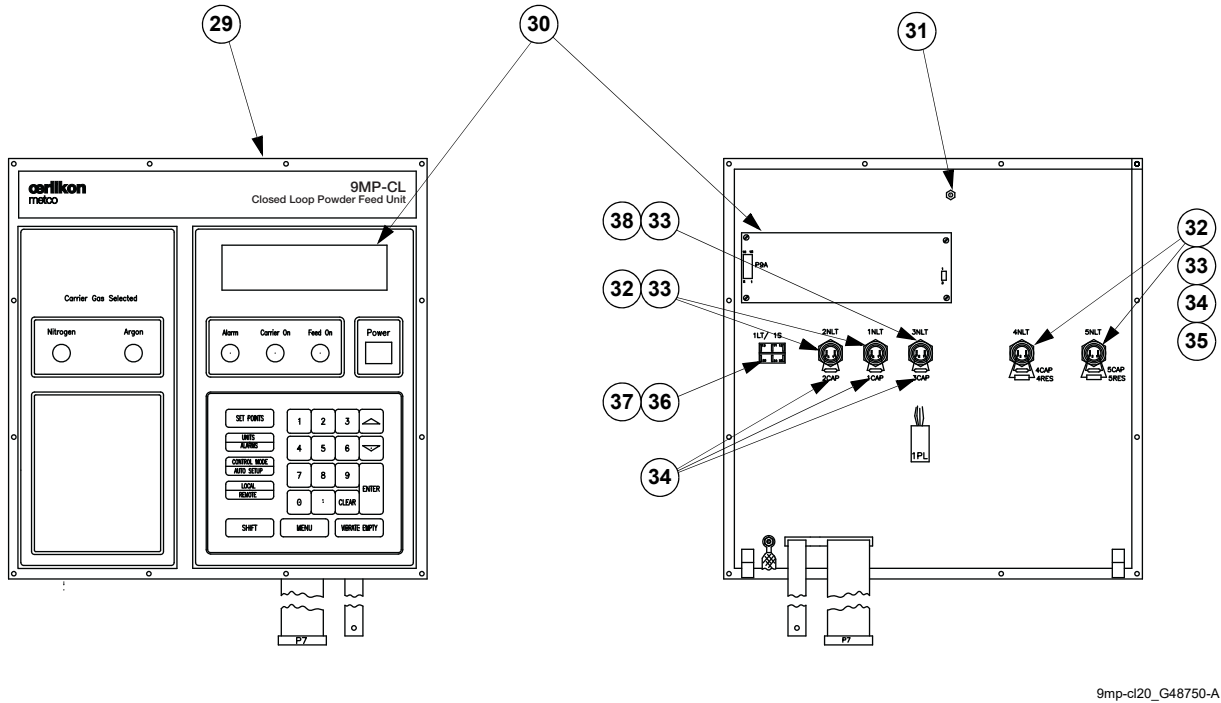
2.2 Tube Fittings

Some of the tube fittings below are used throughout the 9MP-CL20. They are not indexed or identified in the parts list. Use the descriptions below to identify them for replacement.



Item No.	Description	Catalog No.	Order No.
21	Elbow, 1/4" Tube X 1/4" NPTM	9MPDJ45600	1038054
22	Elbow, 1/4" Tube X 1/8" NPTM	9MPDJ45601	1038055
23	Tube Fitting, 1/4" Tube X 1/8" NPTM	PPC45602	1064437
24	Tube Fitting, 1/4" Tube X 1/4" NPTM	9MP45603	1083012
25	Elbow, 3/8" Tube X 1/4" NPTM	9MP45605	1083013
26	Elbow Wye, 1/4" Tube X 1/8" NPTM	9MP49493	1083014
27	Elbow Wye, 1/4" Tube X 1/4" NPTM	9MP49494	1083015
28	Tube Fitting, 1/2" Tube X 1/2" NPTM	PPC51488	1064436

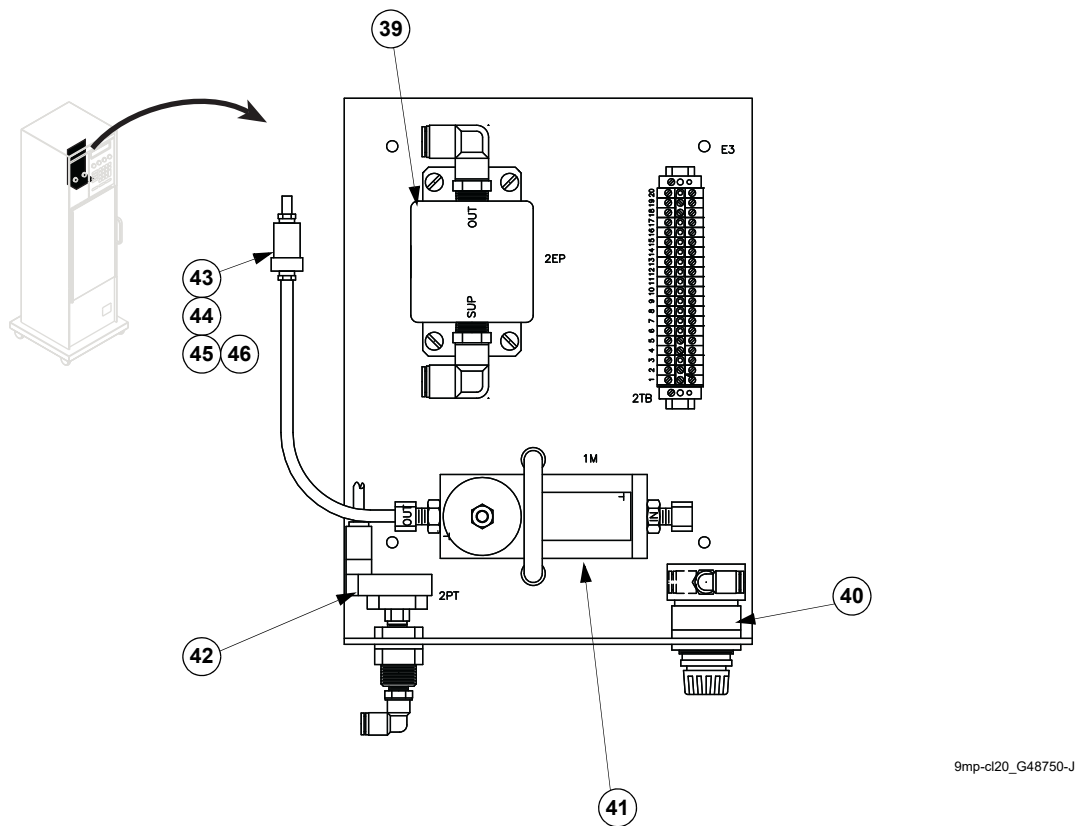
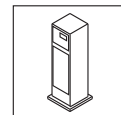
2.3 Upper Panel Assembly



Item No.	Description	Qty.	Catalog No.	Order No.
29	Front Panel Assembly (includes keypad)	1	9MP340	1032507
30	Display Module	1	9MP18	1001703
31	Restraining Cable	1	9MP16	1061604
32	Pilot Light (Amber) (pkg. 2)	4	7MC54	1001534
33	Neon Bulb (pkg. 3)	5	KR414	1002022
34	Capacitor (.01 uf, 1000 V)	5	7MC216	1005302
35	Resistor, 27KΩ, 1W	2	—	—
36	Rocker Switch	1	9MP41	1036062
37	Rocker Switch Boot	1	9MP42	1061605
38	Light (Red)	1	7MC53	1006229

PL 87068 EN 07 Released on: 07/02/2018

2.4 Upper Component Panel Assembly

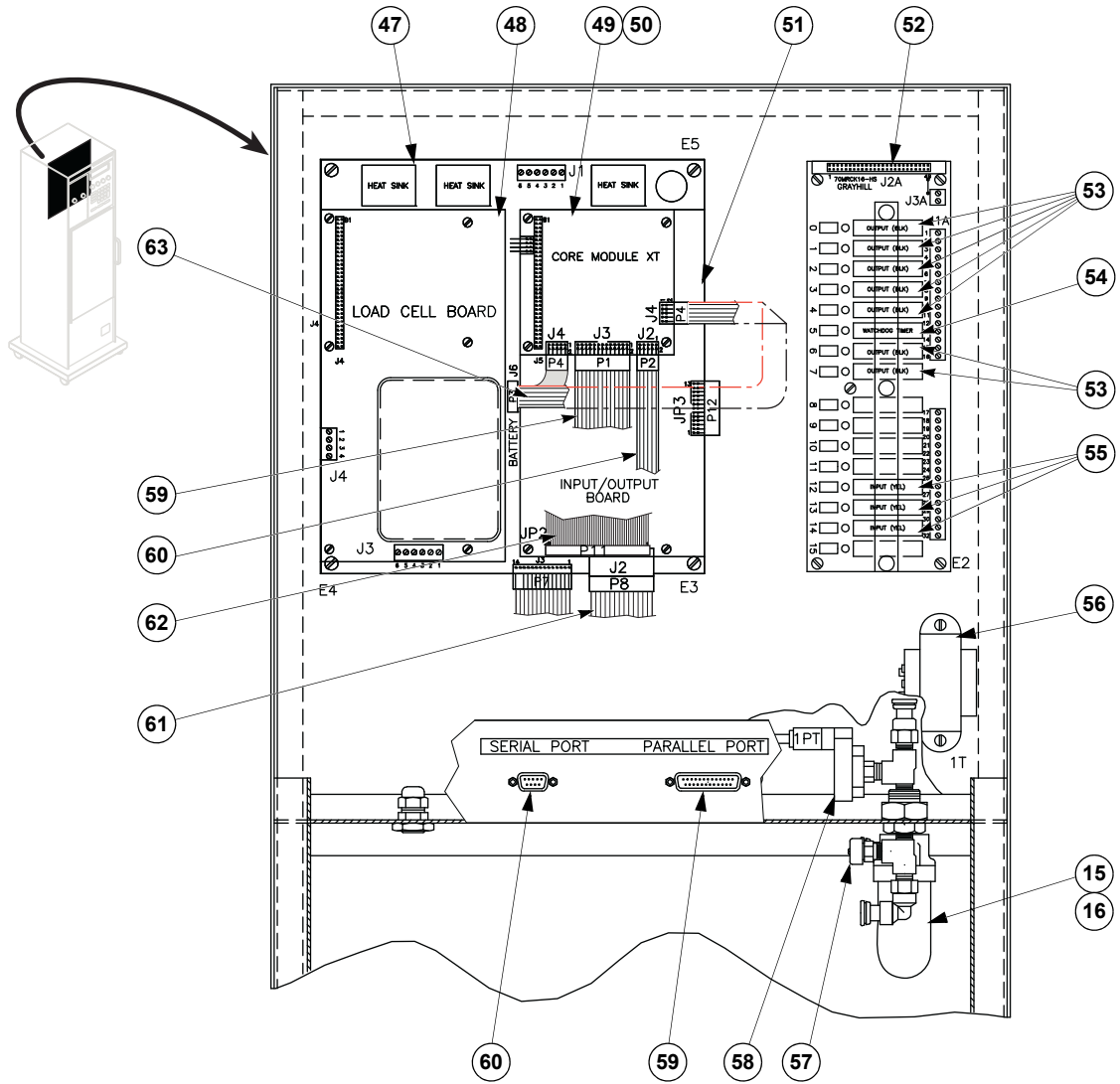


9mp-cl20_G48750-J

Item No.	Description	Qty.	Catalog No.	Order No.
39	Vibrator Air Pressure Regulator, 0.7-130 psig (2EP)	1	9MP122	1001688
40	Carrier Gas Pressure Regulator, 1-50 psig	1	9MP23	1001705
41	Mass Flow Controller (1M)	1	9MP120	1016504
42	Vibrator Air Pressure Transducer, 0-60 psi (2PT)	1	9MP121	1016505
43	Carrier Gas Check Valve (includes item 44)	1	9MP152	1018702
44	Duckbill Valve Package (includes items 45 & 46)	1	DJP83	1001940
45	Duckbill Valve	1	9MP139	1001693
46	Valve Insert	1	—	—

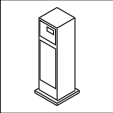
PL 87068 EN 07 Released on: 07/02/2018

2.5 Upper Bulkhead Component Assembly



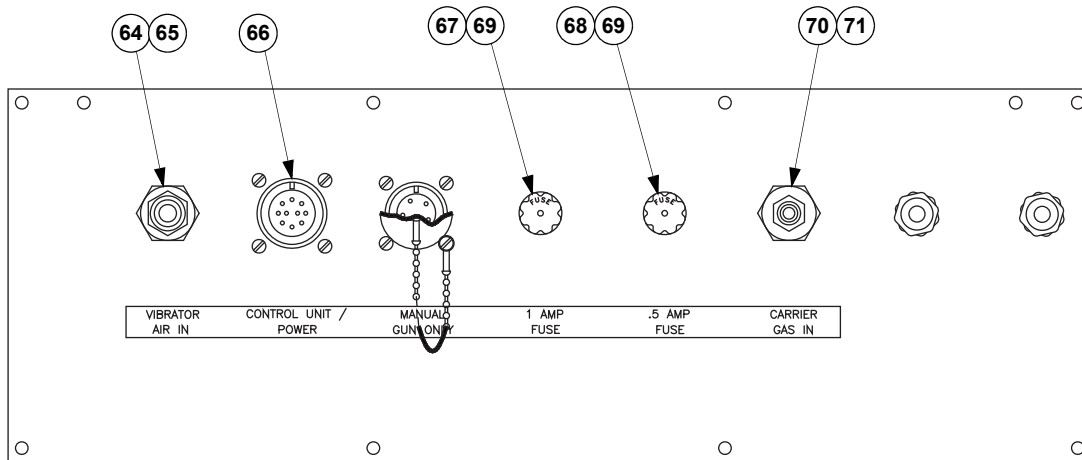
9mp-cl20_G48750-3

PL 87068 EN 07 Released on: 07/02/2018



Item No.	Description	Qty.	Catalog No.	Order No.
15	Filter	1	6MP426	1001334
16	Filter Element	1	6MP427	1001335
47	Mother Board 9MP Feeder	1	9MP2525	1001706
48	Load Cell Board	1	9MP28	1006214
49	Core Module (CPU) (includes item 50)	1	9MP2123	1032502
50	Compact Flash Card (programmed)	1	9MP57490	1032522
51	Input / Output Board	1	9MP27	1001708
52	Mini-Module Rack	1	9MP29	1032505
53	AC Output Module (Blk)	7	9MP31	1001709
54	Watchdog Timer (Blu)	1	9MP33	1001712
55	AC Input Module (Yel)	3	9MP32	1001710
56	Transformer	1	9MP35	1016510
57	Relief Valve	1	4MP145	1000880
58	Transducer, Pressure (0-15 psi)	1	9MP36	1001713
59	Ribbon Cable (Parallel Port; older versions only)	1	9MP89	1069446
60	Ribbon Cable (Serial Port)	1	9MP88	1069445
61	Ribbon Cable (MB Display)	1	9MP91	1069448
62	Ribbon Cable (Analog/Digital Output)	1	9MP92	1069449
63	Ribbon Cable (MB Battery)	1	9MP90	1069447

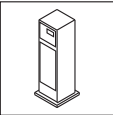
2.6 Connector Panel Assembly



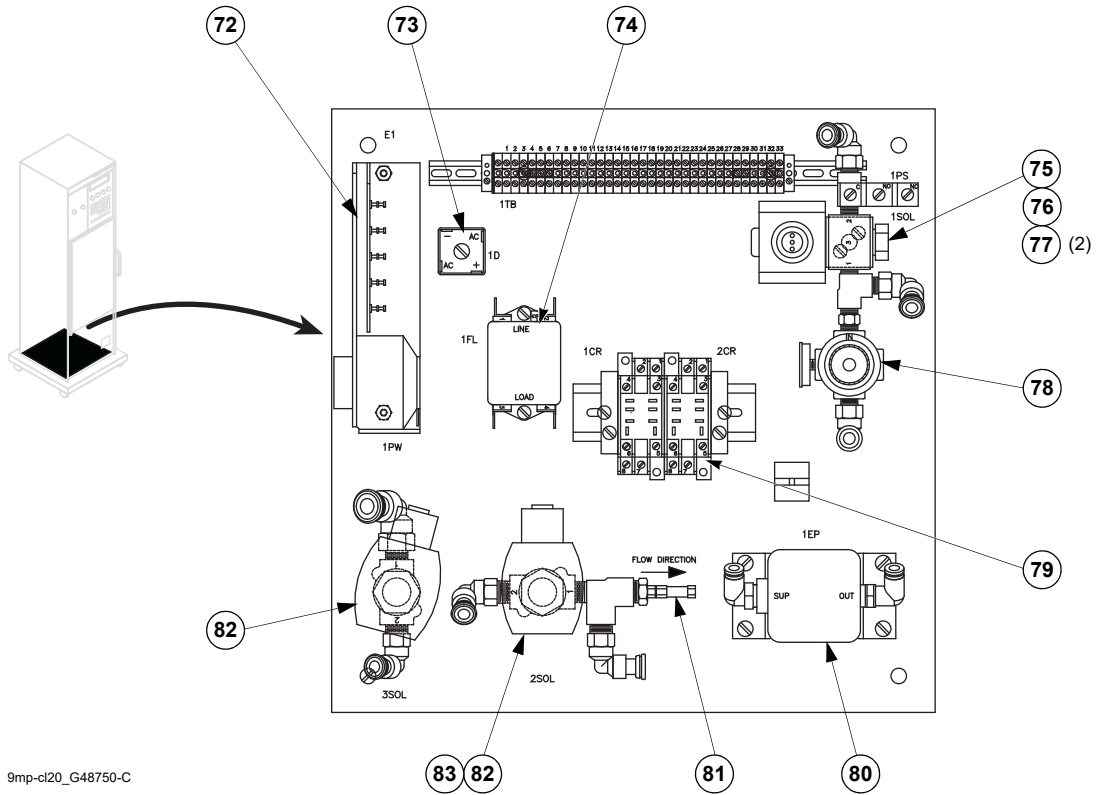
9mp-cl20_G45610-F

Item No.	Description	Qty.	Catalog No.	Order No.
64	Bulkhead Fitting	1	4MP64	1036111
65	Hose Fitting	1	2H2	1000495
66	Receptacle - 5 Terminal - Female	1	5CO26	1031875
67	Fuse (1 amp, 3AG, Slo-Blo) (pkg. 5)	1	3M574	1000706
68	Fuse (0.5 amps, 3AG, Slo-Blo) (pkg. 5)	1	9MP51	1001719
69	Fuse Holder	2	6MP361	1001332
70	Bulkhead Fitting	1	4MP13	1031767
71	Hose Fitting	1	M46	1028711

PL 87068 EN 07 Released on: 07/02/2018



2.7 Lower Component Panel Assembly

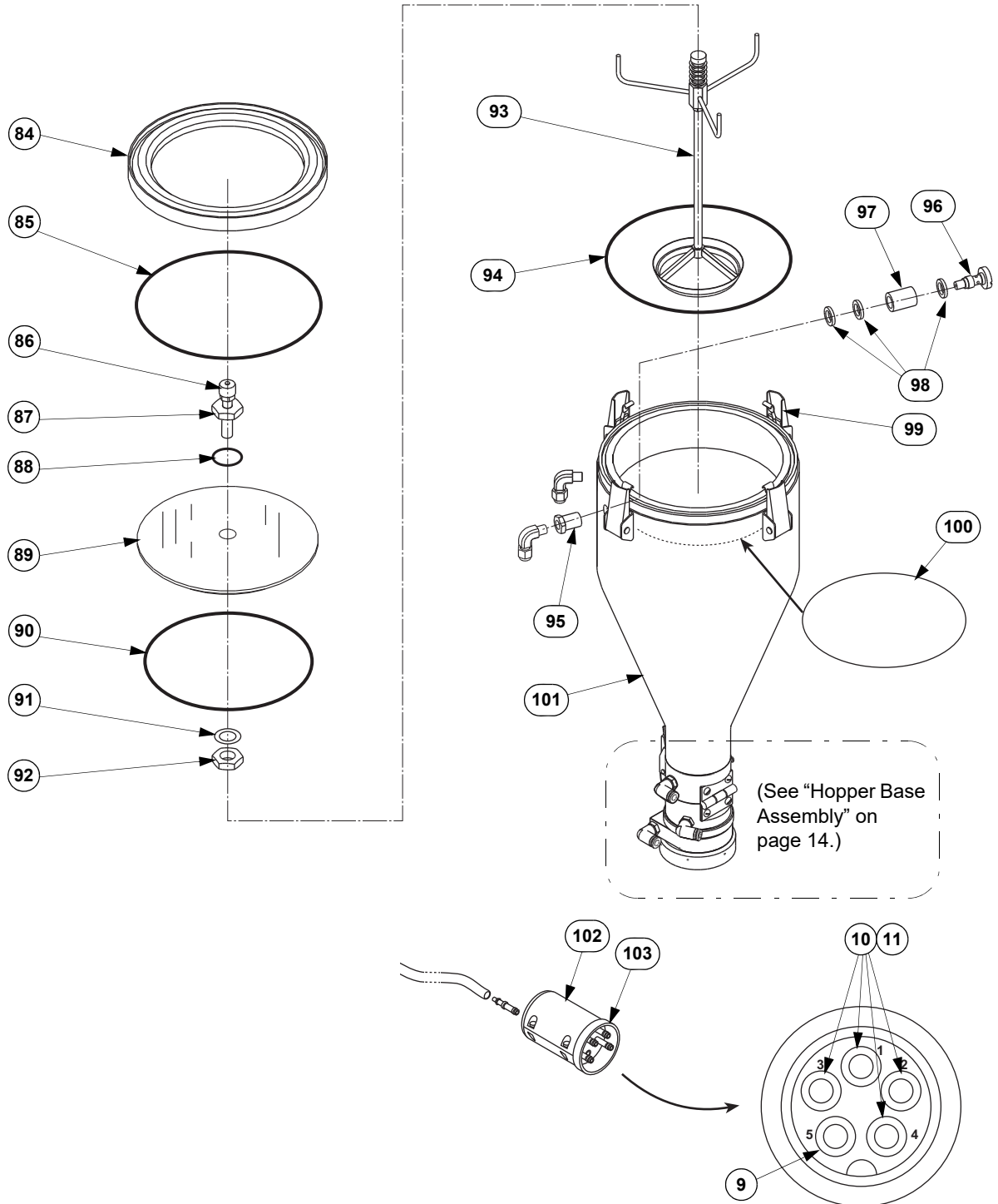


9mp-cl20_G48750-C

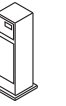
Item No.	Description	Qty.	Catalog No.	Order No.
72	Power Supply	1	9MP37	1016511
73	Bridge Rectifier	1	4HE32	1031745
74	Line Filter	1	4MP843	1031813
75	Solenoid Valve	1	RC52	1002346
76	Pressure Switch, 90 psi	1	CP303	1001785
77	Street Tee Fitting	2	5C193	1005193
78	Regulator (1-50 psig)	1	9MP23	1001705
79	Relay DPDT 120 VAC	2	CNR31	1005800
80	Regulator, Electro-Pneumatic, 0-15 psig	1	9MP38	1065072
81	Inline Restrictor	1	DJP24	1022218
82	Solenoid Valve	2	4MP98	1000943
83	Gasket(pkg. of 10)	2	DJP27	1001909

PL 87068 EN 07 Released on: 07/02/2018

2.8 Hopper Assembly

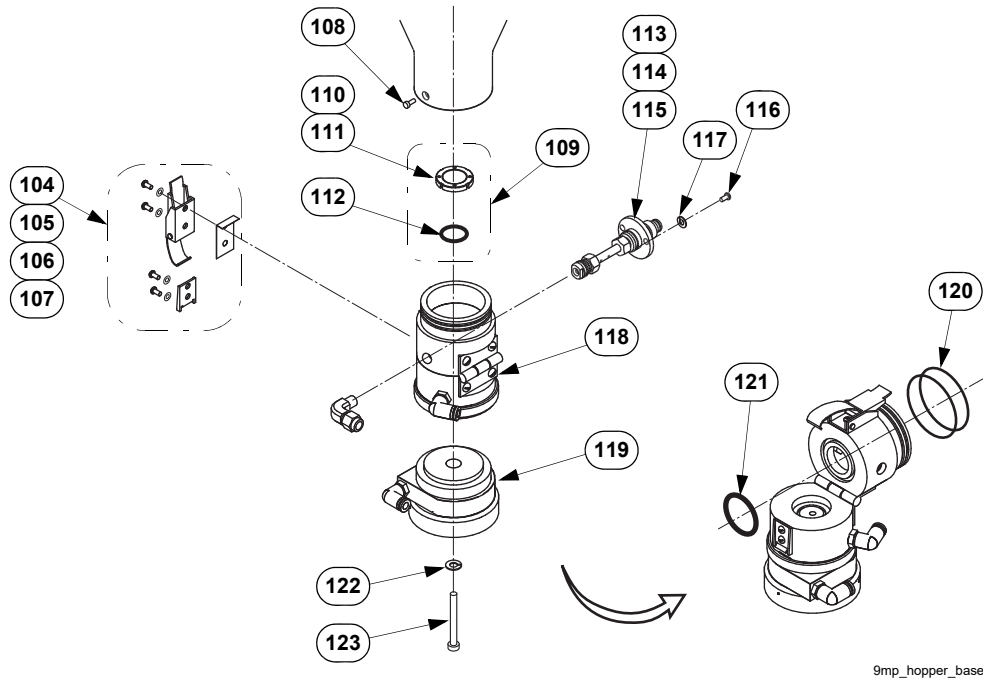


9mp_hopper_assy



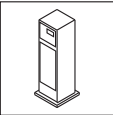
Item No.	Description	Qty.	Catalog No.	Order No.
1	Hopper Assembly (complete)	1	9MP40	1001715
9	Socket Terminal	1	ATC603	1021557
10	Plug Terminal	4	ATC609	1001762
11	O-ring, 0.170 X 0.048 (pkg. 5)	4	DJP13	1001904
84	Hopper Cover	1	4MP243	1031783
85	O-ring, 7.84 X 0.139 Buna-N	1	4MP241	1000911
86	Relief Valve	1	4MP145	1000880
87	Bushing	1	9MP47580	1090668
88	O-ring, 0.864 X 0.070 (pkg. 3)	1	10E46	1000100
89	Hopper Window	1	4MP242	1031782
90	O-ring, 170mm X 4mm Buna	1	4MP244	1000912
91	Washer	1	4MP138	1000877
92	Nut	1	4MP137	1000876
93	Filter Assembly	1	4MP298	1000913
94	Tetraseal Ring, 7.234 x 0.134	1	4MP227	1000910
95	Filter Base	1	9MP61	1001726
96	Filter Holder	1	9MP48680	1039223
97	Filter, 1/2" OD	1	4MP373	1000920
98	Seal (pkg. 4)	3	6MP367	1001333
99	Hopper Latch Package	4	4MP144	1000879
100	Tetraseal, 7.484 x 0.134	1	ATC214	1001755
101	Hopper (includes items 99 & 100)	1	9MP47614	1091870
102	Multitube Plug (includes item 103)	1	ATC608	1001761
103	Multiplug Locking Nut	1	9MP108514	1076884

2.8.1 Hopper Base Assembly

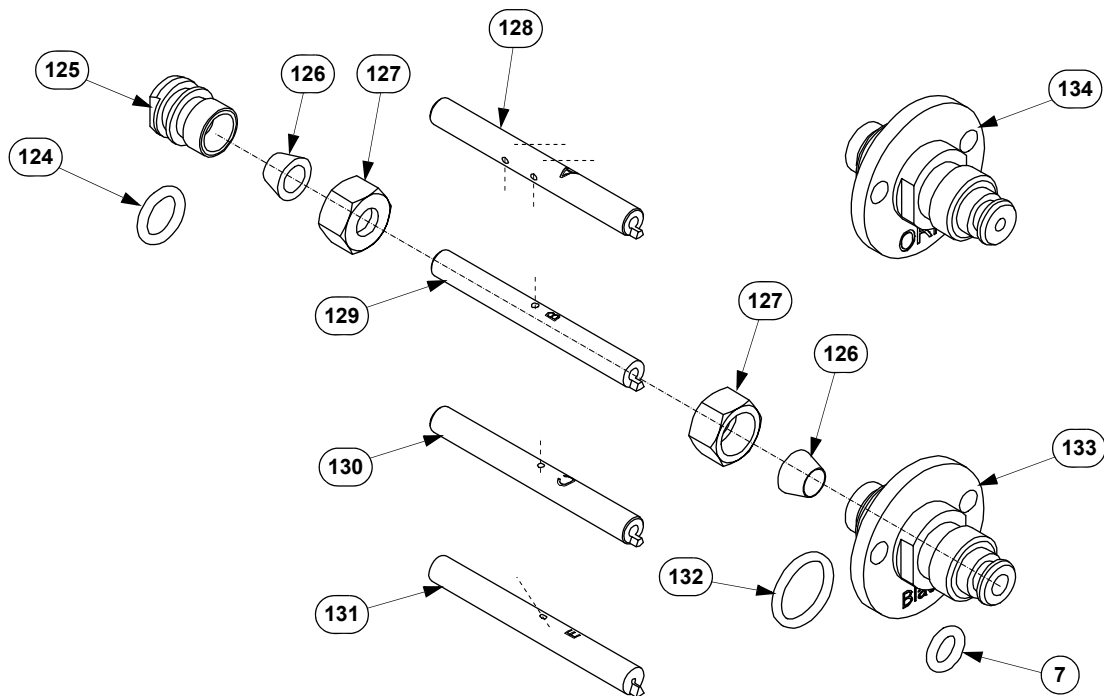


Item No.	Description	Qty.	Catalog No.	Order No.
104	Hopper Base Latch	1	4MP188	1000895
105	Screw 8-32 X 3/8	(pkg. 4)	7MP295	1001562
106	Lock Washer, Split Spring	(pkg. 4)	PPG27138	1028776
107	Spacer Shim	1	—	—
108	Screw, 8-32 X 3/16	2	—	—
109	Filter Package	(incl. items 110-112)	4MP164	1000889
110	Filter Adapter Nut Assembly	(includes item 111)	4MP215	1000907
111	Hopper Base Filter	1	4MP165	1000890
112	O-ring, 0.676 X 0.070	(pkg. 3)	K46-2D	1002008
113	Powder Port Shaft Assembly "A" Complete (See page 15.)	—	4MP153	1000884
114	Powder Port Shaft Assembly "B" Complete (See page 15.)	1	4MP156	1000887
115	Powder Port Shaft Assembly "C" Complete (See page 15.)	—	4MP157	1000888
116	Screw	(pkg. of 5)	P62	1002156
117	Lock Washer	(pkg. of 6)	6MP317	1001329
118	Hopper Base and Plug Assembly	1	9MP62	1032525
119	Turbine Vibrator Assembly	1	9MP58506	1059221
120	O-ring, 2.234 x 0.139	(pkg. 2)	3M531	1000703
121	O-ring, 27mm X 6mm	(pkg. 2)	4MP142	1000878
122	Lock Washer	1	CU473	1005812
123 ⁽¹⁾	Cap Screw, 1/4-20 X 2 -1/4 in.	1	9MPDJ42263	1071014

1. This screw is too short for older Hopper Base and Plug Assemblies. For older powder feeders, procure screw locally, 1/4-20 X 2-5/8 in.



2.8.2 Powder Port Shaft Assembly



9MP_powderport

Item No.	Description	Qty. (1)	Catalog No.	Order No.
7	O-ring, 0.208 X 0.070 (pkg. 2)	1	6MP129	1001323
124	O-ring, 0.301 X 0.070 (pkg. 4)	1	4MP154	1000885
125	Threaded Insert	1	4MP951	1000939
126	Ferrule (pkg. 2)	2	DJP117	1005857
127	Nut (pkg. 2)	2	4MP952	1000940
Pickup Shaft Options				
128	Pickup Shaft Insert "A" (optional) (includes item 126)	—	4MP950-A	1000936
129	Pickup Shaft Insert "B" (includes item 126)	1	4MP950-B	1000937
130	Pickup Shaft Insert "C" (optional) (includes item 126)	—	4MP950-C	1000938
131	Pickup Shaft Insert "E" (optional) (includes item 126)	—	DJP116	1001898
132	O-ring, 0.426 X 0.070 (pkg. 4)	1	4MP155	1000886
Flanged Coupling Options				
133	Flanged Coupling (for black hose and Pickup Shaft Insert "A" or "B")	1	4MP953	1000941
134	Flanged Coupling (for orange hose and Pickup Shaft Insert "C")	—	4MP954	1000942
Complete Pickup Shaft Assemblies				
113	Powder Port Shaft Assembly "A", Complete (Refer to AI 43562.)	—	4MP153	1000884
114	Powder Port Shaft Assembly "B", Complete (Refer to AI 43562.)	1	4MP156	1000887
115	Powder Port Shaft Assembly "C", Complete (Refer to AI 43562.)	—	4MP157	1000888
135 ⁽²⁾	Powder Port Shaft "D" (1-piece; includes items 7, 124 & 132)	—	4MP210	1000905

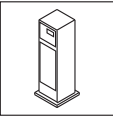
1. Items with no quantity are optional.
2. Special applications

3 Additional Equipment

3.1 Hoses and Cables

Item No.	Description	Qty. ⁽¹⁾	Catalog No.	Order No.
Carrier Gas Hoses				
136	Carrier Gas Hose 4.6m (15')	1	AJ10	1001746
137	Carrier Gas Hose 9.8m (32')	—	9MP220	1000726
Air Vibrator Hoses				
138	Air Vibrator Hose 4.6m (15')	1	PB30	1002188
139	Air Vibrator Hose 9.1m (30')	—	3M815	1000725
Powder Feed Hoses (Powder Feeder to Spray Gun)				
140	Black, 2.74m (9')	1	4MP195	1000897
141	Black, 4.57m (15')	—	9MP335	1000917
142	Black, 9.14m (30')	—	9MP200	1000898
143	Black, (Length made to order; max. 30 m (100'))	—	PFHBLKCTO	1034353
144	Orange, 2.74m (9')	1	4MP194	1000896
145	Orange, 4.57m (15')	—	DJP335	1001910
146	Orange, 9.14m (30')	—	DJP200	1001908
147	Orange, 15.15m (50')	—	DJ601	1001843
148	Orange, (Length made to order; max. 30 m (100'))	—	PFHORGCTO	1034385
149	Blue, 2.74m (9')	—	DJP710-10	1001931
150	Blue, 4.57m (15')	—	DJP710-15	1001932
151	Blue, 9.14m (30')	—	DJP710-30	1001933
152	Blue, (Length made to order; max. 30 m (100'))	—	PFHBLUCTO	1034386
Strain Relief Hoses (Hopper to Bulkhead Fitting)				
153	Braided Hose, 0.46m (18") L, 4.8 mm (3/16") ID	1	9MP821	1000932
154	Braided Hose, 0.46 m (18") L, 3.2 mm (1/8") ID	—	9MP819	1001735
155	Braided Hose, Blue, 0.46 m (18") L, 2.4 mm (3/32") ID	—	DJP705	1001929
Cables				
156	Power Adapter Cable	1	9MP21	1032501
157	Feeder to Controller Cable	1	9MP80	1016512

1. Items with no quantity are optional.

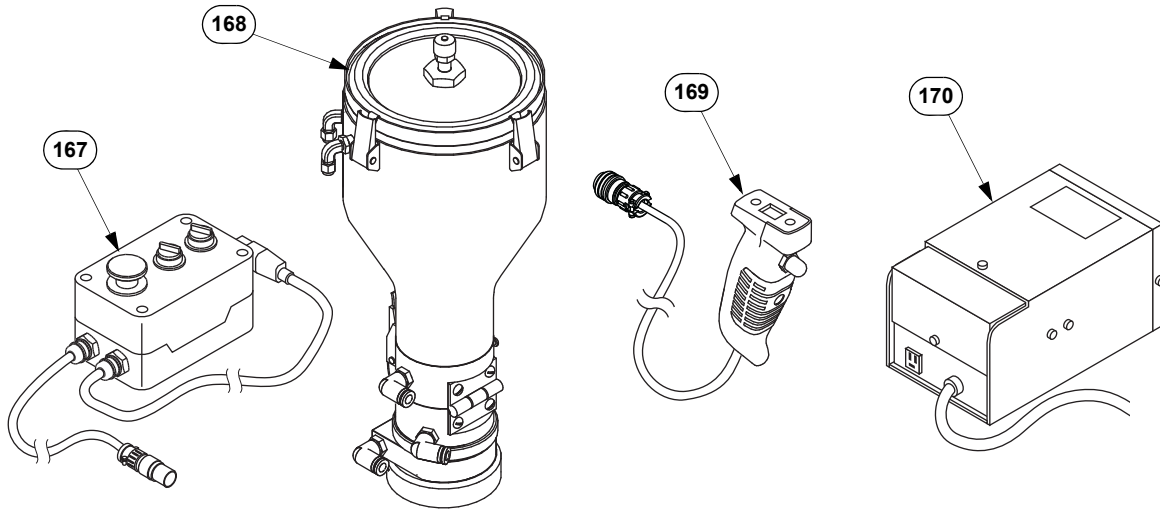


3.2 Tools and Spares

Item No.	Description	Qty. ⁽¹⁾	Catalog No.	Order No.
158	Spanner Wrench	1	4MP167	1000891
159	Leak Check Fitting	—	9MP8	1032529
160	Gas Calibration Adapter	—	9MP965	1001738
161	Calibration Weight Set	—	9MP966	1005536
162	Powderlube	1	9MP119	1002137
163	Tubing, White, Soft, 1m (3')	—	9MP58520	1051696
164	Tubing Polyurethane, 3.5m (12')	—	9MPDJ57972	1038059
165	Service Plug	—	9MP971	1032534
166	Spare Seal Package (includes the following items:)	1	9MP63	1001727
7	O-ring, 0.208 X 0.070	1	6MP129	1001323
11	O-ring, 0.170 X 0.048	5	DJP13	1001904
88	O-ring, 0.864 X 0.070	2	10E46	1000100
90	O-ring, 170mm X 4mm Buna	1	4MP244	1000912
94	Tetraseal Ring, Cross-Section 0.134, DURO 7	1	4MP227	1000910
121	O-ring, 27mm X 6mm	1	4MP142	1000878
112	O-ring, 0.676 X 0.070	1	K46-2D	1002008
124	O-ring, 0.301 X 0.070	1	4MP154	1000885
132	O-ring, 0.426 X 0.070	1	4MP155	1000886

1. Items with no quantity are optional.

3.3 Accessories (Optional)



9mp-cl20_options

Item No.	Description	Qty.	Catalog No.	Order No.
167	Remote Control Assembly	—	PKG54915	1050160
168	Small Hopper (Refer to AI 108262.)	—	9MP960	1032531
169	Gun Handle	—	DJ125	1001800
170	Step-Down Transformer (200/220/240 VAC to 115 VAC)	—	9MC420	1038025

PL 87068 EN 07 Released on: 07/02/2018