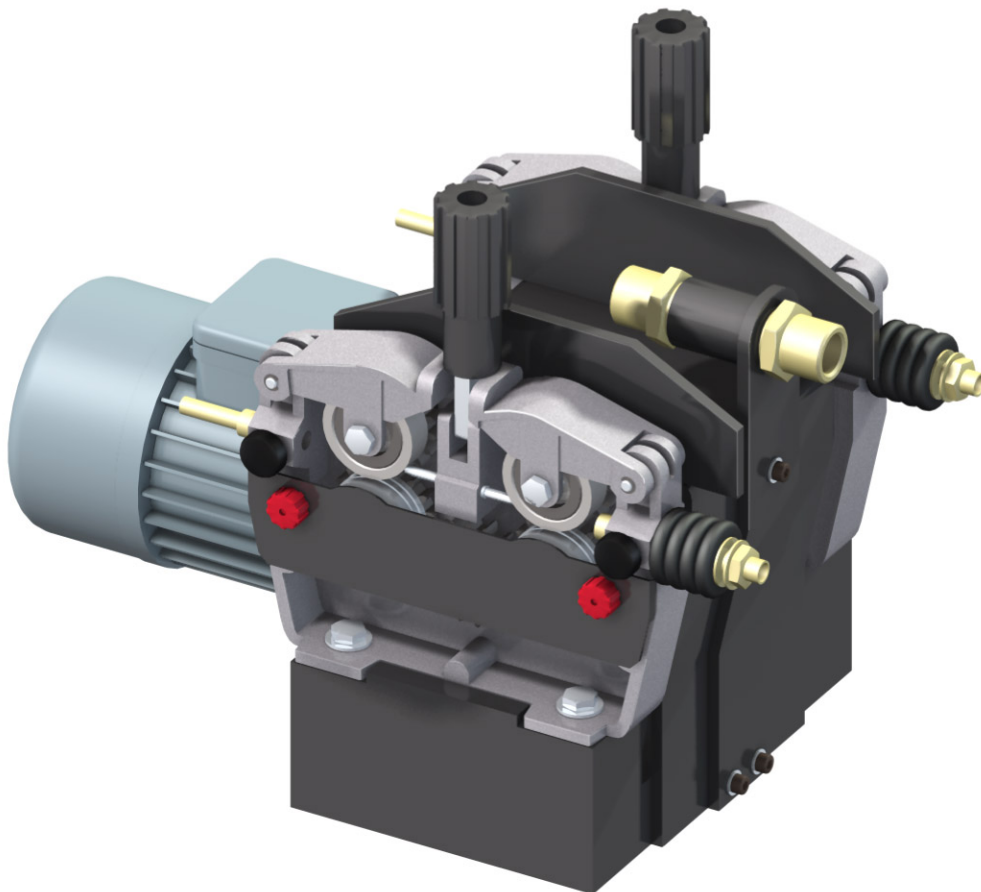


Wire feed gearbox Push 6

Arc spraying


Parts list
PL 80918 EN 09




Oerlikon Metco Switzerland

Rigackerstrasse 16

CH-5610 Wohlen

 +41 56 618 81 81

 +41 56 618 81 00

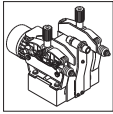
www.oerlikon.com/metco



Disclaimer of Warranty

Installing non-Oerlikon Metco spare parts on Oerlikon Metco equipment voids the product warranty.

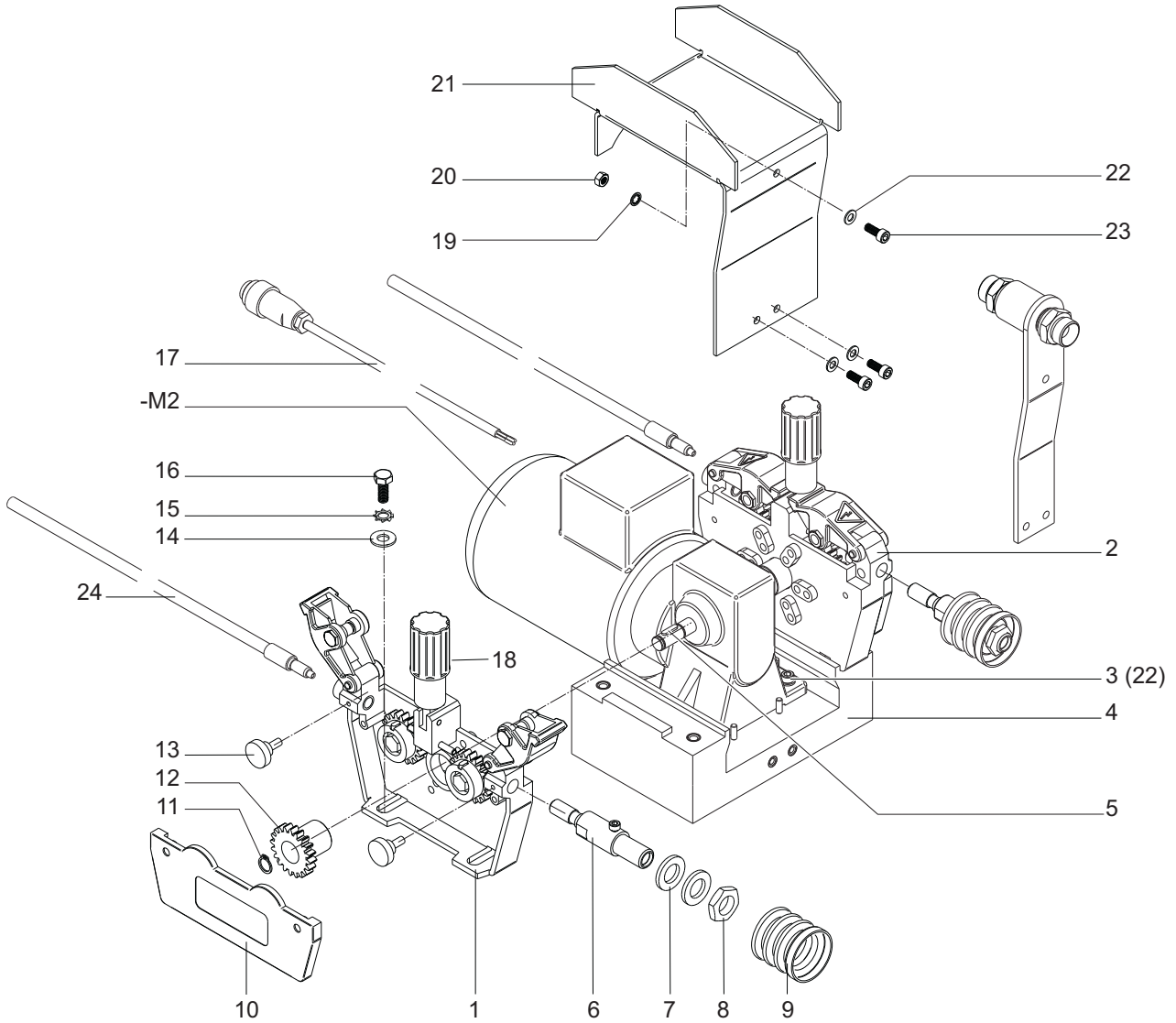
1 List of recommended spare parts



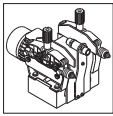
Pos.	Description	Item no.
2.1 Push 6 module without drive rolls		
1	Gear plate right, incl. bushing	1078258
2	Gear plate left, incl. bushing	1078259
12	Drive pinion	1053773
24	Wire insulating tube 4 m for Ø 1.6 mm	1056675
	Wire insulating tube 4 m for Ø 2.0 - 2.5 mm	1056676
2.2 Drive rolls, drive roll carrier, pressure roll		
1	Pressure roll flat	1063418
4	Drive roll Ø 1.6 mm knurled profile	1056230
	Drive roll Ø 2.0 mm knurled profile	1056231
	Drive roll Ø 2.5 mm knurled profile	1056233

2 Parts list wire feed gearbox Push 6

2.1 Push 6 module without drive rolls

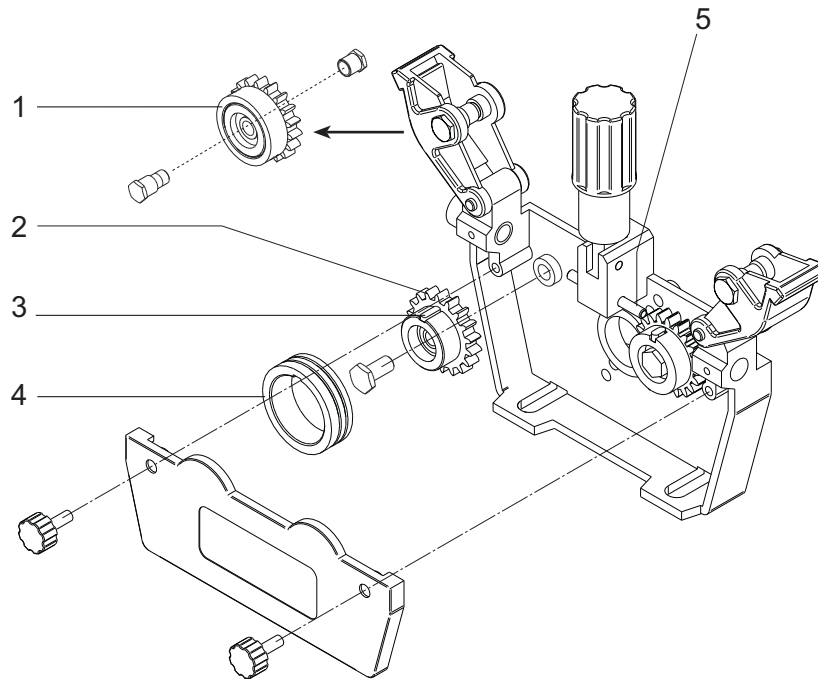


PL 80918 EN 09 Released on: 09.01.2015



Pos.	Description		Qty	Item no.
	Push 6 without drive rolls, with motor (20:1)	incl. Pos. 1-23, -M2		1057049
	Push 6 without drive rolls, with motor (30:1)	incl. Pos. 1-23, -M2		1061384
	Push 6 without drive rolls, with motor (75:1)	incl. Pos. 1-23, -M2		1062041
1	Gear plate right, incl. bushing		1	1078258
2	Gear plate left, incl. bushing		1	1078259
3	Hexagon socket screw M6x20 DIN 912 sw		4	1066094
4	Base plate		1	1053767
5	Key 4x4x16 DIN6885 Part 1, Form A		2	--
6	Current/wire connection		2	1053753
7	Washer M16 DIN125 Ms		4	1066073
8	Hexagonal nut MS R3/8"		2	1055499
9	Below		2	1052392
10	Cover plate		2	1054172
11	Retaining ring 12x1 DIN471		2	1066487
12	Drive pinion		2	1053773
13	Knurled screw M6x15 0710		4	1054977
14	Washer M10		4	1062171
15	Tooth lock washer A M8 DIN6797 Zn		4	1074434
16	Hexagon screw M8x20 DIN933 Zn		4	1074467
17	Motor cable complete, 4 m with plug		1	1056876
	Motor cable complete, 6 m with plug		1	1056877
	Motor cable complete, 8 m with plug		1	1056878
	Motor cable complete, 12 m with plug		1	1064516
18	Pressure lever		2	1089605
19	Tooth lock washer A M6 DIN6797 Zn		4	1074433
20	Hexagonal nut M6 DIN934 Zn		1	1074425
21	Covering cap module Push 6		1	1053704
22	Washer M6		7	1066049
23	Hexagon socket screw M6x15 DIN912 sw		3	1074462
-M2	Gear motor Push 6 (20:1)	for CAP, TUBE		1055351
	Gear motor Push 6 (30:1)	for VISU ARC		1055354
	Gear motor Push 6 (75:1) - LOW SPEED <100 A	for all systems		1055355
24	Wire insulating tube 4 m	for Ø 1.6 mm		1056675
	Wire insulating tube 4 m	for Ø 2.0 - 2.5 mm		1056676

2.2 Drive rolls, drive roll carrier, pressure roll



Pos.	Description	Item no.
1	Pressure roll flat with bolt and sleeve	1064069
	Pressure roll flat	1063418
2	Drive Roll Carrier with Key Push 6	1061139
3	Key 4x4x8 DIN6885 Part 1, Form A	--
4	Drive roll Ø 1.6 mm knurled profile	1056230
	Drive roll Ø 2.0 mm knurled profile	1056231
	Drive roll Ø 2.5 mm knurled profile	1056233
5	Wire guide tube Push 6 (≤ Ø 2.5 mm)	1054173