

9MPE Powder Feeder

Plasma / Combustion Spraying

Parts List


PL 74556 EN 09




Oerlikon Metco (US) Inc.

1101 Prospect Avenue

Westbury NY 11590

 +1 516 334 1300

 +1 516 338 2414

www.oerlikon.com/metco

Spare Parts Categories

C = Consumable Parts

Parts subjected to major wear during normal operation. These parts require replacement on a regular basis.

Recommended in order to avoid downtimes.

W = Wear Parts

Parts used for maintenance service. These parts are likely and expected to wear out during the life of the product.

Wear parts are not subject to warranty.

K = Critical Parts

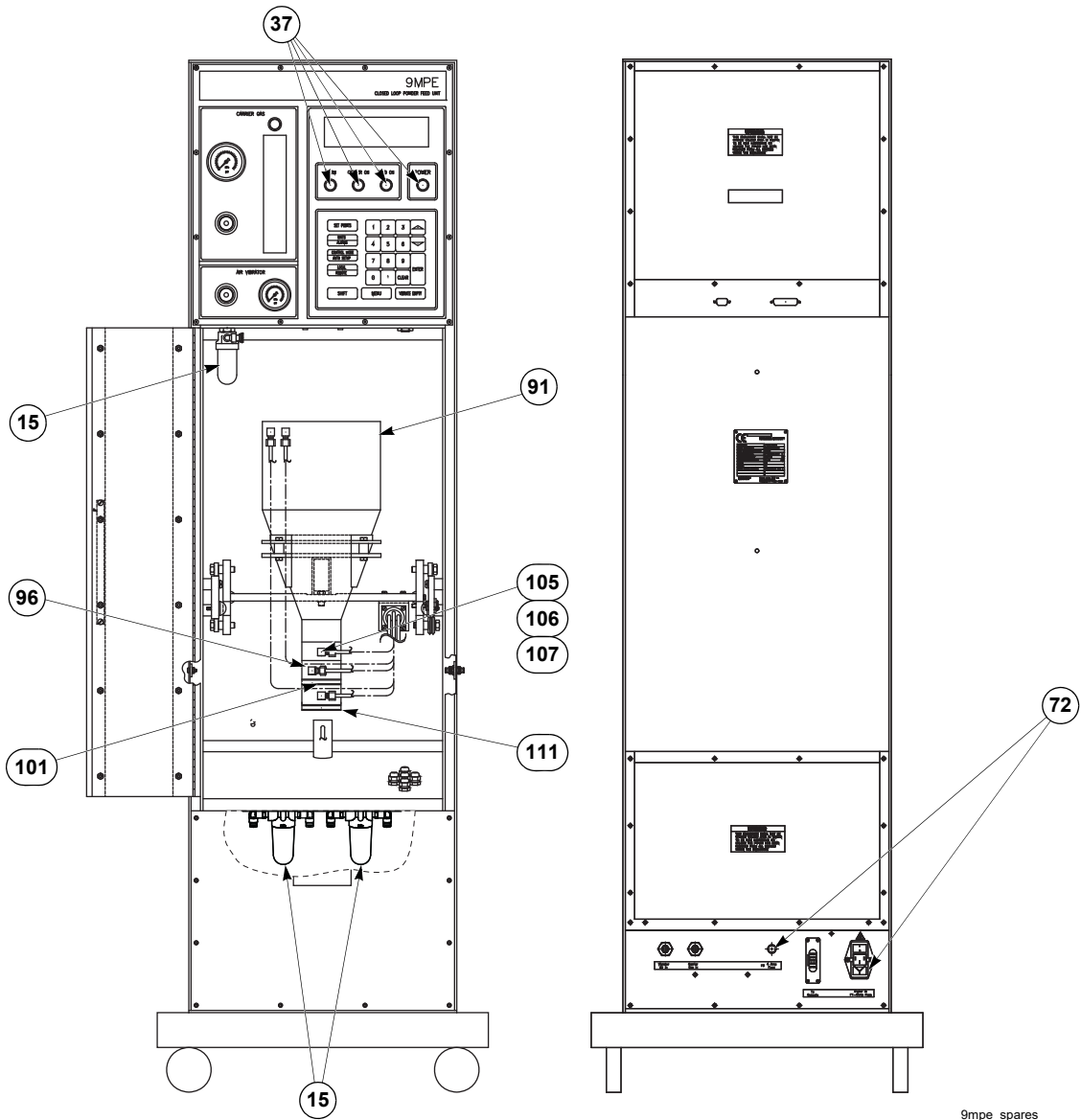
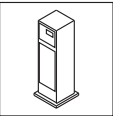
Parts recommended in order to guarantee maximum availability of component. This prevents downtime caused by delay in procurement.



Warranty Disclaimer

Installing non-Oerlikon Metco spare parts on Oerlikon Metco equipment voids the product warranty.

1 List of Recommended Spare Parts, 9MPE



9mpe_spare

Item No.	Description	Qty.	Cat	Catalog No.	Order No.
15	Filter Element	3	C	6MP427	1001335
37	Bulb, 24 volt	4	K	PKG50899	1038254
72	Fuse, 4A, 250VAC, Glass, 5mm x 20	2	K	6CE38882	1016606
91	Hopper Latch Package	1	W	4MP144	1000879
96	Hopper Base Latch	1	W	4MP188	1000895
101	Hopper Base Filter Package	1	W	4MP164	1000889
105	Powder Port Shaft Assembly "A"		C	4MP153	1000884
106	Powder Port Shaft Assembly "B"	1	C	4MP156	1000887
107	Powder Port Shaft Assembly "C"		C	4MP157	1000888
111	Turbine Vibrator Assembly	1	W	9MP58506	1059221
157	Spare Seal Package	1	W	9MP63	1001727

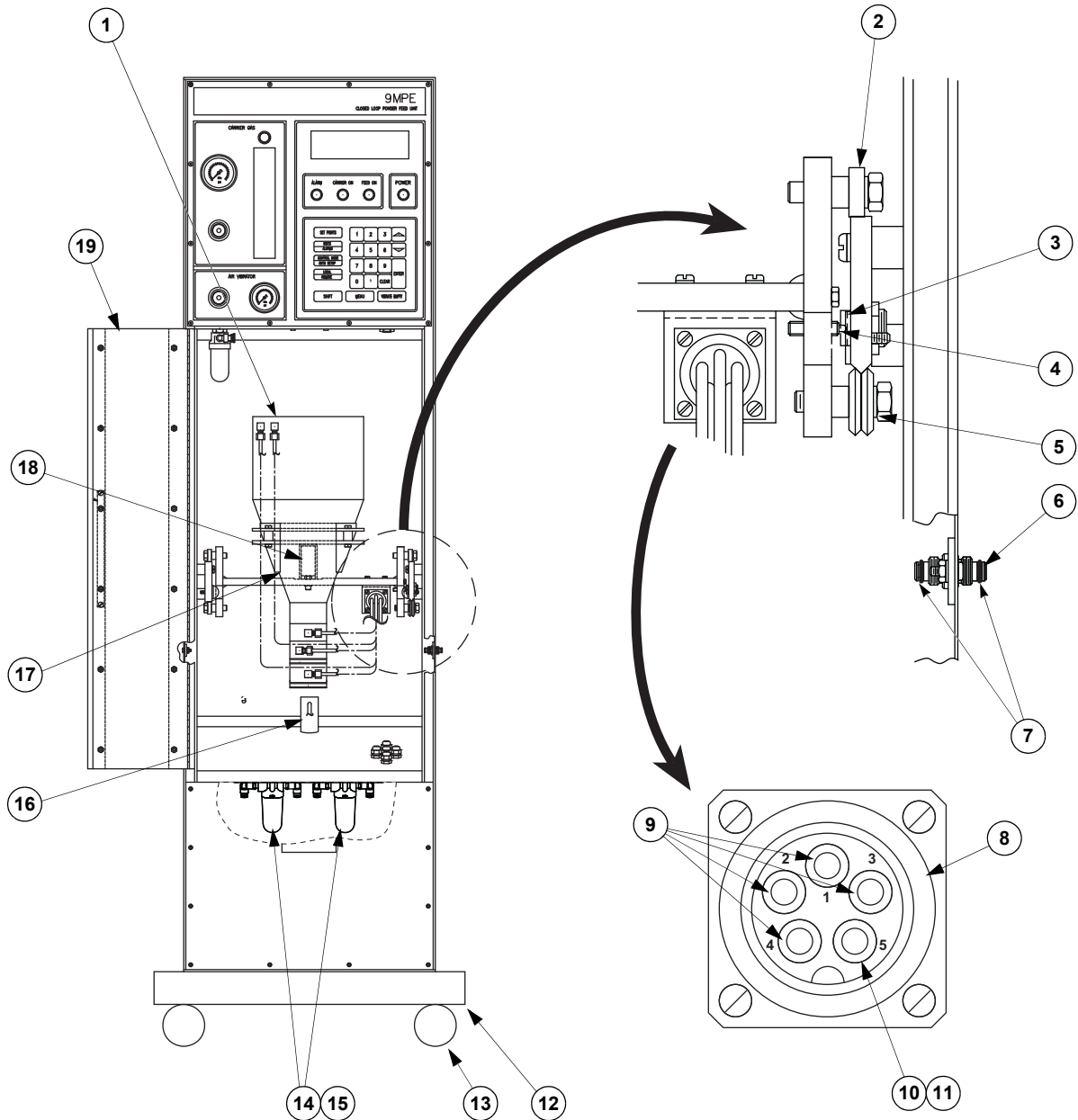
2 Parts List for 9MPE Powder Feeder

9MPE Powder Feeder

9MPE

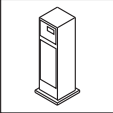
1001740

2.1 Cabinet and Hopper Carriage



9mpe_cabinet

PL 74556 EN 09 Released on: 07/02/2018

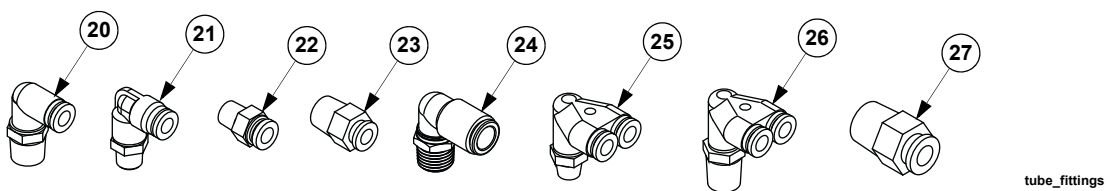


Item No.	Description	Qty.	Catalog No.	Order No.
1	Hopper Assembly (See "Hopper Assembly" on page 10.)	1	9MP40	1001715
2	Ball Bearing	3	RG69	1002359
3	Detent Button	2	9MP11	1032492
4	Spring Plunger	1	9MP13	1032495
5	Guide Wheel	2	9MP12	1036953
6	Bulkhead Fitting	1	4MP811	1000931
7	O-ring, 0.208 X 0.070 (pkg. 2)	2	6MP129	1001323
8	Multitube Socket	1	9MP14	1001694
9	Socket Terminal	4	ATC603	1021557
10	Plug Terminal	1	ATC609	1001762
11	O-ring, 0.170 X 0.048 (pkg. 5)	1	DJP13	1001904
12	Truck Assembly (includes item 13)	1	9MP67	1005534
13 (1)	Swivel Caster	4	9MP20554	1062053
14	Filter	2	6MP426	1001334
15	Filter Element	2	6MP427	1001335
16	Exhaust Pinch Valve Assembly	1	PKG51264	1006060
17	Vibration Isolation Pad	1	9MP40915	1005538
18	Load Cell	1	9MP70	1001730
19	Cabinet Door	1	9MP10	1039193

1. Original casters are welded to truck. Remove and replace wheel and axial only.

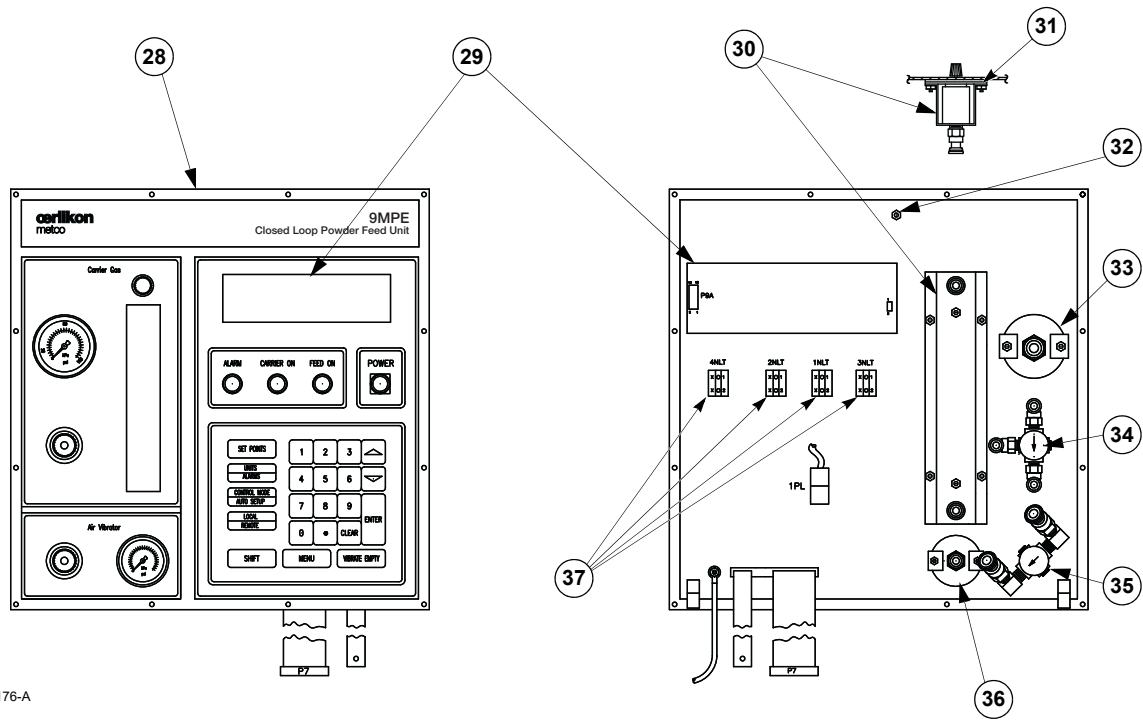
2.2 Tube Fittings

Some of the tube fittings below are used throughout the 9MPE. They are not indexed or identified in the parts list. Use the descriptions below to identify them for replacement.



Item No.	Description	Catalog No.	Order No.
20	Elbow, 1/4" Tube X 1/4" NPTM	9MPDJ45600	1038054
21	Elbow, 1/4" Tube X 1/8" NPTM	9MPDJ45601	1038055
22	Tube Fitting, 1/4" Tube X 1/8" NPTM	PPC45602	1064437
23	Tube Fitting, 1/4" Tube X 1/4" NPTM	9MP45603	1083012
24	Elbow, 3/8" Tube X 1/4" NPTM	9MP45605	1083013
25	Elbow Wye, 1/4" Tube X 1/8" NPTM	9MP49493	1083014
26	Elbow Wye, 1/4" Tube X 1/4" NPTM	9MP49494	1083015
27	Tube Fitting, 1/2" Tube X 1/2" NPTM	PPC51488	1064436

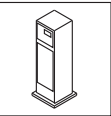
2.3 Upper Panel Assembly



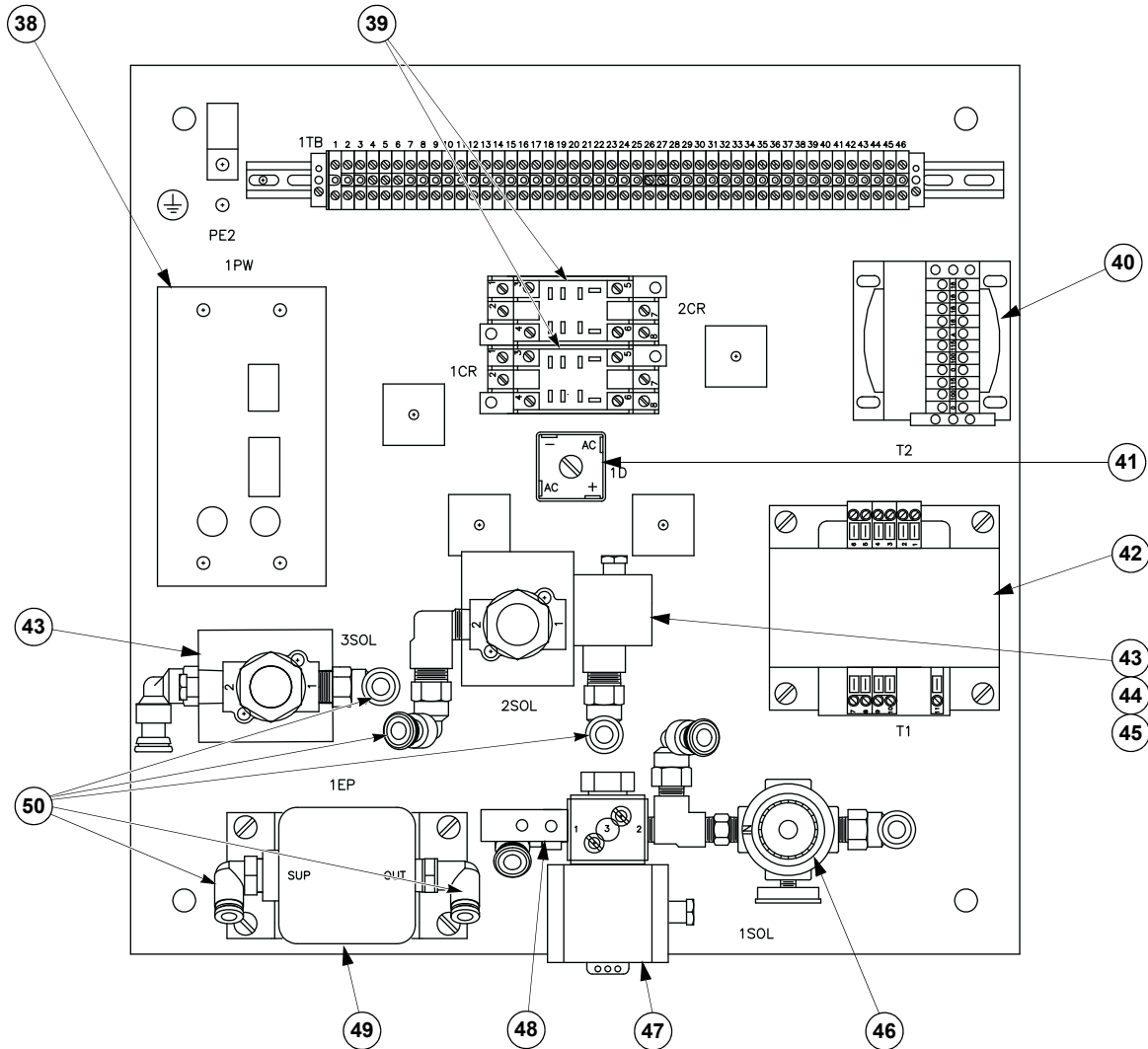
9mpe_51176-A

Item No.	Description	Qty.	Catalog No.	Order No.
28	Front Panel Assembly (includes keypad & legends)	1	PKG51448	1064001
29	Display Module	1	9MP18	1001703
30	Flowmeter	1	9MP19	1001704
31	Flowmeter Window	1	9MP20	1036019
32	Restraining Cable	1	9MP16	1061604
33	Pressure Gauge, 100 psi	1	4RC55	1000955
34	Regulator, 1-50 psig	1	9MP23	1001705
35	Regulator, 1-50 psig	1	9MP24	1020729
36	Pressure Gauge, 60 psi	1	CPU475	1020800
37	Bulb, 24 volt	4	PKG50899	1038254

PL 74556 EN 09 Released on: 07/02/2018



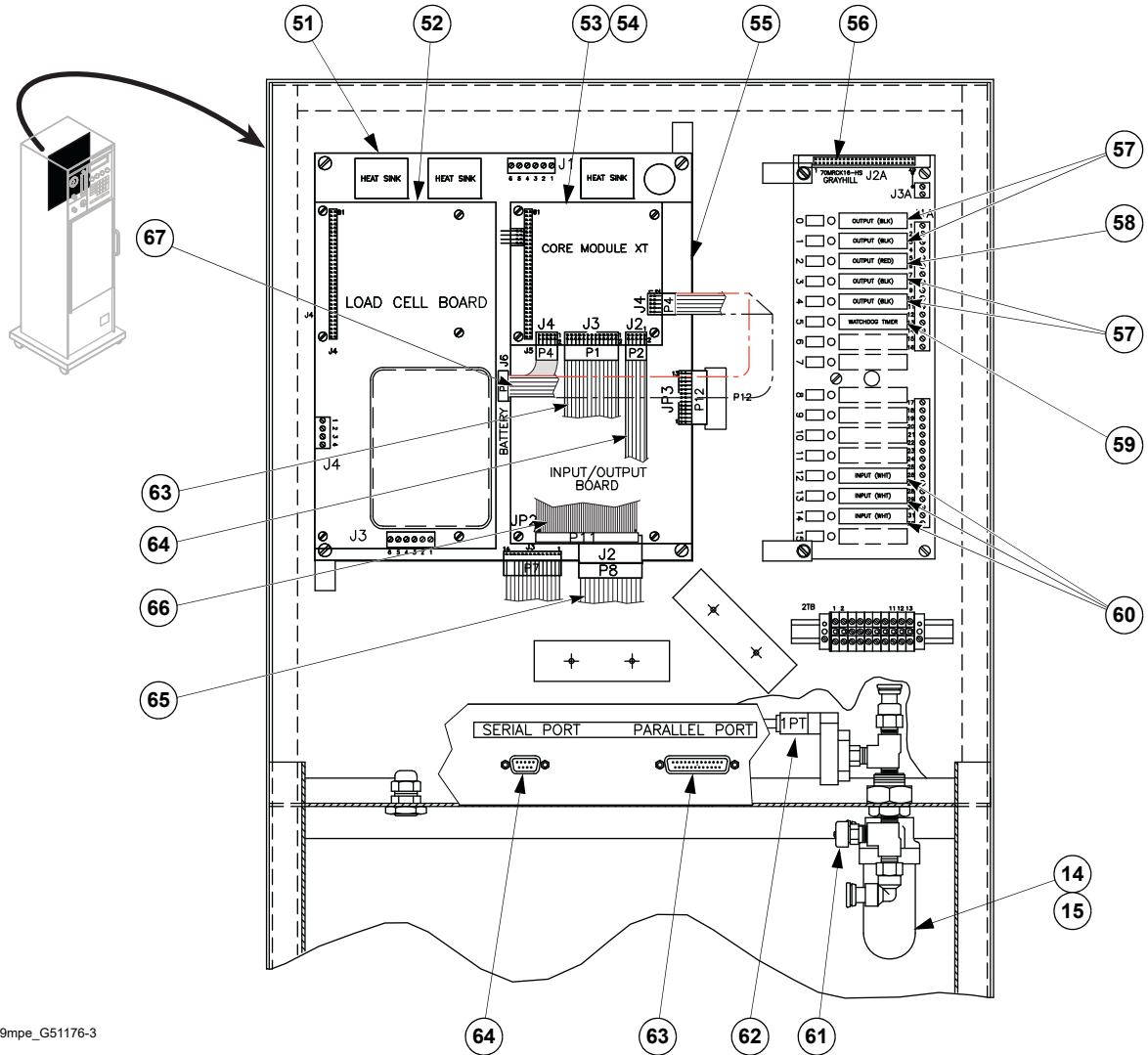
2.4 Lower Panel Component Assembly



9mpe_G51204-C

Item No.	Description	Qty.	Catalog No.	Order No.
38	Power Supply (1PW)	1	9MP51176-CC	1090218
39	Relay, DPDT, 300 VAC (1CR, 2CR)	2	PKG50969	1018444
40	Single-Phase Transformer, 100-115V (T2)	1	910901-10	1012837
41	Bridge Rectifier	1	4HE32	1031745
42	Transformer, 24V (T1)	1	PPC50738	1020009
43	Solenoid Valve, 24 VAC (2SOL, 3SOL)	2	PKG50796	1002191
44	Suppressor	1	PKG50735	1028751
45	Inline Restrictor	1	DJP24	1022218
46	Regulator (1-50 psig)	1	9MP23	1001705
47	Solenoid Valve, 24 VAC (2SOL)	1	6CE50797	1001310
48	Pressure Switch, 90 PSI	1	CP303	1001785
49	Regulator, Electro-Pneumatic, 0-15 PSIG (1EP)	1	9MP38	1065072
50	Male Elbow	5	9MPDJ45600	1038054

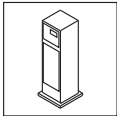
2.5 Upper Bulkhead Component Assembly



9mpe_G51176-3

Item No.	Description	Qty.	Catalog No.	Order No.
14	Filter	1	6MP426	1001334
15	Filter Element	1	6MP427	1001335
51	Mother Board 9MP Feeder	1	9MP2525	1001706
52	Load Cell Board	1	9MP28	1006214
53	Core Module (CPU)	1	9MP2026	1032499
54	Compact Flash Card (programmed)	1	9MP56431	1032517
55	Input / Output Board	1	9MP27	1001708
56	Mini-Module Rack	1	—	—
57	AC Output Module (Blk)	4	9MP50792	1005531
58	DC Output Module (Red)	1	9MP50800	1005532

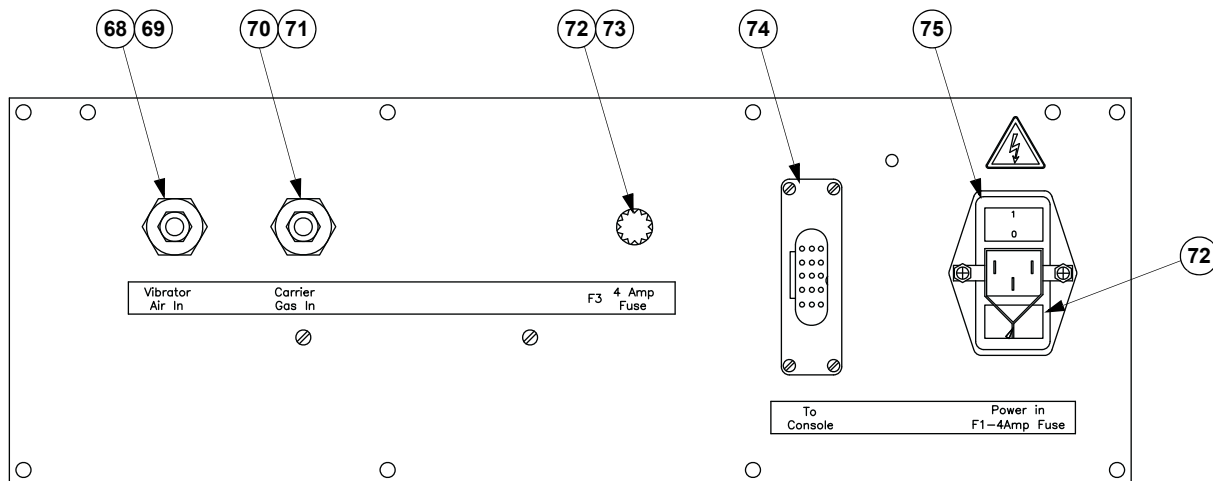
(Continued on next page.)



(Continued from preceding page.)

Item No.	Description	Qty.	Catalog No.	Order No.
59	Watchdog Timer (Blu)	1	9MP50793	1032513
60	AC Input Module (Wht)	3	9MP50791	1005530
61	Relief Valve	1	4MP145	1000880
62	Transducer, Pressure (0-15 psi)	1	9MP36	1001713
63	Ribbon Cable (Parallel Port; older versions only)	1	9MP89	1069446
64	Ribbon Cable (Serial Port)	1	9MP88	1069445
65	Ribbon Cable (MB Display)	1	9MP91	1069448
66	Ribbon Cable (Analog/Digital Output)	1	9MP92	1069449
67	Ribbon Cable (MB Battery)	1	9MP90	1069447

2.6 Connector Panel Assembly



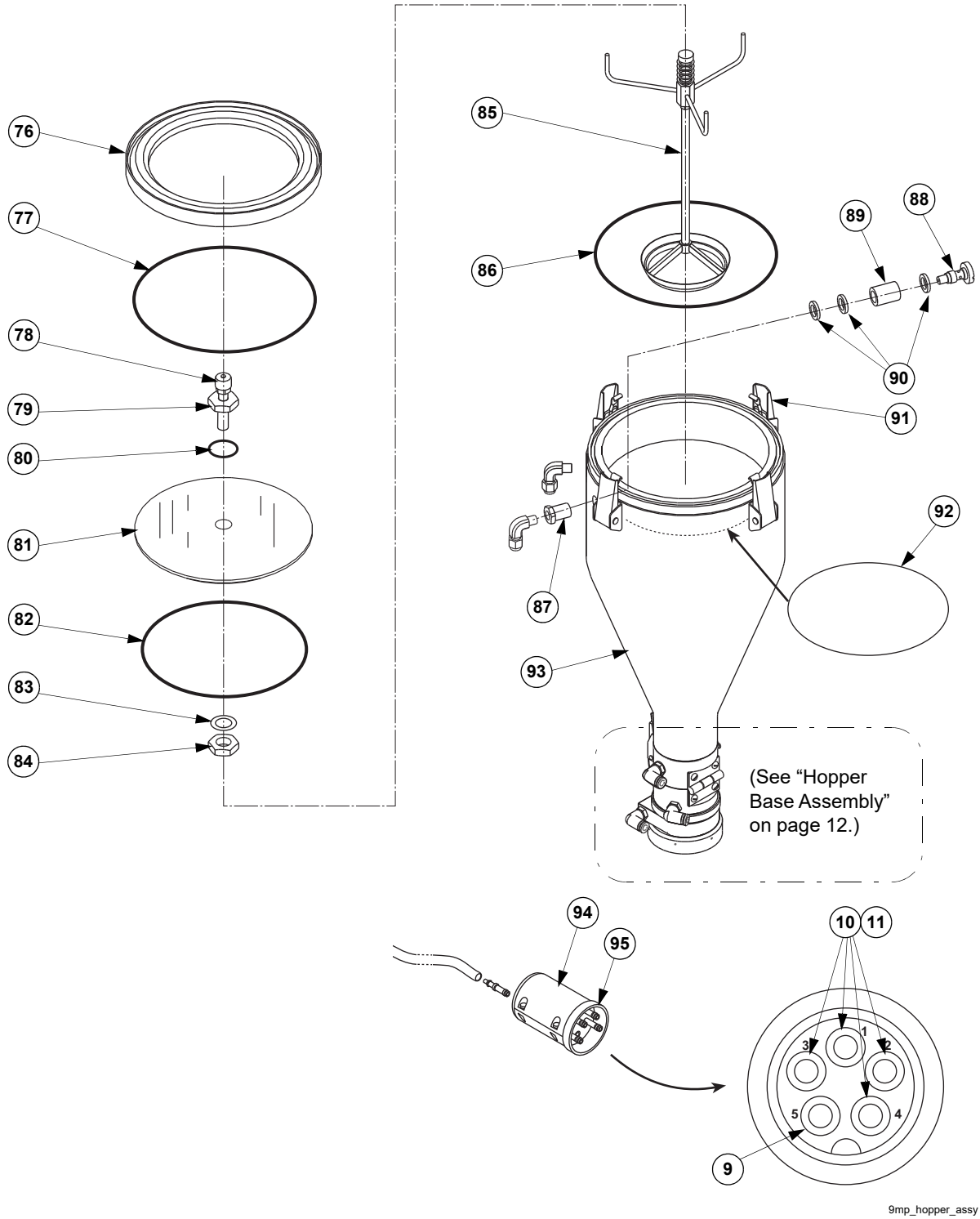
9mpe_G51176-F

Item No.	Description	Qty.	Catalog No.	Order No.
68	Bulkhead Fitting	1	4MP64	1036111
69	Hose Fitting	1	2H2	1000495
70	Bulkhead Fitting	1	4MP13	1031767
71	Hose Fitting	1	M46	1028711
72	⁽¹⁾ Fuse, 4A, 250VAC, Glass, 5mm x 20 (1FU, 3FU)	2	6CE38882	1016606
73	Fuse Holder	1	PPC51087	1037827
74	Connector (1RECP)	1	—	—
75	Line Filter, 10A RFI 115-250VAC (1MPS)	1	PKG51155	1035940

1. For 115V applications, use 6 amp / 120 volt fuse for main power fuse 1FU.

PL 74556 EN 09 Released on: 07/02/2018

2.7 Hopper Assembly

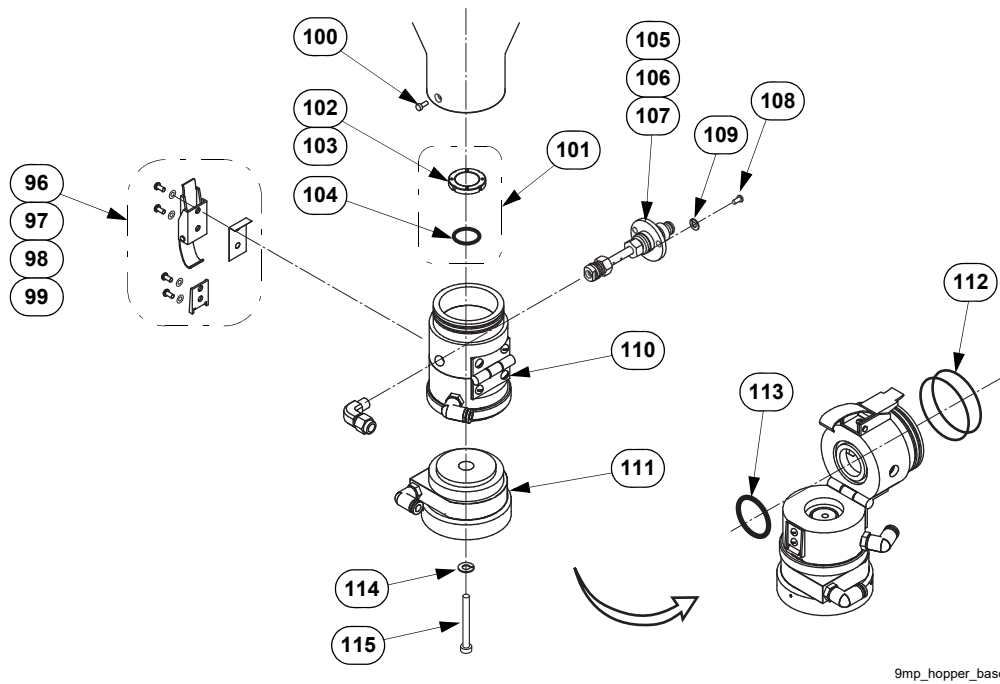


PL 74556 EN 09 Released on: 07/02/2018



Item No.	Description	Qty.	Catalog No.	Order No.
1	Hopper Assembly (complete)	1	9MP40	1001715
9	Socket Terminal	1	ATC603	1021557
10	Plug Terminal	4	ATC609	1001762
11	O-ring, 0.170 X 0.048 (pkg. 5)	4	DJP13	1001904
76	Hopper Cover	1	4MP243	1031783
77	O-ring, 7.84 X 0.139 Buna-N	1	4MP241	1000911
78	Relief Valve	1	4MP145	1000880
79	Bushing	1	9MP47580	1090668
80	O-ring, 0.864 X 0.070 (pkg. 3)	1	10E46	1000100
81	Hopper Window	1	4MP242	1031782
82	O-ring, 170mm X 4mm Buna	1	4MP244	1000912
83	Washer	1	4MP138	1000877
84	Nut	1	4MP137	1000876
85	Filter Assembly	1	4MP298	1000913
86	Tetraseal Ring, 7.234 x 0.134	1	4MP227	1000910
87	Filter Base	1	9MP61	1001726
88	Filter Holder	1	9MP48680	1039223
89	Filter, 1/2" OD	1	4MP373	1000920
90	Seal (pkg. 4)	3	6MP367	1001333
91	Hopper Latch Package	4	4MP144	1000879
92	Tetraseal, 7.484 x 0.134	1	ATC214	1001755
93	Hopper (includes items 91 & 92)	1	9MP47614	1091870
94	Multitube Plug (includes item 95)	1	ATC608	1001761
95	Multiplug Locking Nut	1	9MP108514	1076884

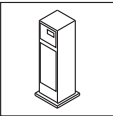
2.7.1 Hopper Base Assembly



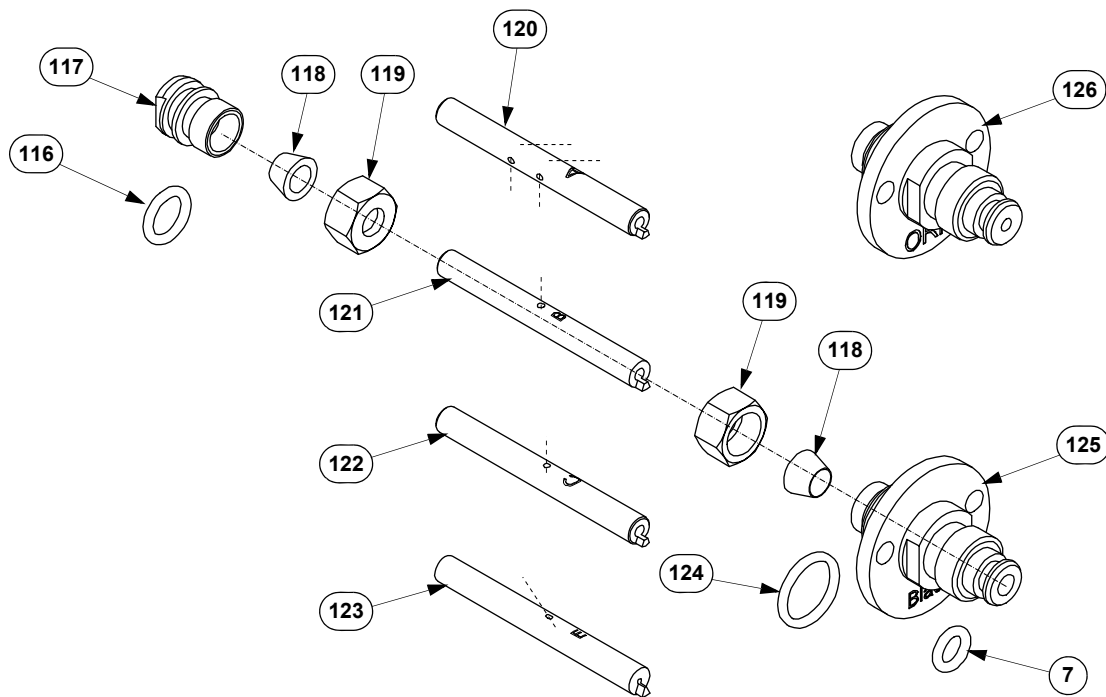
9mp_hopper_base

Item No.	Description	Qty.	Catalog No.	Order No.
96	Hopper Base Latch	1	4MP188	1000895
97	Screw 8-32 X 3/8 (pkg. 4)	4	7MP295	1001562
98	Lock Washer, Split Spring (pkg. 4)	4	PPG27138	1028776
99	Spacer Shim	1	—	—
100	Screw, 8-32 X 3/16	2	—	—
101	Filter Package (incl. items 102-104)	—	4MP164	1000889
102	Filter Adapter Nut Assembly (includes item 103)	1	4MP215	1000907
103	Hopper Base Filter	1	4MP165	1000890
104	O-ring, 0.676 X 0.070 (pkg. 3)	1	K46-2D	1002008
105	Powder Port Shaft Assembly "A" Complete (See page 13.)	—	4MP153	1000884
106	Powder Port Shaft Assembly "B" Complete (See page 13.)	1	4MP156	1000887
107	Powder Port Shaft Assembly "C" Complete (See page 13.)	—	4MP157	1000888
108	Screw (pkg. of 5)	2	P62	1002156
109	Lock Washer (pkg. of 6)	2	6MP317	1001329
110	Hopper Base and Plug Assembly	1	9MP62	1032525
111	Turbine Vibrator Assembly	1	9MP58506	1059221
112	O-ring, 2.234 x 0.139 (pkg. 2)	2	3M531	1000703
113	O-ring, 27mm X 6mm (pkg. 2)	1	4MP142	1000878
114	Lock Washer	1	CU473	1005812
115 ⁽¹⁾	Cap Screw, 1/4-20 X 2 -1/4 in.	1	9MPDJ42263	1071014

1. This screw is too short for older Hopper Base and Plug Assemblies. For older powder feeders, procure screw locally, 1/4-20 X 2-5/8 in.



2.7.2 Powder Port Shaft Assembly



9mp_powderport

Item No.	Description	Qty. (1)	Catalog No.	Order No.
7	O-ring, 0.208 X 0.070 (pkg. 2)	1	6MP129	1001323
116	O-ring, 0.301 X 0.070 (pkg. 4)	1	4MP154	1000885
117	Threaded Insert	1	4MP951	1000939
118	Ferrule (pkg. 2)	2	DJP117	1005857
119	Nut (pkg. 2)	2	4MP952	1000940
Pickup Shaft Options				
120	Pickup Shaft Insert "A" (optional) (includes item 118)	—	4MP950-A	1000936
121	Pickup Shaft Insert "B" (includes item 118)	1	4MP950-B	1000937
122	Pickup Shaft Insert "C" (optional) (includes item 118)	—	4MP950-C	1000938
123	Pickup Shaft Insert "E" (optional) (includes item 118)	—	DJP116	1001898
124	O-ring, 0.426 X 0.070 (pkg. 4)	1	4MP155	1000886
Flanged Coupling Options				
125	Flanged Coupling (for black hose and Pickup Shaft Insert "A" or "B")	1	4MP953	1000941
126	Flanged Coupling (for orange hose and Pickup Shaft Insert "C")	—	4MP954	1000942
Complete Pickup Shaft Assemblies				
105	Powder Port Shaft Assembly "A", Complete (Refer to AI 43562.)	—	4MP153	1000884
106	Powder Port Shaft Assembly "B", Complete (Refer to AI 43562.)	1	4MP156	1000887
107	Powder Port Shaft Assembly "C", Complete (Refer to AI 43562.)	—	4MP157	1000888
127 ⁽²⁾	Powder Port Shaft "D" (1-piece; includes items 7, 116 & 124)	—	4MP210	1000905

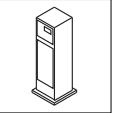
1. Items with no quantity are optional.
2. Special applications

3 Additional Equipment

3.1 Hoses and Cables

Item No.	Description	Qty. ⁽¹⁾	Catalog No.	Order No.
Carrier Gas Hoses				
128	Carrier Gas Hose 4.6m (15')	1	AJ10	1001746
129	Carrier Gas Hose 9.8m (32')	—	9MP220	1000726
Air Vibrator Hoses				
130	Air Vibrator Hose 4.6m (15')	1	PB30	1002188
131	Air Vibrator Hose 9.1m (30')	—	3M815	1000725
Powder Feed Hoses (Powder Feeder to Spray Gun)				
132	Black, 2.74m (9')	1	4MP195	1000897
133	Black, 4.57m (15')	—	9MP335	1000917
134	Black, 9.14m (30')	—	9MP200	1000898
135	Black, (Length made to order; max. 30 m (100'))	—	PFHBLKCTO	1034353
136	Orange, 2.74m (9')	1	4MP194	1000896
137	Orange, 4.57m (15')	—	DJP335	1001910
138	Orange, 9.14m (30')	—	DJP200	1001908
139	Orange, 15.15m (50')	—	DJ601	1001843
140	Orange, (Length made to order; max. 30 m (100'))	—	PFHORGCTO	1034385
141	Blue, 2.74m (9')	—	DJP710-10	1001931
142	Blue, 4.57m (15')	—	DJP710-15	1001932
143	Blue, 9.14m (30')	—	DJP710-30	1001933
144	Blue, (Length made to order; max. 30 m (100'))	—	PFHBLUCTO	1034386
Strain Relief Hoses (Hopper to Bulkhead Fitting)				
145	Braided Hose, 0.46m (18") L, 4.8 mm (3/16") ID	1	9MP821	1000932
146	Braided Hose, 0.46 m (18") L, 3.2 mm (1/8") ID	—	9MP819	1001735
147	Braided Hose, Blue, 0.46 m (18") L, 2.4 mm (3/32") ID	—	DJP705	1001929
Cables				
148	AC Input Line Cord	1	—	—

1. Items with no quantity are optional.

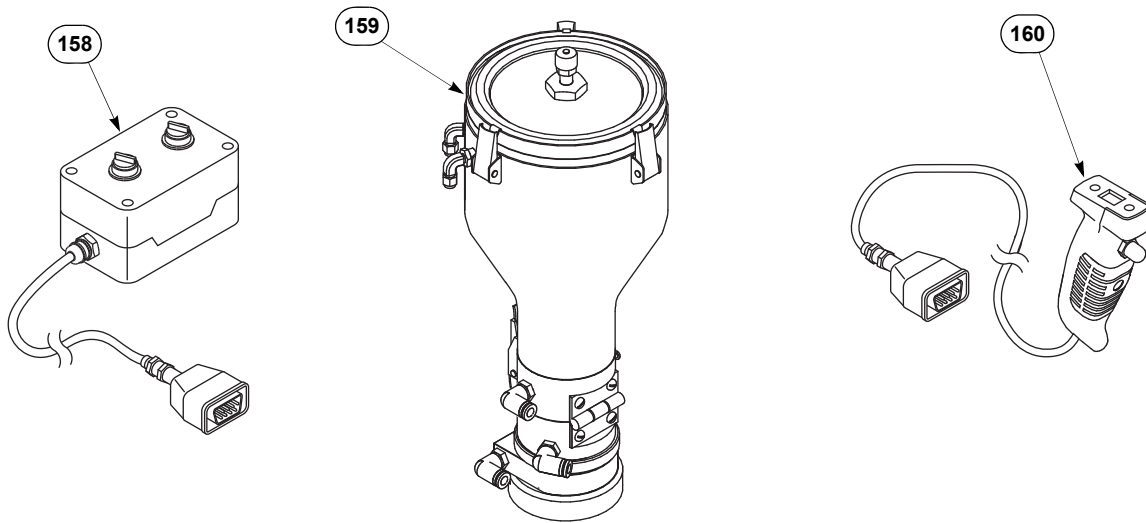


3.2 Tools and Spares

Item No.	Description	Qty. ⁽¹⁾	Catalog No.	Order No.
149	Spanner Wrench	1	4MP167	1000891
150	Leak Check Fitting	—	9MP8	1032529
151	Gas Calibration Adapter	—	9MP965	1001738
152	Calibration Weight Set	—	9MP966	1005536
153	Powderlube	1	9MP119	1002137
154	Tubing, White, Soft, 1m (3')	—	9MP58520	1051696
155	Tubing Polyurethane, 3.5m (12')	—	9MPDJ57972	1038059
156	Service Plug	—	9MP971	1032534
157	Spare Seal Package (includes the following items:)	1	9MP63	1001727
7	O-ring, 0.208 X 0.070	1	6MP129	1001323
11	O-ring, 0.170 X 0.048	5	DJP13	1001904
80	O-ring, 0.864 X 0.070	2	10E46	1000100
82	O-ring, 170mm X 4mm Buna	1	4MP244	1000912
86	Tetraseal Ring, Cross-Section 0.134, DURO 7	1	4MP227	1000910
113	O-ring, 27mm X 6mm	1	4MP142	1000878
104	O-ring, 0.676 X 0.070	1	K46-2D	1002008
116	O-ring, 0.301 X 0.070	1	4MP154	1000885
124	O-ring, 0.426 X 0.070	1	4MP155	1000886

1. Items with no quantity are optional.

3.3 Accessories (Optional)



9mpe_options

Item No.	Description	Qty.	Catalog No.	Order No.
158	Remote Control	—	PKG58423	1050357
159	Small Hopper (Refer to AI 108262.)	—	9MP960	1032531
160	MPHE Gun Handle Assembly	—	MPHE	1049830