

9MP Powder Feeder

Plasma / Combustion Spraying

Parts List


PL 41702 EN 07




Oerlikon Metco (US) Inc.

1101 Prospect Avenue

Westbury NY 11590

 +1 516 334 1300

 +1 516 338 2414

www.oerlikon.com/metco

Spare Parts Categories

C = Consumable Parts

Parts subjected to major wear during normal operation. These parts require replacement on a regular basis.

Recommended in order to avoid downtimes.

W = Wear Parts

Parts used for maintenance service. These parts are likely and expected to wear out during the life of the product.

Wear parts are not subject to warranty.

K = Critical Parts

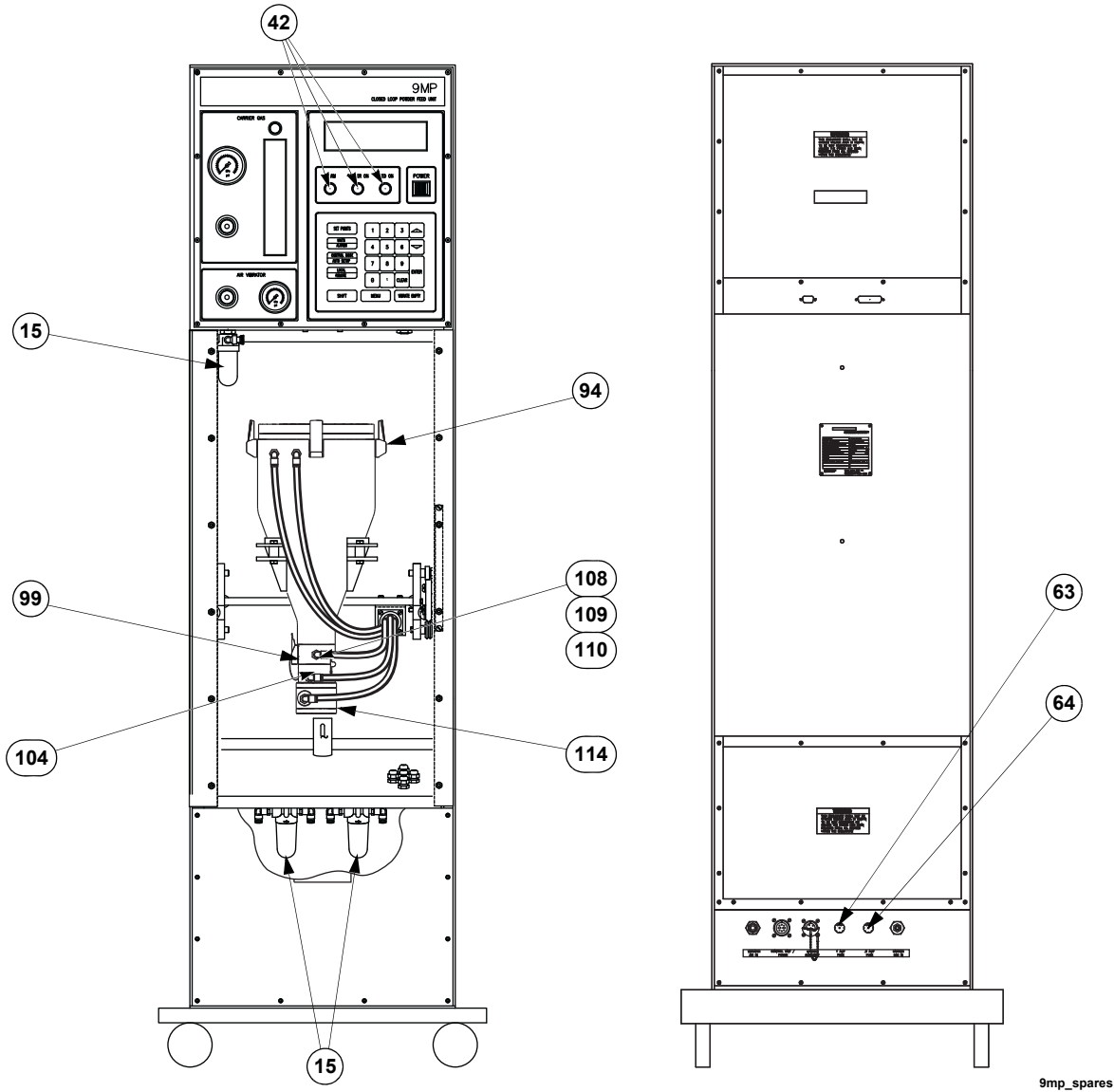
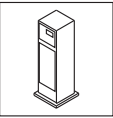
Parts recommended in order to guarantee maximum availability of component. This prevents downtime caused by delay in procurement.



Warranty Disclaimer

Installing non-Oerlikon Metco spare parts on Oerlikon Metco equipment voids the product warranty.

1 List of Recommended Spare Parts, 9MP



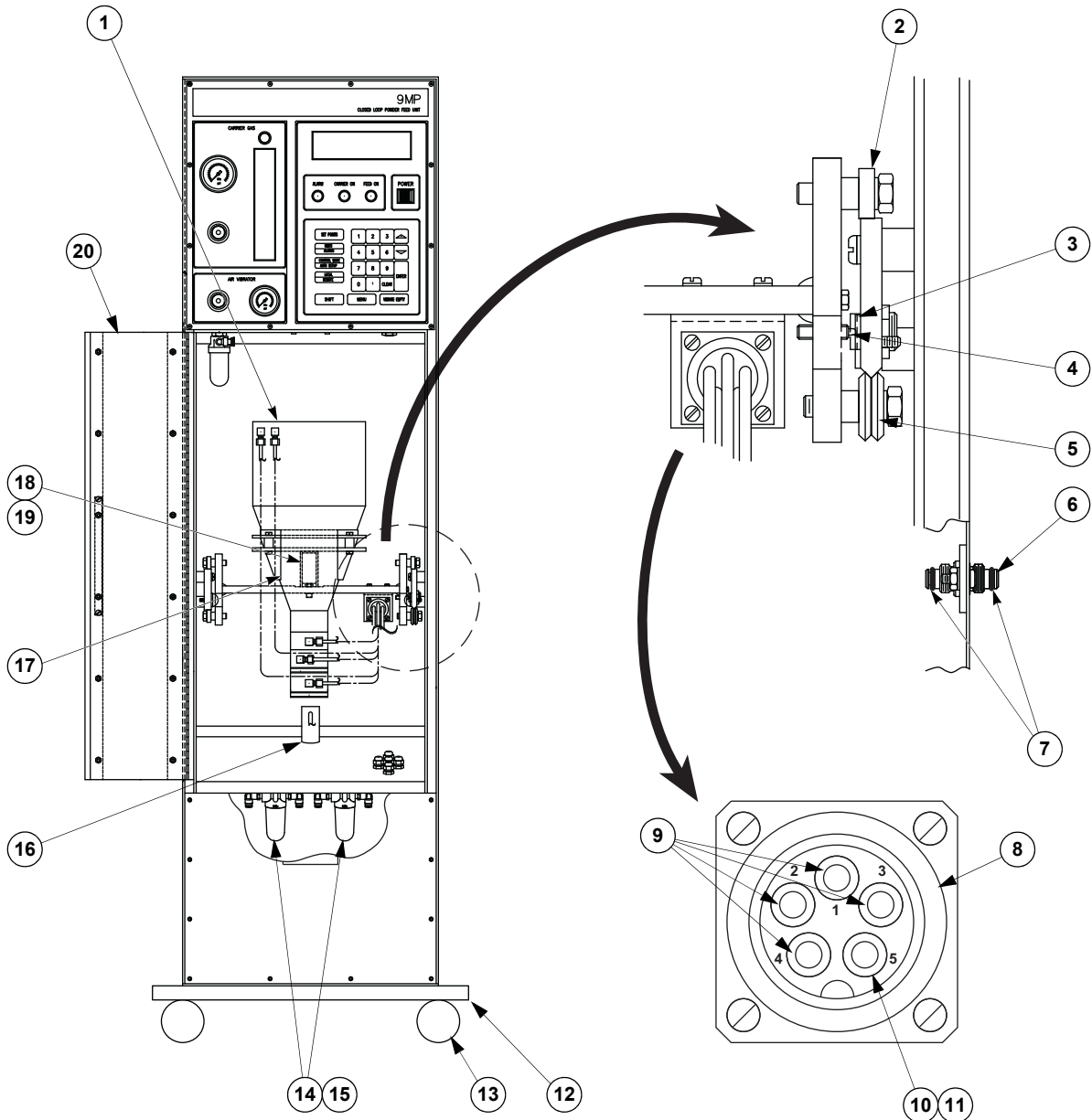
9mp_spare

Item No.	Description	Qty.	Cat	Catalog No.	Order No.
15	Filter Element	3	C	6MP427	1001335
42	Neon Bulb (pkg. 3)	5	K	KR414	1002022
63	Fuse (1 amp, 3AG, Slo-Blo) (pkg. 5)	1	K	3M574	1000706
64	Fuse (0.5 amps, 3AG, Slo-Blo) (pkg. 5)	1	K	9MP51	1001719
94	Hopper Latch Package	1	W	4MP144	1000879
99	Hopper Base Latch	1	W	4MP188	1000895
104	Hopper Base Filter Package	1	W	4MP164	1000889
108	Powder Port Shaft Assembly "A"	1	C	4MP153	1000884
109	Powder Port Shaft Assembly "B"	1	C	4MP156	1000887
110	Powder Port Shaft Assembly "C"	1	C	4MP157	1000888
114	Turbine Vibrator Assembly	1	C	9MP58506	1059221
162	Spare Seal Package	1	W	9MP63	1001727

2 Parts List for 9MP Powder Feeder

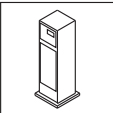
9MP Powder Feeder	9MP	1019867
9MP Powder Feeder (Laser Clad)	9MP-LC	1076414

2.1 Cabinet and Hopper Carriage



9mp_cabinet

PL 41702 EN 07 Released on: 07/02/2018

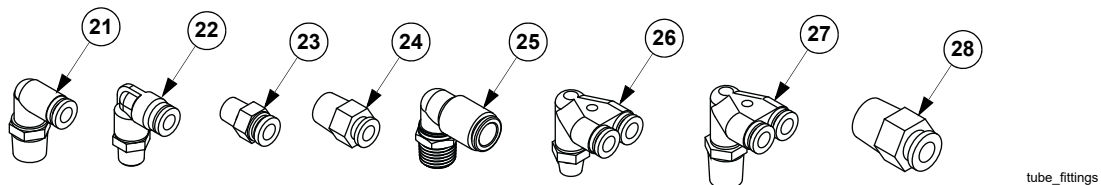


Item No.	Description	Qty.	Catalog No.	Order No.
1	Hopper Assembly (See "Hopper Assembly" on page 10.)	1	9MP40	1001715
2	Ball Bearing	3	RG69	1002359
3	Detent Button	2	9MP11	1032492
4	Spring Plunger	1	9MP13	1032495
5	Guide Wheel	2	9MP12	1036953
6	Bulkhead Fitting	1	4MP811	1000931
7	O-ring	2	6MP129	1001323
8	Multitube Socket	1	9MP14	1001694
9	Socket Terminal	4	ATC603	1021557
10	Plug Terminal	1	ATC609	1001762
11	O-ring (pkg. of 5)	1	DJP13	1001904
12	Truck Assembly (includes item 13)	1	9MP67	1005534
13 ⁽¹⁾	Swivel Caster	4	9MP20554	1062053
14	Filter	2	6MP426	1001334
15	Filter Element	2	6MP427	1001335
16	Exhaust Pinch Valve Assembly	1	9MP45	1001718
17	Vibration Isolation Pad	1	9MP40915	1005538
18	Load Cell	1	9MP70	1001730
19 ⁽²⁾	Load Cell (20 Kg.)	—	9MP55778	1032514
20	Cabinet Door	1	9MP10	1039193

1. Original casters are welded to truck. Remove and replace wheel and axial only.
2. 9MP-LC

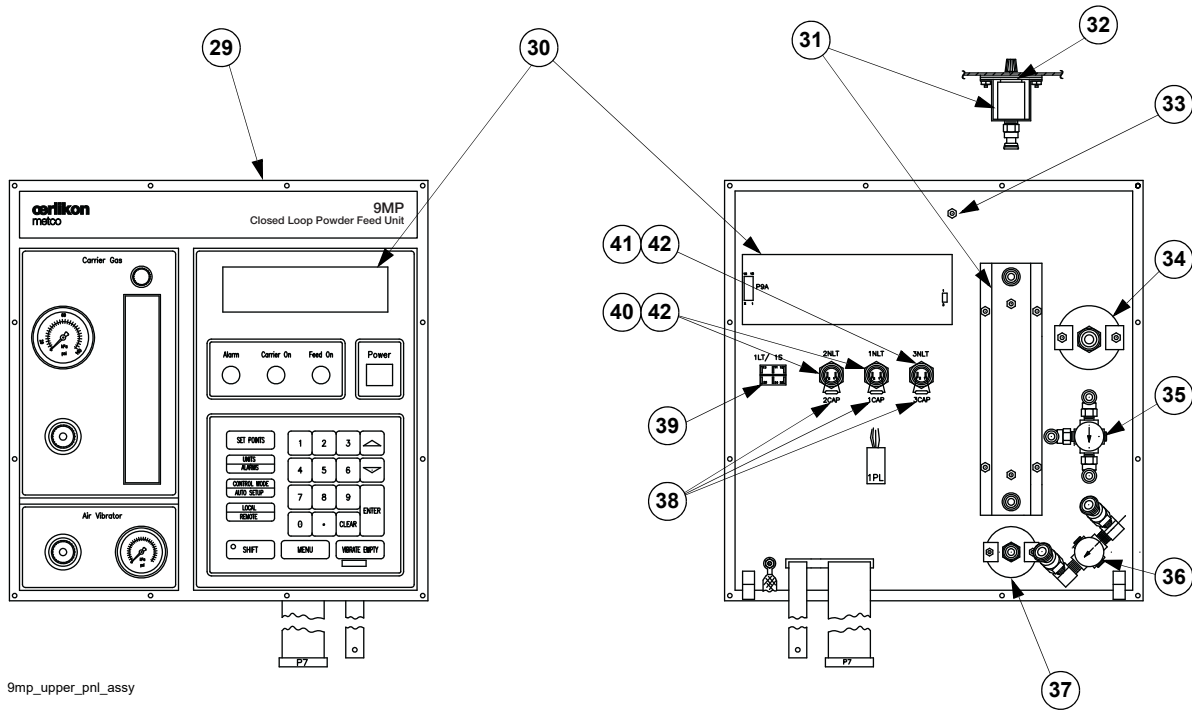
2.2 Tube Fittings

Some of the tube fittings below are used throughout the 9MP. They are not indexed or identified in the parts list. Use the descriptions below to identify them for replacement.



Item No.	Description	Catalog No.	Order No.
21	Elbow, 1/4" Tube X 1/4" NPTM	9MPDJ45600	1038054
22	Elbow, 1/4" Tube X 1/8" NPTM	9MPDJ45601	1038055
23	Tube Fitting, 1/4" Tube X 1/8" NPTM	PPC45602	1064437
24	Tube Fitting, 1/4" Tube X 1/4" NPTM	9MP45603	1083012
25	Elbow, 3/8" Tube X 1/4" NPTM	9MP45605	1083013
26	Elbow Wye, 1/4" Tube X 1/8" NPTM	9MP49493	1083014
27	Elbow Wye, 1/4" Tube X 1/4" NPTM	9MP49494	1083015
28	Tube Fitting, 1/2" Tube X 1/2" NPTM	PPC51488	1064436

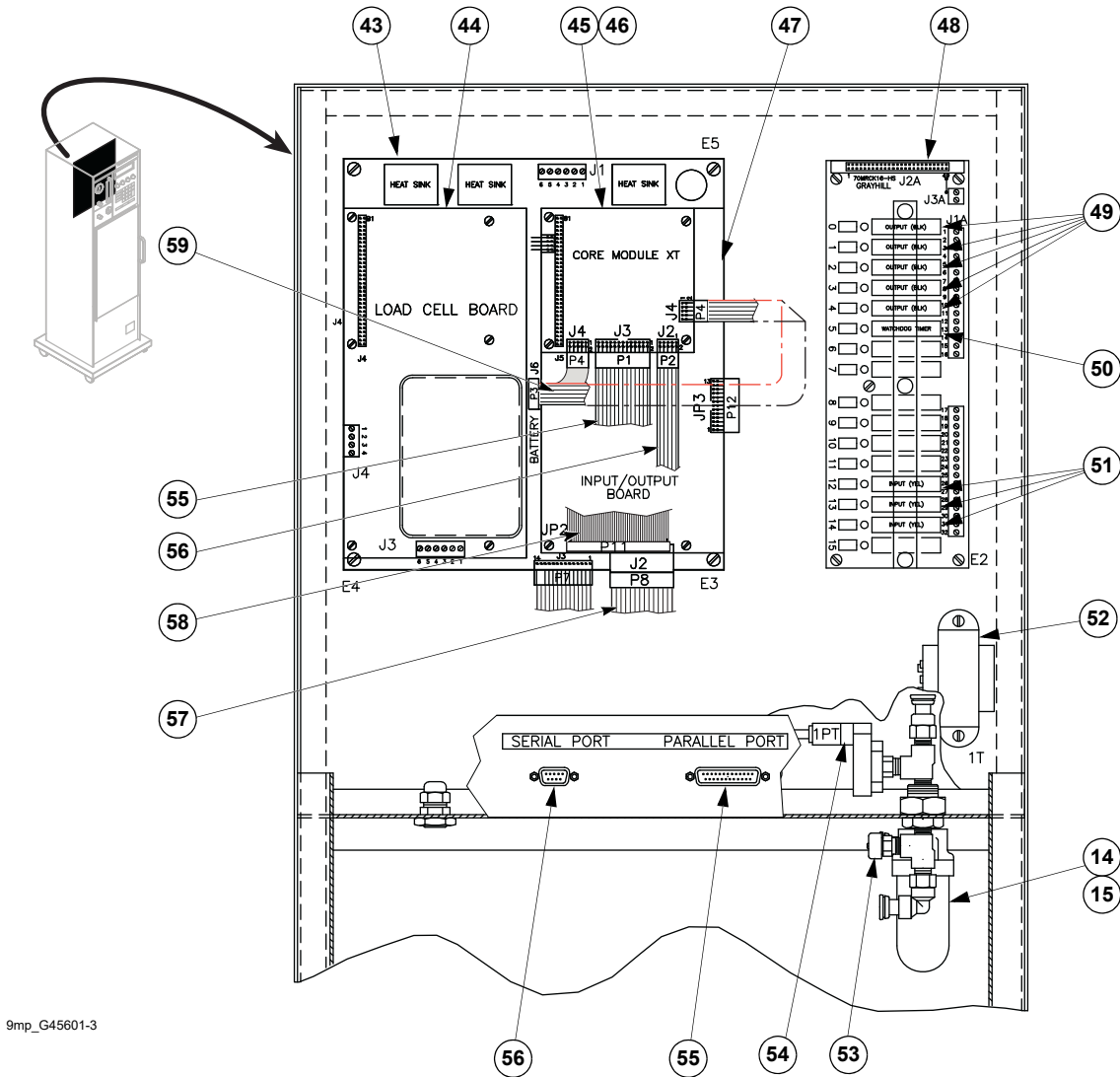
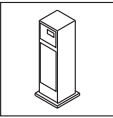
2.3 Upper Panel Assembly



Item No.	Description	Qty.	Catalog No.	Order No.
29	Front Panel Assembly (includes keypad)	1	9MP65	1032526
30	Display Module	1	9MP18	1001703
31	Flowmeter	1	9MP19	1001704
32	Flowmeter Window	1	9MP20	1036019
33	Restraining Cable	1	9MP16	1061604
34	Pressure Gauge, 100 psi	1	4RC55	1000955
35	Regulator, 1-50 psig	1	9MP23	1001705
36	Regulator, 1-50 psig	1	9MP24	1020729
37	Pressure Gauge, 60 psi	1	CPU475	1020800
38	Capacitor (.01 uf, 1000 V)	3	7MC216	1005302
39	Rocker Switch	1	9MP41	1036062
40	Light (Amber)	2	7MC54	1001534
41	Light (Red)	1	7MC53	1006229
42	Neon Bulb	3	KR414	1002022

PL 41702 EN 07 Released on: 07/02/2018

2.4 Upper Bulkhead Component Assembly



9mp_G45601-3

PL 41702 EN 07 Released on: 07/02/2018

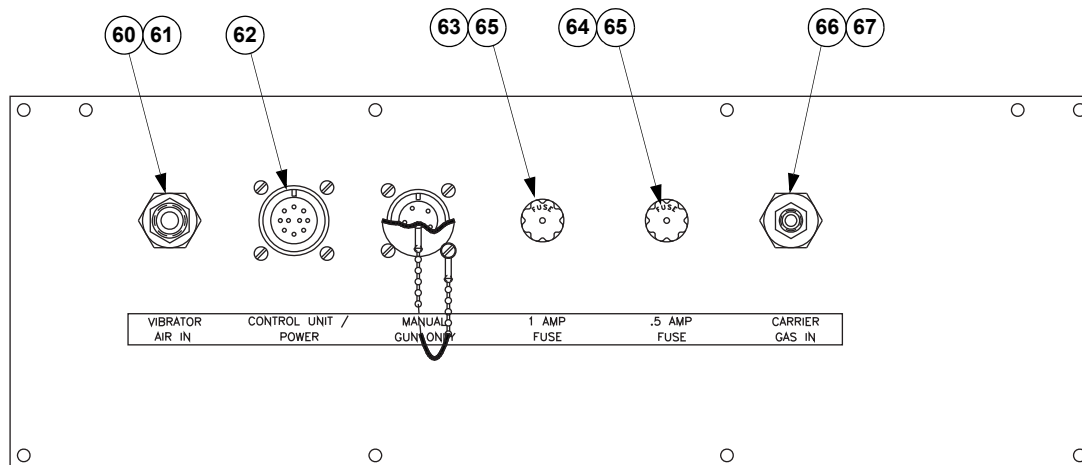
Item No.	Description	Qty.	Catalog No.	Order No.
14	Filter	1	6MP426	1001334
15	Filter Element	1	6MP427	1001335
43	Mother Board 9MP Feeder	1	9MP2525	1001706
44	Load Cell Board	1	9MP28	1006214
45	Core Module (CPU)	1	9MP2026	1032499
46	Compact Flash Card (programmed)	1	9MP56431	1032517
47	Input / Output Board	1	9MP27	1001708
48	Mini-Module Rack	1	9MP29	1032505
49	AC Output Module (Blk)	5	9MP31	1001709
50	Watchdog Timer (Blu)	1	9MP33	1001712
51	AC Input Module (Yel)	3	9MP32	1001710
52	Transformer (1T)	1	9MP35	1016510

(Continued on next page.)

(Continued from preceding page.)

Item No.	Description	Qty.	Catalog No.	Order No.
53	Relief Valve	1	4MP145	1000880
54	Pressure Transducer,0-15 PSI (1PT)	1	9MP36	1001713
55	Ribbon Cable (Parallel Port; older versions only)	1	9MP89	1069446
56	Ribbon Cable (Serial Port)	1	9MP88	1069445
57	Ribbon Cable (MB Display)	1	9MP91	1069448
58	Ribbon Cable (Analog/Digital Output)	1	9MP92	1069449
59	Ribbon Cable (MB Battery)	1	9MP90	1069447

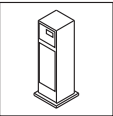
2.5 Connector Panel Assembly



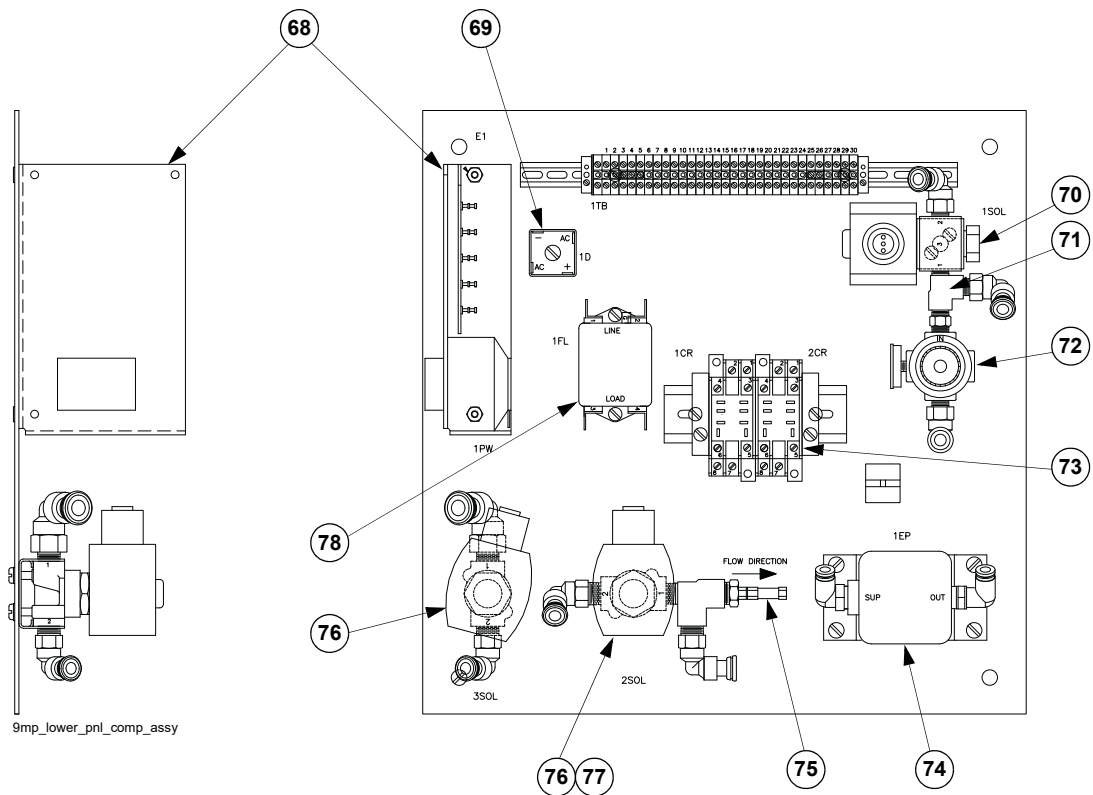
9mp_conn_pnl

Item No.	Description	Qty.	Catalog No.	Order No.
60	Bulkhead Fitting	1	4MP64	1036111
61	Hose Fitting	1	2H2	1000495
62	Receptacle - 5 Terminal - Female	1	5CO26	1031875
63	Fuse (1 amp, 3AG, Slo-Blo)	(pkg. of 5)	3M574	1000706
64	Fuse (0.5 amps, 3AG, Slo-Blo)	(pkg. of 5)	9MP51	1001719
65	Fuse Holder	2	6MP361	1001332
66	Bulkhead Fitting	1	4MP13	1031767
67	Hose Fitting	1	M46	1028711

PL 41702 EN 07 Released on: 07/02/2018



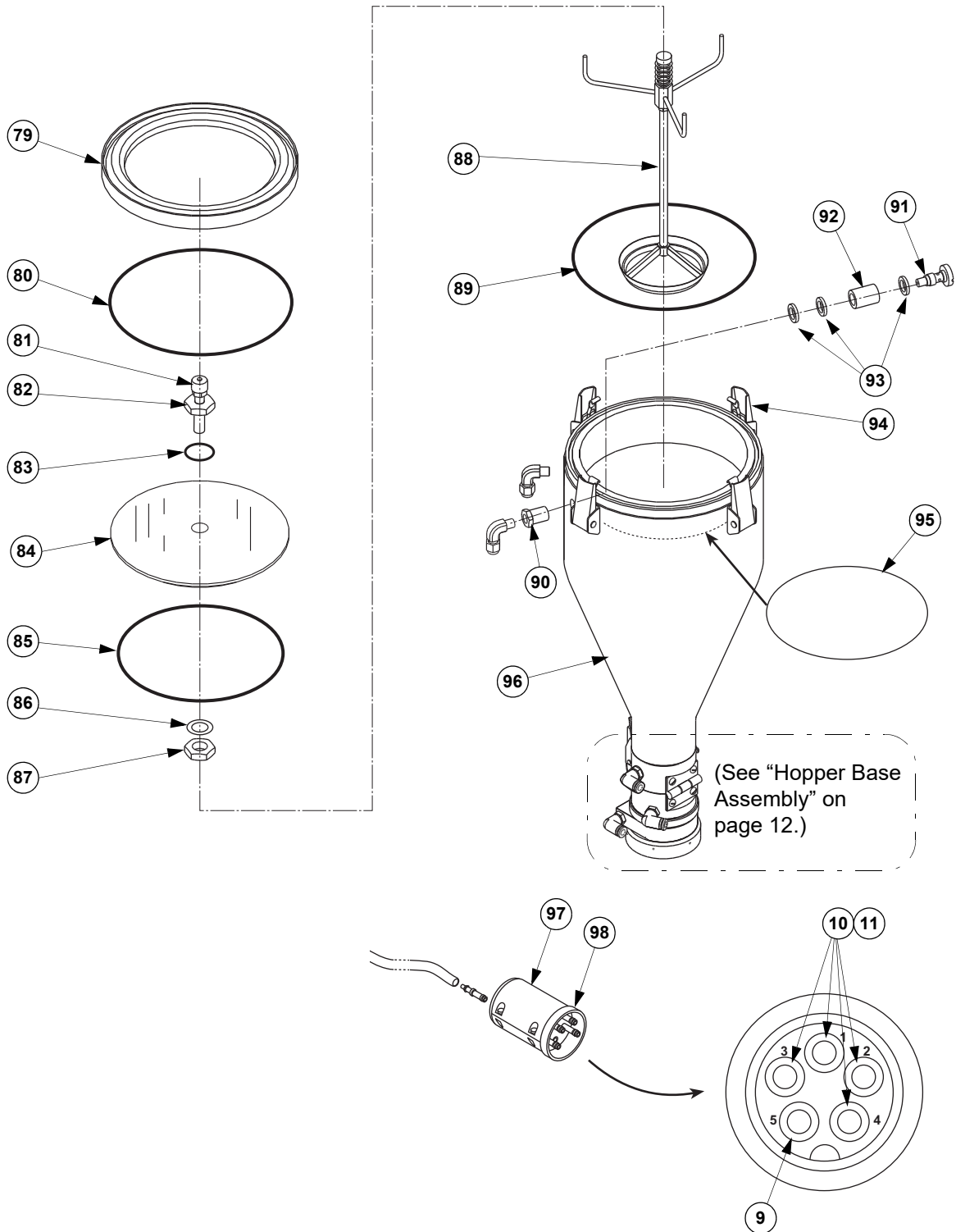
2.6 Lower Panel Components Assembly



Item No.	Description	Qty.	Catalog No.	Order No.
68	Power Supply	1	9MP37	1016511
69	Bridge Rectifier	1	4HE32	1031745
70	Solenoid Valve	1	RC52	1002346
71	Street Tee Fitting	1	5C193	1005193
72	Regulator (1-50 psig)	1	9MP23	1001705
73	Relay DPDT 120 VAC	2	CNR31	1005800
74	Regulator, Electro-Pneumatic, 0-15 psig	1	9MP38	1065072
75	Inline Restrictor	1	DJP24	1022218
76	Solenoid Valve	2	4MP98	1000943
77	Gasket (pkg. of 10)	2	DJP27	1001909
78	Line Filter	1	4MP843	1031813

PL 41702 EN 07 Released on: 07/02/2018

2.7 Hopper Assembly

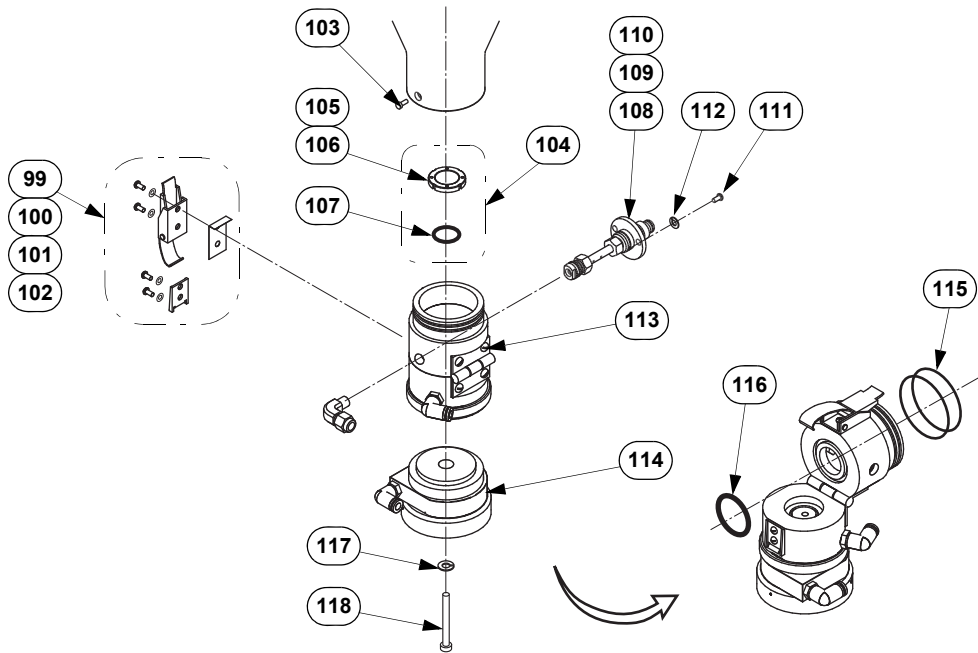


9mp_hopper_assy



Item No.	Description	Qty.	Catalog No.	Order No.
1	Hopper Assembly (complete)	1	9MP40	1001715
9	Socket Terminal	1	ATC603	1021557
10	Plug Terminal	4	ATC609	1001762
11	O-ring, 0.170 X 0.048 (pkg. of 5)	4	DJP13	1001904
79	Hopper Cover	1	4MP243	1031783
80	O-ring, 7.84 X 0.139 Buna-N	1	4MP241	1000911
81	Relief Valve	1	4MP145	1000880
82	Bushing	1	9MP47580	1090668
83	O-ring, 0.864 X 0.070 (pkg. of 3)	1	10E46	1000100
84	Hopper Window	1	4MP242	1031782
85	O-ring, 170mm X 4mm Buna	1	4MP244	1000912
86	Washer	1	4MP138	1000877
87	Nut	1	4MP137	1000876
88	Filter Assembly	1	4MP298	1000913
89	Tetraseal Ring, 7.234 x 0.134	1	4MP227	1000910
90	Filter Base	1	9MP61	1001726
91	Filter Holder	1	9MP48680	1039223
92	Filter, ½" OD	1	4MP373	1000920
93	Seal (pkg. of 4)	3	6MP367	1001333
94	Hopper Latch Package	4	4MP144	1000879
95	Tetraseal, 7.484 x 0.134	1	ATC214	1001755
96	Hopper (includes items 94 & 95)	1	9MP47614	1091870
97	Multitube Plug (includes item 98)	1	ATC608	1001761
98	Multiplug Locking Nut	1	9MP108514	1076884

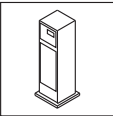
2.7.1 Hopper Base Assembly



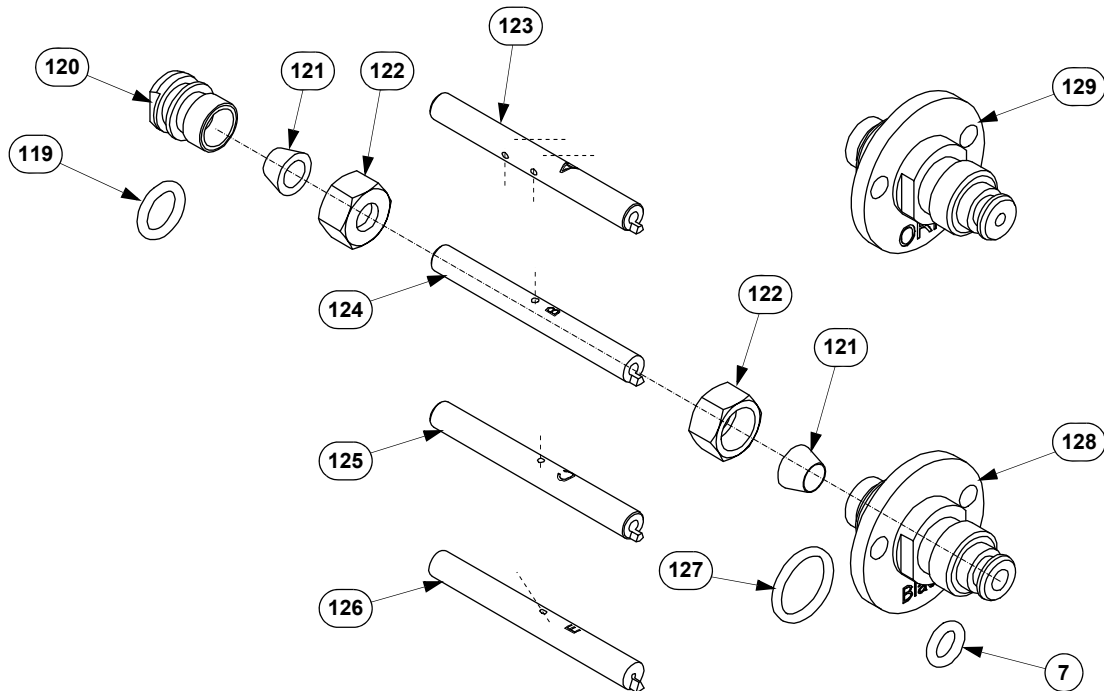
9mp_hopper_base

Item No.	Description	Qty.	Catalog No.	Order No.
99	Hopper Base Latch	1	4MP188	1000895
100	Screw 8-32 X $\frac{3}{8}$ (pkg. of 4)	4	7MP295	1001562
101	Lock Washer, Split Spring (pkg. of 4)	4	PPG27138	1028776
102	Spacer Shim	1	—	—
103	Screw, 8-32 X $\frac{3}{16}$	2	—	—
104	Filter Package (incl. items 105-107)	—	4MP164	1000889
105	Filter Adapter Nut Assembly (incl. item 106)	1	4MP215	1000907
106	Hopper Base Filter	1	4MP165	1000890
107	O-ring, Buna, 0.676 x 0.07 in. (pkg. of 3)	1	K46-2D	1002008
108	Powder Port Shaft Assembly "A" Complete (See page 13.)	—	4MP153	1000884
109	Powder Port Shaft Assembly "B" Complete (See page 13.)	1	4MP156	1000887
110	Powder Port Shaft Assembly "C" Complete (See page 13.)	—	4MP157	1000888
111	Screw (pkg. of 5)	2	P62	1002156
112	Lock Washer (pkg. of 6)	2	6MP317	1001329
113	Hopper Base and Plug Assembly	1	9MP62	1032525
114	Turbine Vibrator Assembly	1	9MP58506	1059221
115	O-ring, Buna, 2.234 x 0.139 in. (pkg. of 2)	2	3M531	1000703
116	O-ring, Buna 27 x 6 mm (pkg. of 2)	—	4MP142	1000878
117	Lock Washer	1	CU473	1005812
118 ⁽¹⁾	Cap Screw, 1/4-20 X 2 -1/4 in.	1	9MPDJ42263	1071014

1. This screw is too short for older Hopper Base and Plug Assemblies. For older powder feeders, procure screw locally, 1/4-20 X 2-5/8 in.



2.7.2 Powder Port Shaft Assembly



9MP_powderport

Item No.	Description	Qty. (1)	Catalog No.	Order No.
7	O-ring, 0.208 X 0.070 (pkg. of 2)	1	6MP129	1001323
119	O-ring, 0.301 X 0.070 (pkg. of 4)	1	4MP154	1000885
120	Threaded Insert	1	4MP951	1000939
121	Ferrule (pkg. of 2)	2	DJP117	1005857
122	Nut (pkg. of 2)	2	4MP952	1000940
Pickup Shaft Options				
123	Pickup Shaft Insert "A" (optional) (includes item 121)	—	4MP950-A	1000936
124	Pickup Shaft Insert "B" (includes item 121)	1	4MP950-B	1000937
125	Pickup Shaft Insert "C" (optional) (includes item 121)	—	4MP950-C	1000938
126 ⁽²⁾	Pickup Shaft Insert "E" (optional) (includes item 121)	—	DJP116	1001898
127	O-ring, 0.426 X 0.070 (pkg. of 4)	1	4MP155	1000886
Flanged Coupling Options				
128	Flanged Coupling (for black hose and Pickup Shaft Insert "A" or "B")	1	4MP953	1000941
129	Flanged Coupling (for orange hose and Pickup Shaft Insert "C")	—	4MP954	1000942
Complete Pickup Shaft Assemblies				
108	Powder Port Shaft Assembly "A", Complete (Refer to AI 43562.)	—	4MP153	1000884
109	Powder Port Shaft Assembly "B", Complete (Refer to AI 43562.)	1	4MP156	1000887
130 ⁽²⁾	Powder Port Shaft Assembly "C", Complete (Refer to AI 43562.)	—	4MP157	1000888
131 ⁽³⁾	Powder Port Shaft "D" (1-piece; includes items 7, 119 & 127)	—	4MP210	1000905

1. Items with no quantity are optional.
2. Supplied standard with 9MP-LC.
3. Special applications

3 Additional Equipment

3.1 Hoses and Cables

Item No.	Description	Qty. ⁽¹⁾	Catalog No.	Order No.
Carrier Gas Hoses				
132	Carrier Gas Hose 4.6m (15')	1	AJ10	1001746
133	Carrier Gas Hose 9.8m (32')	—	9MP220	1000726
Air Vibrator Hoses				
134	Air Vibrator Hose 4.6m (15')	1	PB30	1002188
135	Air Vibrator Hose 9.1m (30')	—	3M815	1000725
Powder Feed Hoses (Powder Feeder to Spray Gun)				
136	Black, 2.74 m (9'), 4.8 mm (3/16") ID	1	4MP195	1000897
137	Black, 4.57 m (15'), 4.8 mm (3/16") ID	—	9MP335	1000917
138	Black, 9.14 m (30'), 4.8 mm (3/16") ID	—	9MP200	1000898
139	Black, (Length made to order; max. 30 m (100'), 4.8 mm (3/16") ID)	—	PFHBLKCTO	1034353
140	Orange, 2.74 m (9'), 3.2 mm (1/8") ID	1	4MP194	1000896
141	Orange, 4.57 m (15'), 3.2 mm (1/8") ID	—	DJP335	1001910
142	Orange, 9.14 m (30'), 3.2 mm (1/8") ID	—	DJP200	1001908
143	Orange, 15.15 m (50'), 3.2 mm (1/8") ID	—	DJ601	1001843
144	Orange, (Length made to order; max. 30 m (100'), 3.2 mm (1/8") ID)	—	PFHORGCTO	1034385
145	Blue, 2.74 m (9'), 2.4 mm (3/32") ID	—	DJP710-10	1001931
146	Blue, 4.57 m (15'), 2.4 mm (3/32") ID	—	DJP710-15	1001932
147	Blue, 9.14 m (30'), 2.4 mm (3/32") ID	—	DJP710-30	1001933
148	Blue, (Length made to order; max. 30 m (100'), 2.4 mm (3/32") ID)	—	PFHBLUCTO	1034386
Strain Relief Hoses (Hopper to Bulkhead Fitting)				
149	Braided Hose, 0.46 m (18") L, 4.8 mm (3/16") ID	1	9MP821	1000932
150	Braided Hose, 0.46 m (18") L, 3.2 mm (1/8") ID	—	9MP819	1001735
151	Braided Hose, Blue, 0.46 m (18") L, 2.4 mm (3/32") ID	—	DJP705	1001929
Cables				
152	Power Adapter Cable	1	9MP21	1032501
153	Feeder to Controller Cable	1	9MP80	1016512

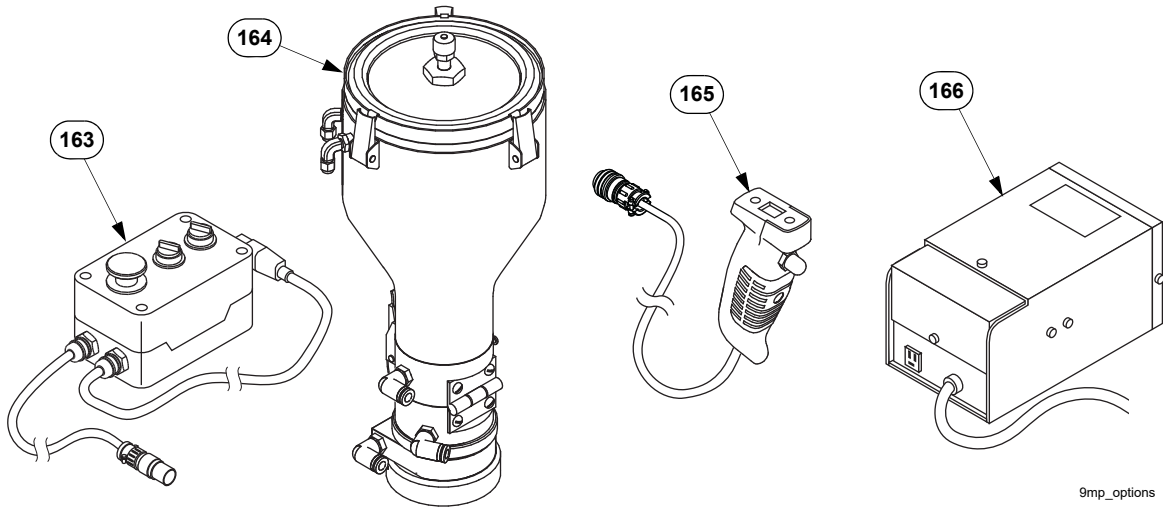
1. Items with no quantity are optional.

3.2 Tools and Spares

Item No.	Description	Qty. ⁽¹⁾	Catalog No.	Order No.
154	Spanner Wrench	1	4MP167	1000891
155	Leak Check Fitting	—	9MP8	1032529
156	Gas Calibration Adapter	—	9MP965	1001738
157	Calibration Weight Set	—	9MP966	1005536
158	Powderlube	1	9MP119	1002137
159	Tubing, White, Soft, 1m (3')	—	9MP58520	1051696
160	Tubing Polyurethane, 3.5m (12')	—	9MPDJ57972	1038059
161	Service Plug	—	9MP971	1032534
162	Spare Seal Package (includes the following items:)	1	9MP63	1001727
7	O-ring, 0.208 X 0.070	1	6MP129	1001323
11	O-ring, 0.170 X 0.048	5	DJP13	1001904
83	O-ring, 0.864 X 0.070	2	10E46	1000100
85	O-ring, 170mm X 4mm Buna	1	4MP244	1000912
89	Tetraseal Ring, Cross-Section 0.134, DURO 7	1	4MP227	1000910
116	O-ring, 27mm X 6mm	1	4MP142	1000878
107	O-ring, 0.676 X 0.070	1	K46-2D	1002008
119	O-ring, 0.301 X 0.070	1	4MP154	1000885
127	O-ring, 0.426 X 0.070	1	4MP155	1000886

1. Items with no quantity are optional.

3.3 Accessories (Optional)



Item No.	Description	Qty.	Catalog No.	Order No.
163 ⁽¹⁾	Remote Control Assembly		PKG54915	1050160
164 ⁽¹⁾	Small Hopper (Refer to AI 108262.)		9MP960	1032531
165	Gun Handle	—	DJ125	1001800
166	Step-Down Transformer (200/220/240 VAC to 115 VAC)	—	9MC420	1038025

1. Supplied standard with 9MP-LC.