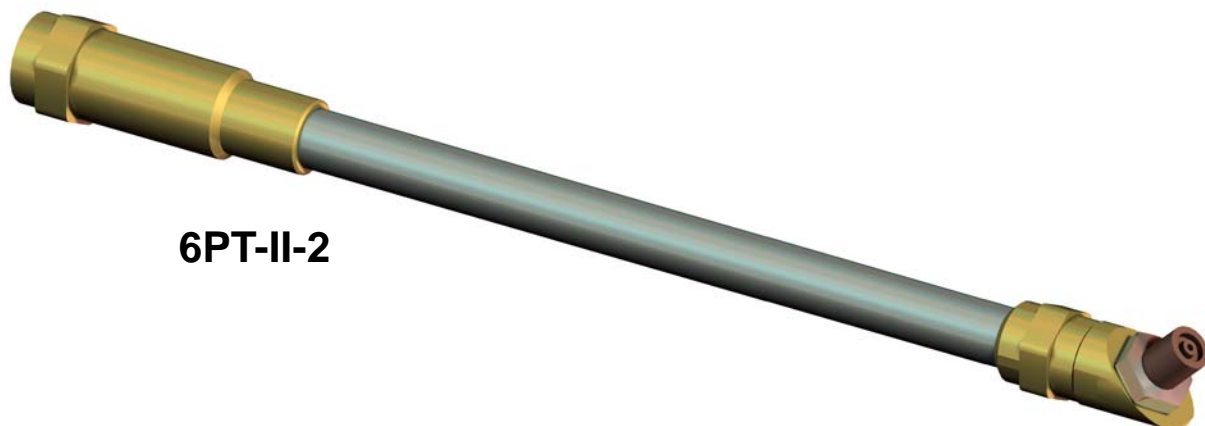
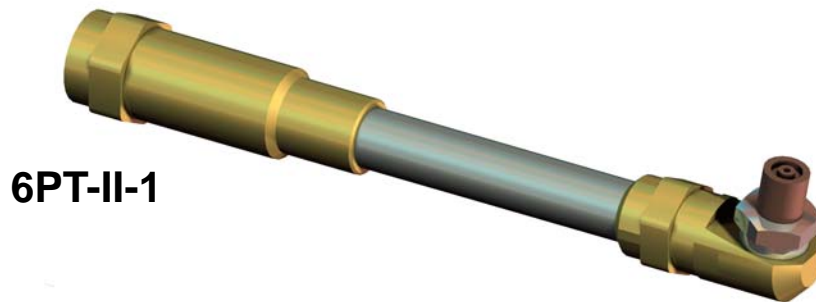


6PT-II ThermoSpray™ Gun Extension Combustion Powder Spraying


Parts List
PL 41657 EN 05




Oerlikon Metco (US) Inc.

1101 Prospect Avenue

Westbury NY 11590

 +1 516 334 1300

 +1 516 338 2414

www.oerlikon.com/metco

Spare Parts Categories

C = Consumable Parts

Parts subjected to major wear during normal operation. These parts require replacement on a regular basis.

Recommended in order to avoid downtimes.

W = Wear Parts

Parts used for maintenance service. These parts are likely and expected to wear out during the life of the product.

Wear parts are not subject to warranty.

K = Critical Parts

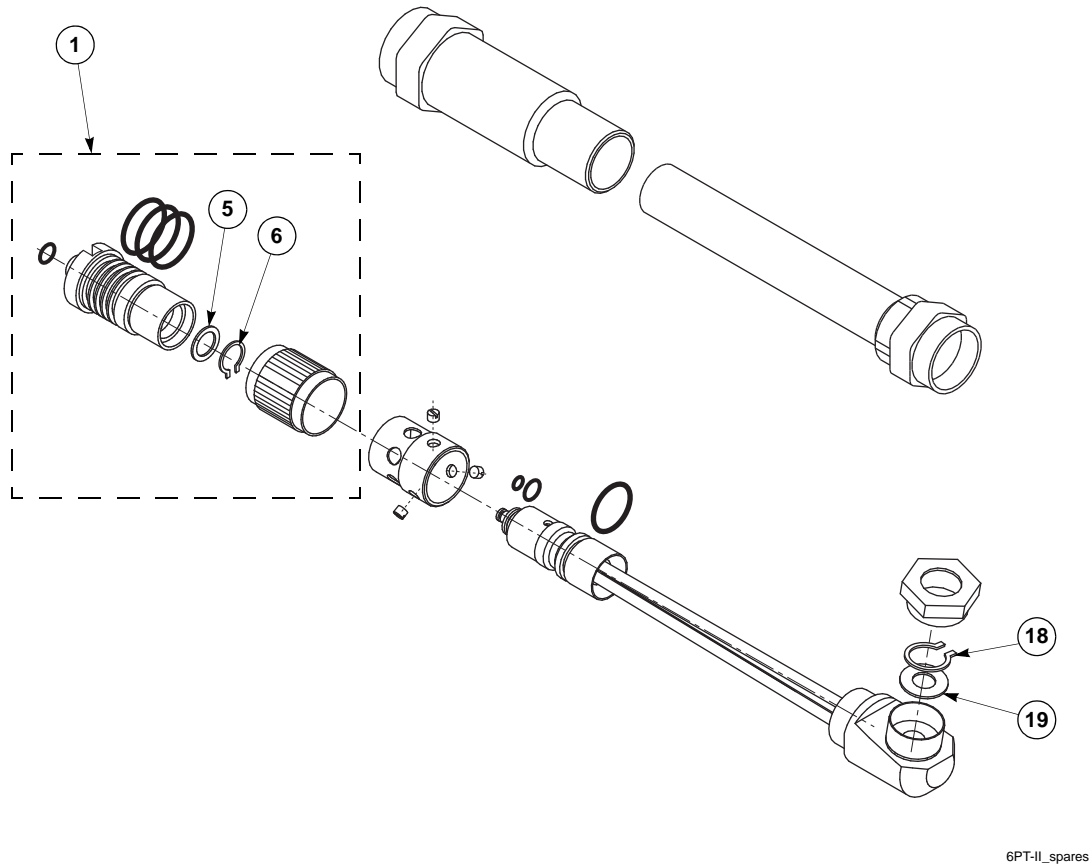
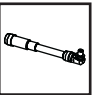
Parts recommended in order to guarantee maximum availability of component. This prevents downtime caused by delay in procurement.



Warranty Disclaimer

Installing non-Oerlikon Metco spare parts on Oerlikon Metco equipment voids the product warranty.

1 List of Recommended Spare Parts for 6PT-II ThermoSpray™ Gun Extension



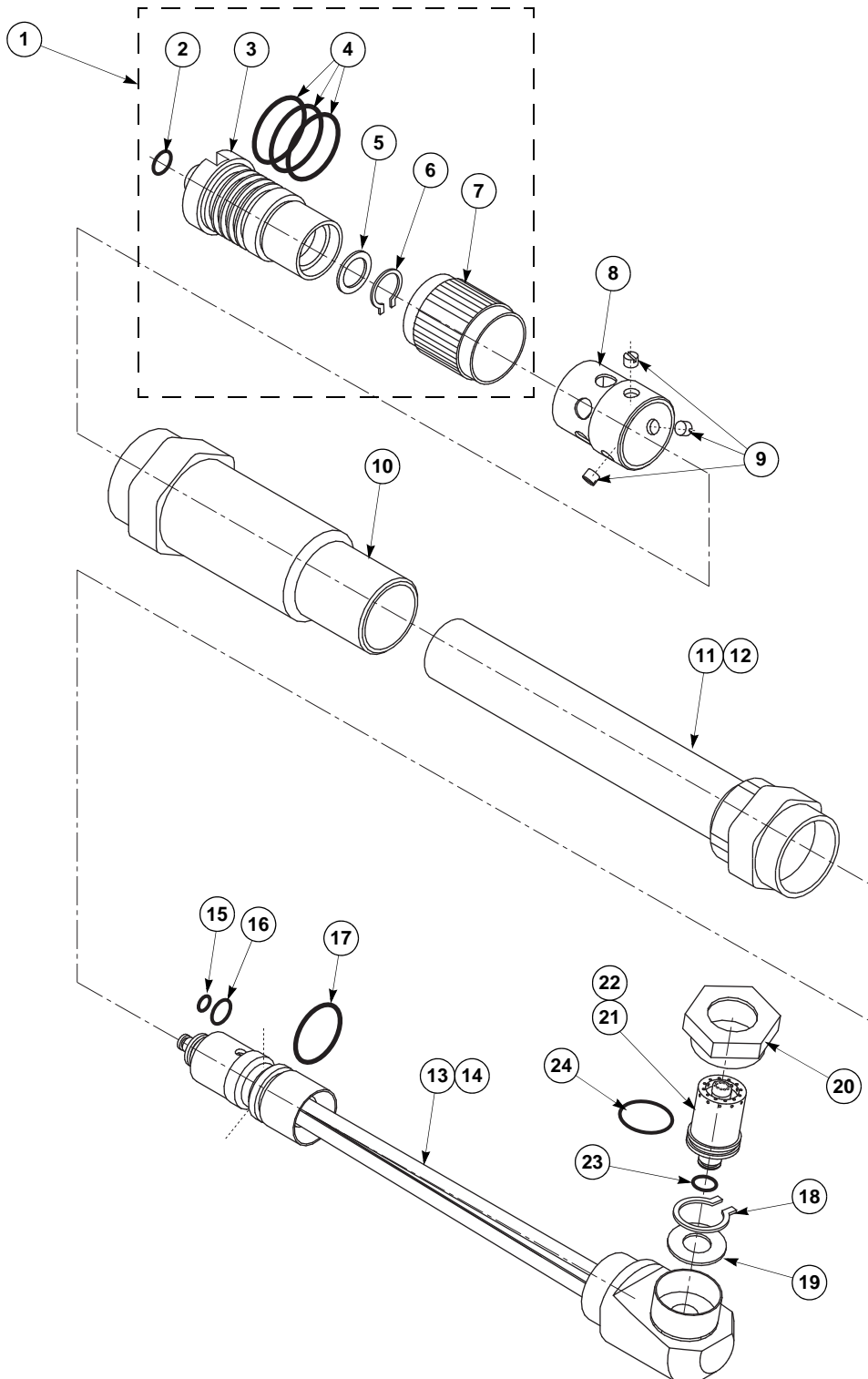
Item No.	Description	Qty.	Cat.	Catalog No.	Order No.
1	Siphon Plug Assembly, 4-Jet	1	K	6PT175	1019788
5	Baffle	1	W	6PT266	1001375
6	Retaining Ring	1	K	5P167	1001151
18	Retaining Ring	1	K	N167	1002119
19	Baffle	1	W	6P518	1001348
29	Reseal Kit	1	W	6PT525	1032133
30	Powderlube	1	C	P119	1002137

PL 41657 EN 05 Released on: 10.01.2017

2 Parts List for 6PT-II ThermoSpray™ Gun Extension

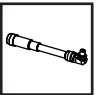
6PT-II-1 Combustion Gun Extension	6PT-II-1	1005270
6PT-II-2 Combustion Gun Extension	6PT-II-2	1001379

2.1 6PT-II Complete Gun Assembly



6PT-II_pl

PL 41657 EN 05 Released on: 10.01.2017



Item No.	Designation	Qty.	Catalog No.	Order No.
1	Siphon Plug Assembly, 4-Jet (includes items 2-7)	1	6PT175	1019788
2	O-Ring, Buna-N, 0.301 X 0.070 in. (pkg. of 2)	1	L186	1002023
3	Siphon Plug, 4-Jet	1	6PT176	1001374
4	O-Ring, Black Viton, 0.862 x 0.103 in. (pkg. of 3)	3	6P81	1001365
5	Baffle	1	6PT266	1001375
6	Retaining Ring (pkg. of 3)	1	5P167	1001151
7	Sleeve	1	6P82	1001366
8	Locking Ring	1	—	—
9	Set Screw, 1/4-20 X 3/16 (pkg. of 5)	3	5PT19	1031892
10	Air Cap Body	1	6PT17	1036188
11 (1)	Air Tube Assembly	1	5PT13-1	1031890
12 (2)	Air Tube Assembly	1	5PT13-2	1016690
13 (1)	Tube Assembly, 305 mm (1'), 80° (includes items 15-19)	1	6PT60-1	1018869
14 (2)	Tube Assembly, 610 mm (2'), 80° (includes items 15-19)	1	6PT60-2	1001376
15	O-Ring, Black Viton, 0.176 x 0.07 in. (pkg. of 3)	1	5P515	1001172
16	O-Ring, Black Viton, 0.551 x 0.07 in. (pkg. of 2)	1	11E108	1000138
17	O-Ring, Buna-N, 0.739 x 0.07 in. (pkg. of 3)	1	5PT21	1001202
18	Retaining Ring (pkg. of 5)	1	N167	1002119
19	Baffle (pkg. of 3)	1	6P518	1001348
20	Nozzle Nut	1	6PT16	1032131
Optional				
21 (3)	Nozzle, "K" (acetylene, standard; includes items 23&24)	—	6P7C-K	1001361
22 (3)	Nozzle, "M" (acetylene, high spray rate; includes items 23&24)	—	6P7C-M	1001362
23 (3)	O-Ring, Viton 0.239 x 0.07 in. (pkg. of 2)	1	3K217	1031639
24 (3)	O-Ring, Viton 0.739 x 0.07 in.	1	2-018V	1018375
25 (1)	Tube Assembly, 305 mm (1'), 45° (includes items 15-19)	—	6PT61-1	1001377
26 (2)	Tube Assembly, 610 mm (2'), 45° (includes items 15-19)	—	6PT61-2	1066281
27 (1)	Tube Assembly, 305 mm (1'), 0° (includes items 15-19)	—	6PT62-1	1039263
28 (2)	Tube Assembly, 610 mm (2'), 0° (includes items 15-19)	—	6PT62-2	1039264

1. 6PT-II-1

2. 6PT-II-2

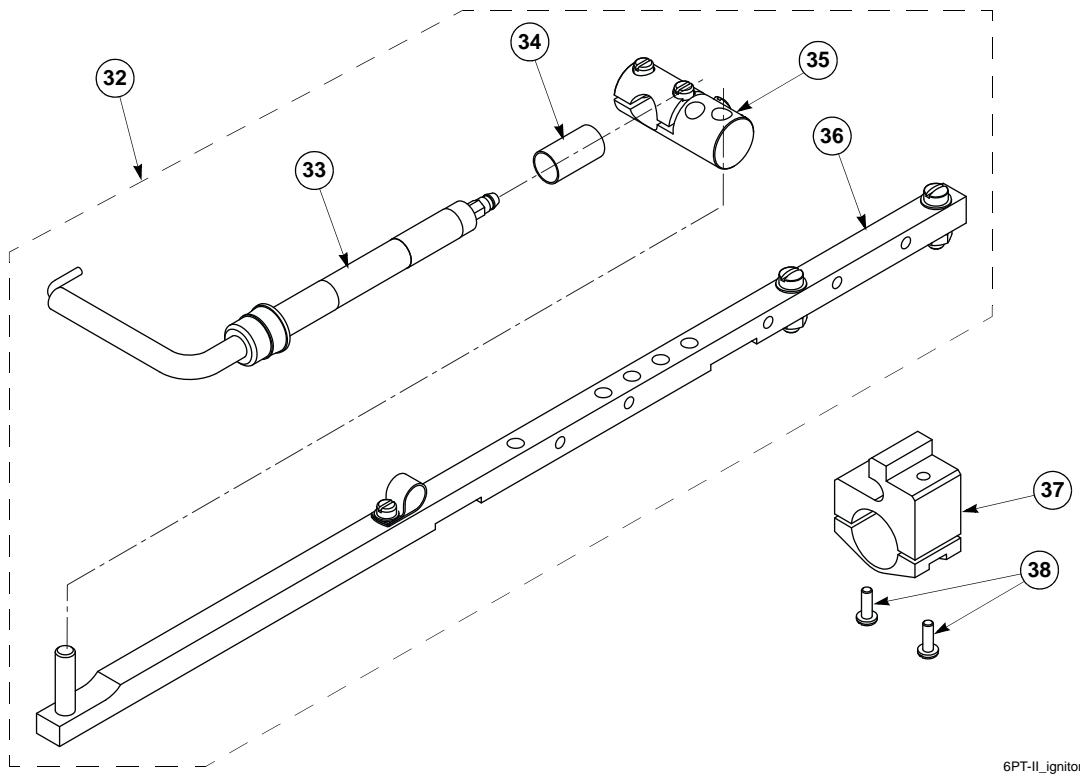
3. Not supplied with 6PT-II ThermoSpray™ Gun Extension. Use existing hardware.

3 Additional Equipment

3.1 Spares and Tools

Item No.	Description	Qty.	Catalog No.	Order No.
29	Reseal Kit (contains the following:)	1	6PT525	1032133
2	O-Ring, Buna-N, 0.301 X 0.070 in.	2	L186	1002023
4	O-Ring, Black Viton, 0.862 x 0.103 in.	6	6P81	1001365
15	O-Ring, Black Viton, 0.176 x 0.07 in.	2	5P515	1001172
16	O-Ring, Black Viton, 0.551 x 0.07 in.	2	11E108	1000138
17	O-Ring, Buna-N, 0.739 x 0.07 in.	2	5PT21	1001202
30	Powderlube (optional)	—	P119	1002137
31	Retaining Ring Pliers (optional)	—	3M654	1004993

3.2 Options and Accessories



Item No.	Description	Qty.	Catalog No.	Order No.
32	Ignitor & Mounting Bracket (includes items 33-36)	—	6C1200	1016478
33 ⁽¹⁾	Ignitor Assembly	1	DJC1004	1001863
34 ⁽¹⁾	Ignitor Sleeve Tubing	1	DJC1011	1001866
35 ⁽¹⁾	Ignitor Holder	1	DJC1002	1022168
36	Ignitor Extension Mounting Bracket	1	6C50077	1099898
37	Ignitor Clamp (includes item 38)	—	6C1250	1032105
38	Screw, 8-32 X 1/2	2	—	—
39	Air Blast Cooler (Not shown. Refer to AI 77679.)	—	3AJ	1021010

1. Also supplied with 6C Control Unit.

PL 41657 EN 05 Released on: 10.01.2017