

Diamond Jet™ DJ Spray Gun

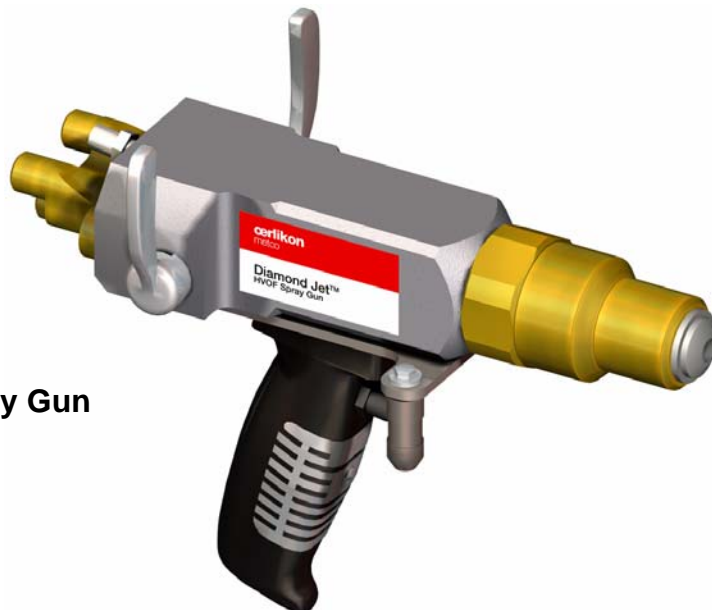
HVOF Spraying

Parts List

PL 40832 EN 13



DJM Machine-mounted Spray Gun





DJH Handheld Spray Gun

Oerlikon Metco (US) Inc.

1101 Prospect Avenue

Westbury NY 11590

 +1 516 334 1300

 +1 516 338 2414

www.oerlikon.com/metco

Spare Parts Categories

C = Consumable Parts

Parts subjected to major wear during normal operation. These parts require replacement on a regular basis.

Recommended in order to avoid downtimes.

W = Wear Parts

Parts used for maintenance service. These parts are likely and expected to wear out during the life of the product.

Wear parts are not subject to warranty.

K = Critical Parts

Parts recommended in order to guarantee maximum availability of component. This prevents downtime caused by delay in procurement.



Warranty Disclaimer

Installing non-Oerlikon Metco spare parts on Oerlikon Metco equipment voids the product warranty.

1 Overview of all Diamond Jet™ DJ Spray Guns

1.1 Handheld Guns



Gun Designation	Gun Body	Handle	Front Section	Fuel Gas(es)
2600DJH (1038579)	DJ8H (1020484) See page 5.	DJ125 (1001800) See page 12.	DJ8W (1001811) See page 14.	Hydrogen (H ₂)
2700DJH (1038580)	DJ9H (1015365) See page 5.	DJ125 (1001800) See page 12.	DJ9W (1001824) See page 17.	Propane (C ₃ H ₈) Ethylene (C ₂ H ₄)
8ADJH (1039353)	DJ8H (1020484) See page 5.	DJ125 (1001800) See page 12.	DJ8A (1034989) See page 13.	Hydrogen (H ₂)
9ADJH (1039355)	DJ9H (1015365) See page 5.	DJ125 (1001800) See page 12.	DJ9A (1020417) See page 16.	Propylene (C ₃ H ₆) Propane (C ₃ H ₈)
1050DJH (1039359)	DJ8H (1020484) See page 5.	DJ125 (1001800) See page 12.	DJ1050 (1019899) See page 18.	Propane (C ₃ H ₈)
2600DJHE (1038581)	DJ8H (1020484) See page 5.	MPHE (1015372) See page 12.	DJ8W (1001811) See page 14.	Hydrogen (H ₂)
2700DJHE (1038582)	DJ9H (1015365) See page 5.	MPHE (1015372) See page 12.	DJ9W (1001824) See page 17.	Propylene (C ₃ H ₆) Ethylene (C ₂ H ₄)
8ADJHE (1039357)	DJ8H (1020484) See page 5.	MPHE (1015372) See page 12.	DJ8A (1034989) See page 13.	Hydrogen (H ₂)
9ADJHE (1039358)	DJ9H (1015365) See page 5.	MPHE (1015372) See page 12.	DJ9A (1020417) See page 16.	Propylene (C ₃ H ₆) Propane (C ₃ H ₈)
1050DJHE (1039360)	DJ8H (1020484) See page 5.	MPHE (1015372) See page 12.	DJ1050 (1019899) See page 18.	Propane (C ₃ H ₈)
2700DJH-NG ⁽¹⁾ (1060868)	DJH2 (1060404)	DJ125 (1001800) See page 12.	DJ9W (1001824) See page 17.	Natural Gas (CH ₄)
2700DJHE-NG ⁽¹⁾ (1060869)	DJH2 (1060404)	MPHE (1015372) See page 12.	DJ9W (1001824) See page 17.	Natural Gas (CH ₄)

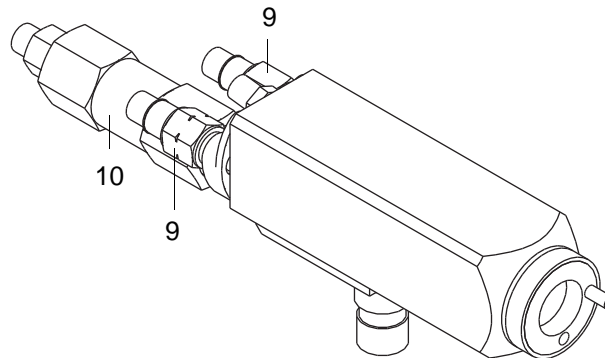
1. Includes hydrogen valve on top of spray gun body (for manual hydrogen ignition) and blue valve core for natural gas. Refer to supplementary product manual, MAN 94786.

1.2 Machine-Mounted Guns

Gun Designation	Gun Body	Front Section	Fuel Gas(es)
2600DJM (1038583)	DJM (1006353) See page 5.	DJ8W (1001811) See page 14.	Hydrogen (H ₂)
2700DJM (1038615)		DJ9W (1001824) See page 17.	Propane (C ₃ H ₈) Natural Gas (CH ₄) Ethylene (C ₂ H ₄)
3600DJM (1038616)		DJ8WL (1022307) See page 15.	Hydrogen (H ₂)
8ADJM (1039349)		DJ8A (1034989) See page 6.	Hydrogen (H ₂)
9ADJM (1039351)		DJ9A (1020417) See page 7.	Propylene (C ₃ H ₆) Propane (C ₃ H ₈)
1050DJM (1039352)		DJ1050 (1019899) See page 8.	Propane (C ₃ H ₈)

2 List of Recommended Spare Parts for DJ

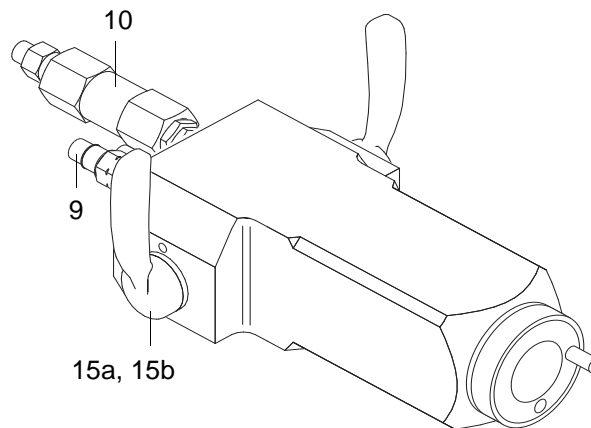
2.1 DJM Spray Gun Body (Machine-Mounted)



djm-body

Pos.	Description	Qty.	Cat.	Old Art. No.	Art. No.
9	Check valve set (oxygen and fuel gas)	1	W	DJ80	1001855
10	Air check valve	1	W	DJ56304	1034066

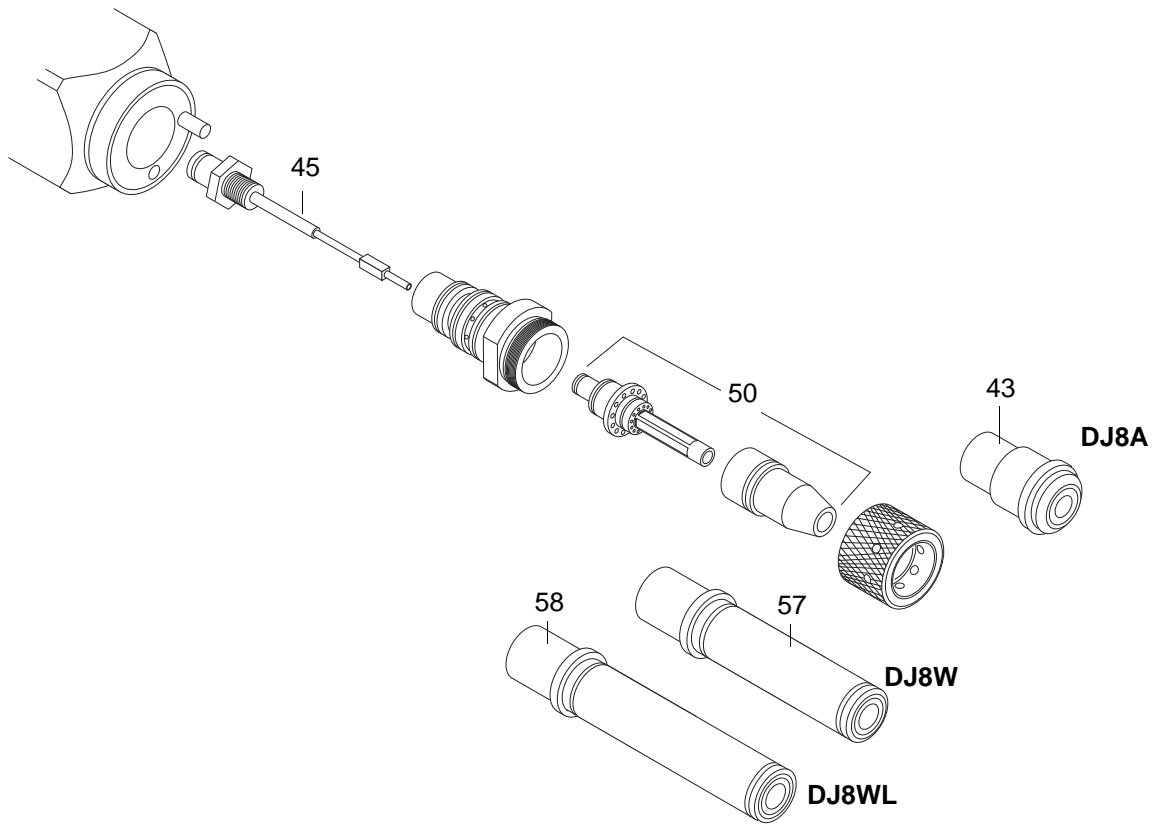
2.2 DJ8H / DJ9H Spray Gun Body (Handheld)



dj-handbody

Pos.	Description	Qty.	Cat.	Old Art. No.	Art. No.
9	Check valve set (oxygen and fuel gas)	1	W	DJ80	1001855
10	Air check valve	1	W	DJ56304	1034066
15a	Black valve core assembly for DJ8H spray gun body	1	W	DJ102	1001799
15b	Gold valve core assembly for DJ9H spray gun body	1	W	DJ2752	1001830

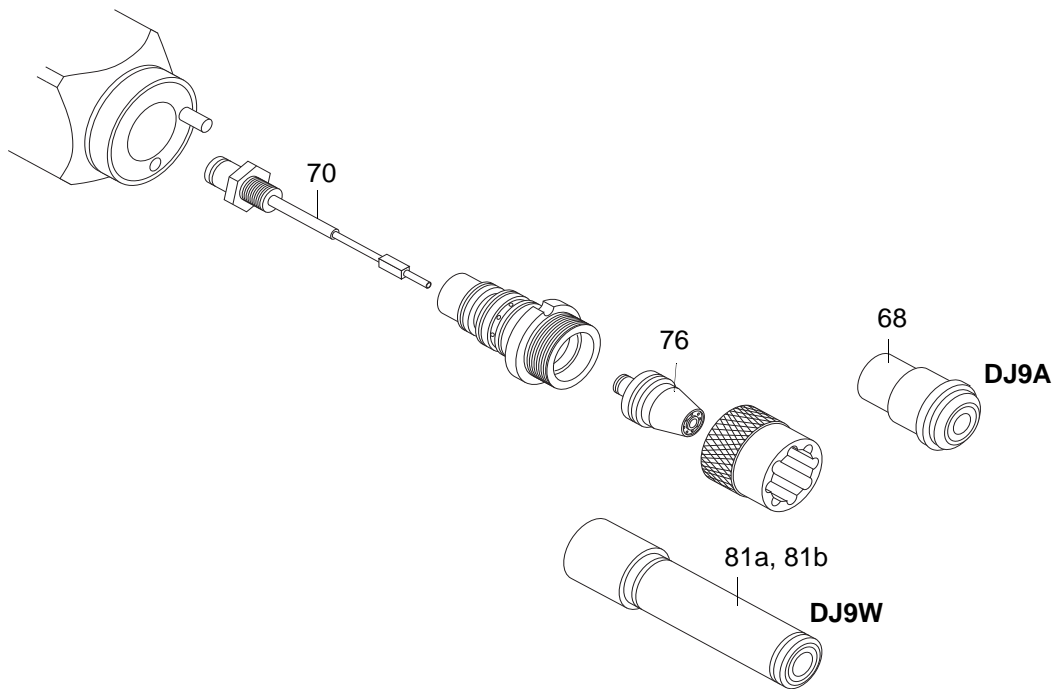
2.3 DJ8A and DJ8W / DJ8WL Front Spray Gun Sections



dj8a-w

Pos.	Description	Qty.	Cat.	Old Art. No.	Art. No.
43	#8 air cap (DJ8A)	2	C	DJ3-8	1001836
57	Extended air cap (DJ8W)	2	C	DJ2603	1001812
58	Extended air cap (DJ8WL)	2	C	DJ3603	1001835
45	#8 Powder injector	2	C	DJ8-8	1001859
50	#8 Nozzle assembly (incl. #8 insert and #8 shell)	2	C	DJ7-8	1001853

2.4 DJ9A and DJ9W Front Spray Gun Sections

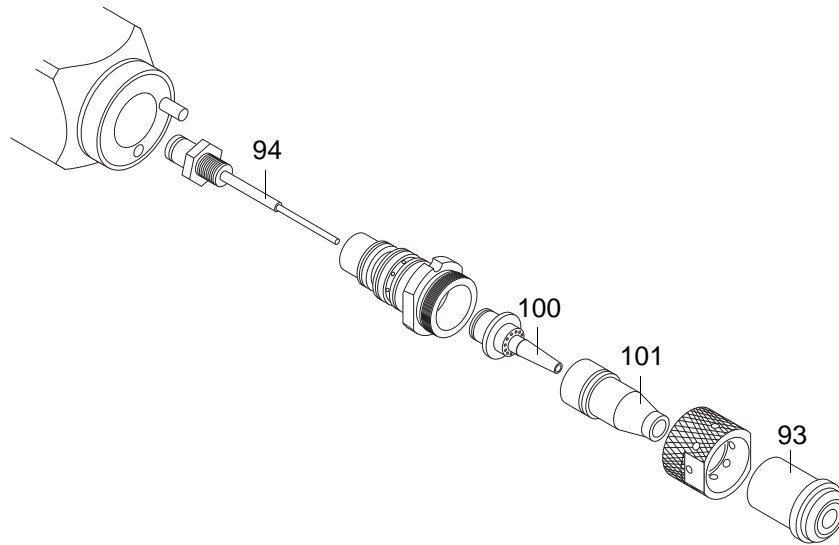


dj9a-w

Pos.	Description	Qty.	Cat.	Old Art. No.	Art. No.
81a	Extended air cap 9/32" (for carbides) <i>includes pos.82-83</i>	2	C	DJ2701	1001825
81b	Extended air cap 1/4", plated (for metals) <i>includes pos.82-83</i>	2	C	DJ2702	1001826
76	#9 Nozzle assembly	2	C	DJ7-9	1001854
70	#9 Powder injector	2	C	DJ8-9	1001860
68	#9 Air cap (DJ9A)	2	C	DJ3-9	1001837

PL 40832 EN 13 Released on: 05/23/2018

2.5 DJ1050 Front Spray Gun Section



dj1050

Pos.	Description	Qty.	Cat.	Old Art. No.	Art. No.
93	"V4" air cap	2	C	MVG4	1002107
94	"V3A" powder Injector	2	C	MVG8-3A	1002113
100	"V3" nozzle insert	2	C	MVG18-3	1002103
101	"VA" nozzle shell	2	C	MVG17-A	1002102
--	Spare O-ring package (DJ1050)	1	C	DJ1175	1022278

2.6 Maintenance and Safety Items for DJ HVOF Spray Gun

Description	Qty.	Cat.	Old Art. No.	Art. No.
Reseal kit (for details see page 21)	1	W	DJ56838	1019778
O-ring package (for details see page 21)	1	W	DJ184	1001806
Hardware kit (for details see page 22)	1	W	DJHK	1021120
Wire cleaning kit	1	W	4E114	1000817
Spark lighter (handheld gun)	1	W	4E101	1000813
Replacement flints for lighter (pkg. of 12)	1	C	4E183	1000823
Safety package – includes:	1	W	DJ297	1015366
- Ear plugs	1	W	DJ292	1001833
- Hearing protectors (ear muffs)	1	W	DJ294	1035521
- Eye protectors	1	W	10E193	1000097



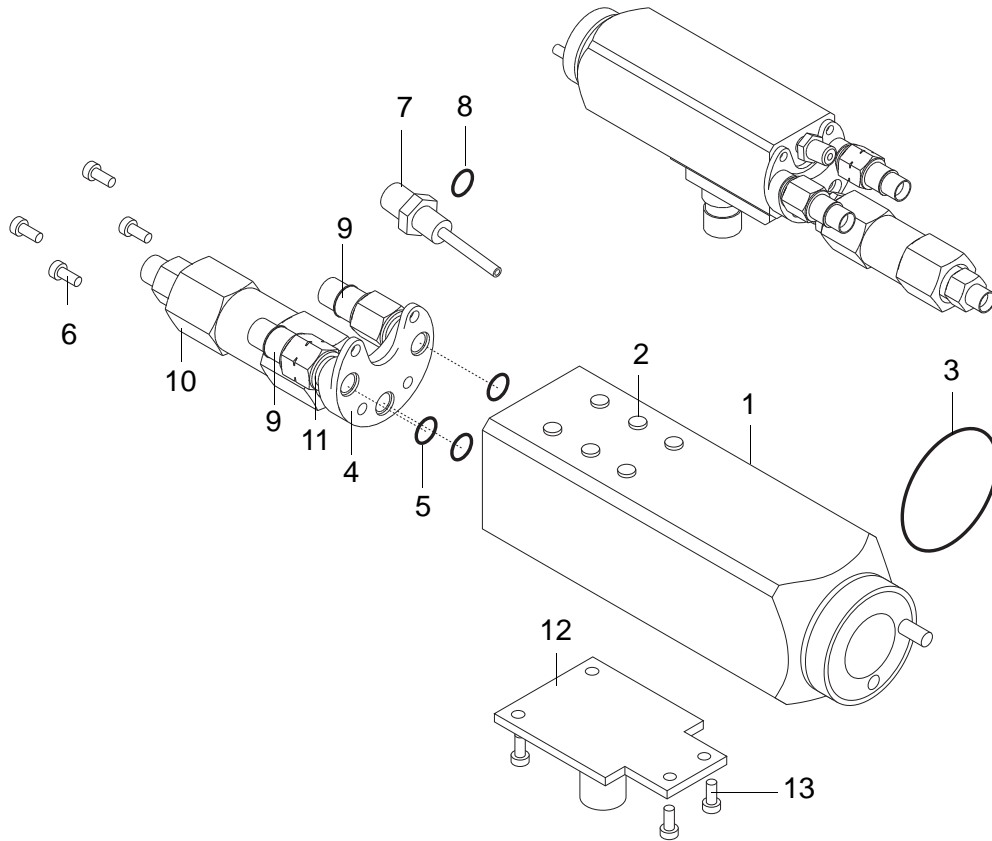
3 Parts list for DJ HVOF Spray Gun

3.1 DJM Spray Gun Body

DJM spray gun body complete

(DJM)

1006353



djm-parts

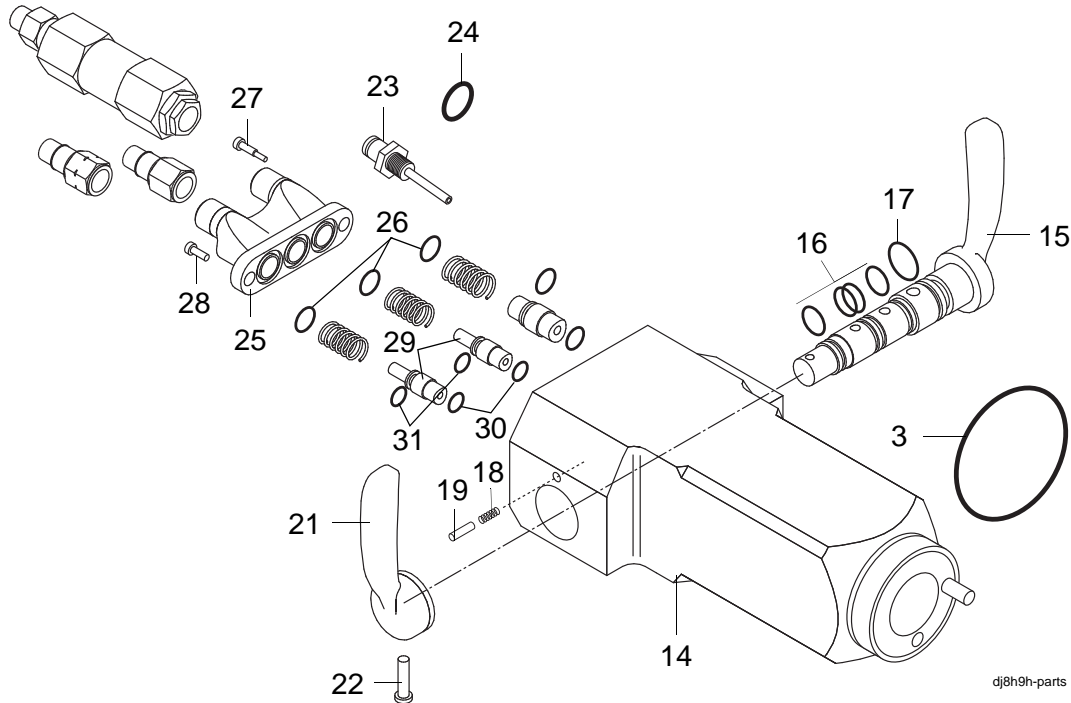
Pos.	Description	Qty.	Old Art. No.	Art. No.
1	DJM spray gun body	1	DJ58082	1039111
2	Screw, 10-24 x 5/16	6	—	(1) —
3	O-ring (front end)	1	DJ61	1001847
4	Connection block (3 hose)	1	DJ56254	1021423
5	O-ring	3	3MB191	1000737
6	Screw, 10-24 x 1/2	4	4E38	1000834
7	Powder hose fitting	1	DJ10	1001796
8	O-ring	1	11E109	1004714
9	Check valve set (one oxygen, one fuel)	2	DJ80	1001855
10	Check valve (air)	1	DJ56304	1034066
11	Reduction bushing	1	—	(1) —
12	Tool post mount	1	6P122	1001339
13	Screw, 10-24 x 3/8	4	2W17	1000560
--	Powderlube powder lubricant	1	P119	1002137
--	Krytox®	1	16E97041	1070061

1. Not supplied individually. Available in Hardware Kit (see page 22).

PL 40832 EN 13 Released on: 05/23/2018

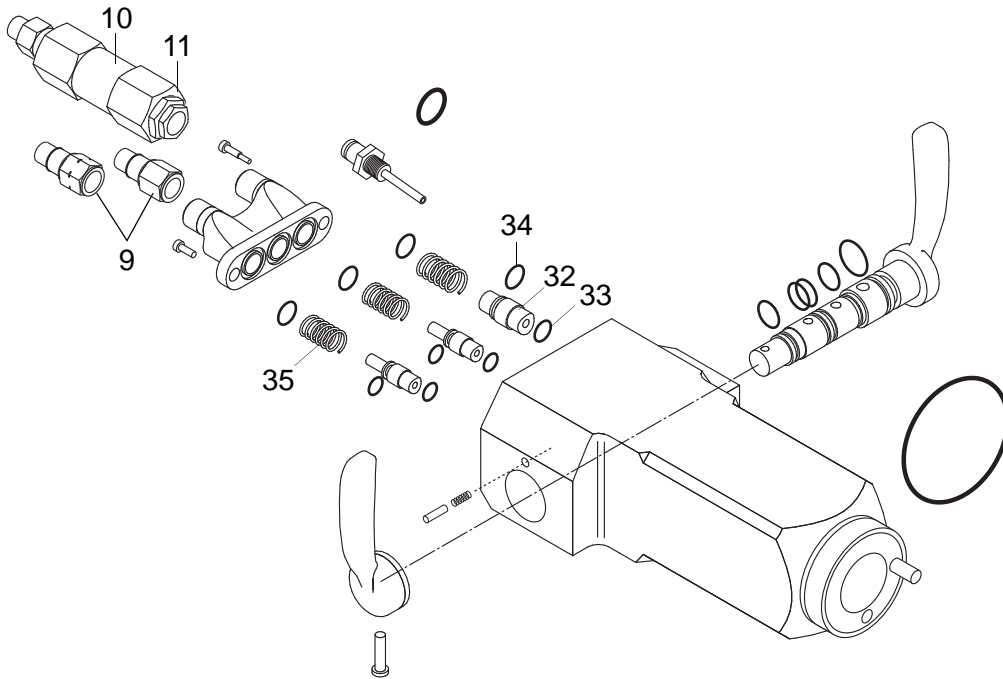
3.2 DJ8H/DJ9H Spray Gun Body

DJ8H spray gun body complete	(DJ8H)	1020484
DJ9H spray gun body complete	(DJ9H)	1015365



Pos.	Description		Qty.	Old Art. No.	Art. No.
3	O-ring (front end)	(pkg. of 2)	1	DJ61	1001847
14	Handheld spray gun body		1	DJ101	1001798
15a	Black DJ8H valve core assembly	includes pos.16-17	1	DJ102	1001799
15b	Gold DJ9H valve core assembly	includes pos.16-17	1	DJ2752	1001830
15c ⁽¹⁾	Blue DJH2 valve core assembly	includes pos.16-17	—	DJ50185	1040825
16	O-ring	(pkg. of 6)	4	CU195	1001787
17	O-ring	(pkg. of 3)	1	CU77	1001790
18	Compression spring		1	3K317	1000660
19	Detent pin		1	3K309	1000659
21	Valve core lever (right hand side)		1	12E45	1000267
22	Screw		1	11E31	1000167
23	Powder hose fitting	includes pos.24	1	DJ10	1001796
24	O-ring	(pkg. of 2)	1	11E109	1004714
25	Connection block	includes pos.26	1	DJ2647	1035541
26	O-ring	(pkg.of 6)	3	CU195	1001787
27	Screw		1	10E179	1000094
28	Screw		1	10E177	1000093
29	Plunger (oxygen and fuel gas)		2	3K303	1000654
30	O-ring plunger	(pkg. of 2)	2	3K306	1000657
31	O-ring plunger	(pkg. of 2)	2	3K217	1031639

Continued on next page



dj8h9h-parts

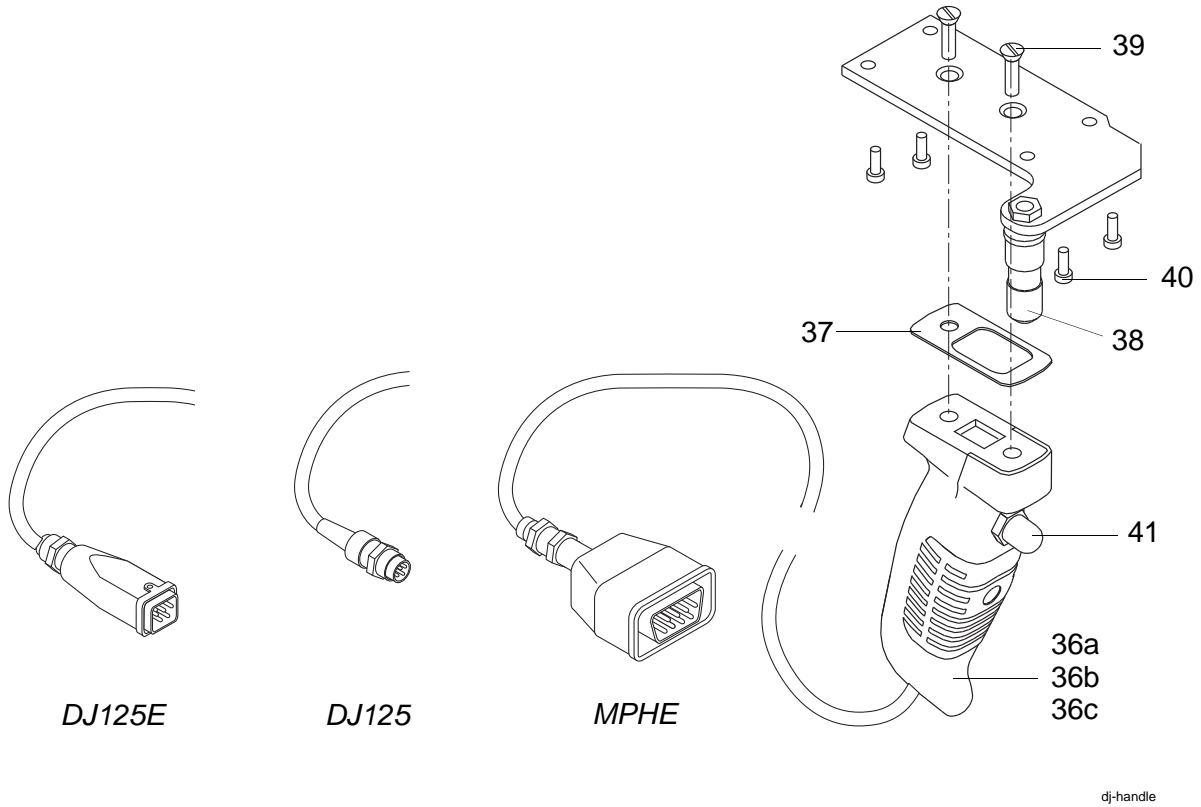
Pos.	Description	Qty.	Old Art. No.	Art. No.
32	Plunger (air)	1	10E166	1000091
33	O-ring	1	3K305	1000656
34	O-ring (pkg. of 2)	1	L186	1002023
35	Compression spring	3	3K307	1000658
9	Check valve set (one oxygen, one fuel)	1	DJ80	1001855
10 ⁽²⁾	Check valve (air) includes pos.11	1	DJ56304	1034066
11	Reduction bushing	1	—	(3)___

Items not shown:

	Powderlube powder lubricant	1	P119	1002137
	Krytox®	1	16E97041	1070061
	Lighter	1	4E101	1000813
	Replacement flints for lighter (pkg. of 12)	1	4E183	1000823
	Reseal kit (see page 21)	1	DJ56838	1019778
	O-ring package for valve core (see page 21)	1	DJ184	1001806

1. Blue valve core used only with 2700DJH-NG / 2700DJHE-NG guns for natural gas fuel with hydrogen ignition. Refer to supplementary product manual, MAN 94786.
2. Connection block (Pos. 25, see page 10) and air check valve (Pos. 10) must be installed when using water-cooled front end hardware.
3. Not supplied individually. Available in Hardware Kit (see page 22).

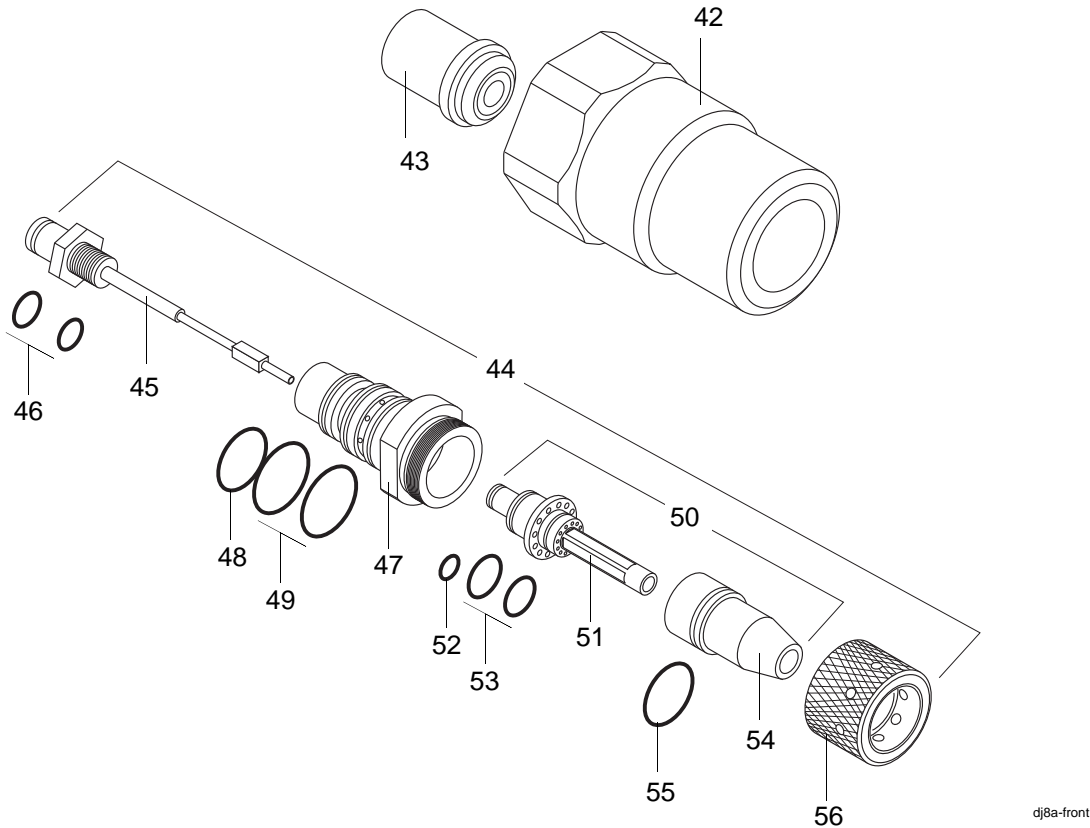
3.3 DJ125 / DJ125E / MPHE Spray Gun Handle



Pos.	Description	Qty.	Old Art. No.	Art. No.
36a	Spray gun handle (for use with 9MP-DJ)	1	DJ125	1001800
—	Adapter Cable (for use with 36a and 9MPE-DJ or 5MPE-HP)	—	5MPE58365	1049831
36b	Spray gun handle (for use with DJCE-H)	1	DJ125E	1015636
36c	Spray gun handle (for use with 9MPE-DJ or 5MPE-HP)	1	MPHE	1049830
37	Gasket	1	6P286	1032137
38	Tool post mount	1	DJ126	1006360
39	Screw	2	RG183	1006090
40	Screw	4	2W17	1000560
41	Push-button switch	1	3M341	1000695
	Switch boot	1	3M670	1000713

3.4 DJ8A Air-Cooled Front Spray Gun Section

DJ8A Air-Cooled front spray gun section	(DJ8A)	1034989
---	--------	---------



dj8a-front

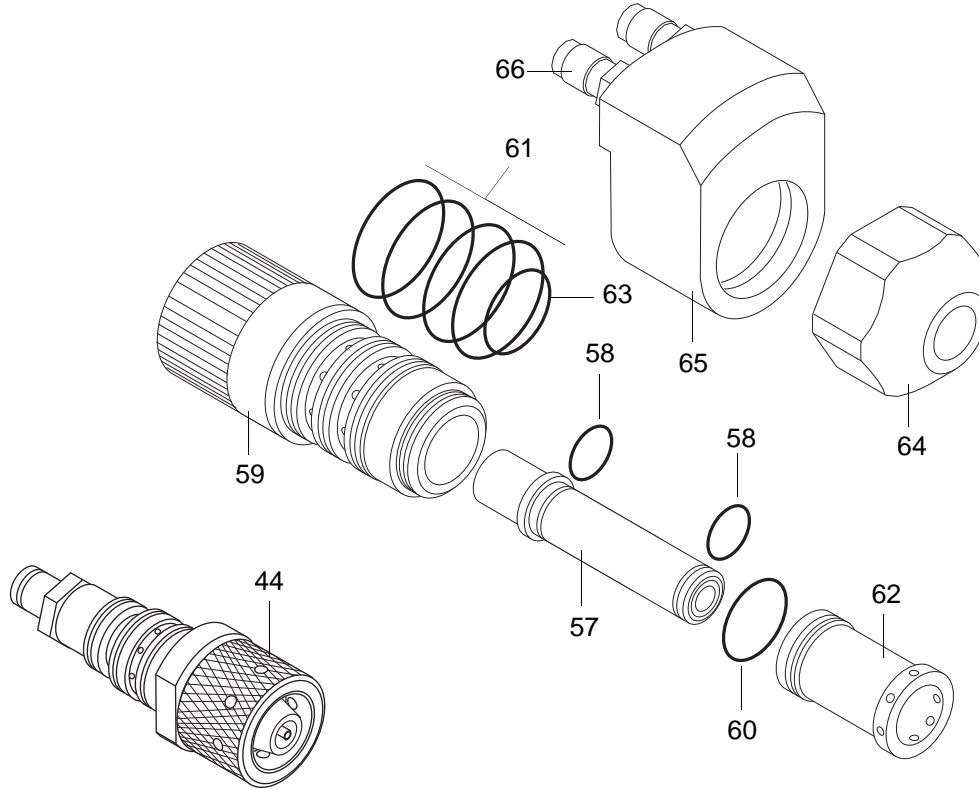
Pos.	Description		Qty.	Old Art. No.	Art. No.
42	Air cap body		1	DJ1	1001795
43	#8 air cap		1	DJ3-8	1001836
44	DJ2650 hydrogen hardware	includes pos.45-56	1	DJ2650	1018437
45	#8 powder injector	includes pos.46	1	DJ8-8	1001859
46	O-ring	(pkg. of 2)	2	11E109	1004714
47	#8 distribution plug	includes pos.48-49	1	DJ2-8	1001831
48	O-ring	(pkg. of 2)	1	11E108	1000138
49	O-ring	(pkg. of 3)	2	CU77	1001790
50	#8 nozzle	includes pos.51-55	1	DJ7-8	1001853
51	#8 nozzle Insert		1	DJ18-8	1001808
52	O-ring	(pkg. of 2)	1	DJ63	1001849
53	O-ring	(pkg. of 2)	2	DJ62	1001848
54	#8 nozzle shell		1	DJ17-8	1001802
55	O-ring	(pkg. of 2)	1	11E108	1000138
56	Nozzle nut		1	DJ2606	1001813

3.5 DJ8W Hybrid Front Spray Gun Section

DJ8W Hybrid front spray gun section

(DJ8W)

1001811



dj_DJ2650

dj8w-front

Pos.	Description		Qty.	Old Art. No.	Art. No.
57	Extended air cap	includes pos.58	1	DJ2603	1001812
58	O-ring	(pkg. of 6)	2	7M111	1001462
59	Air cap body		1	DJ2620	1001814
60	O-ring	(pkg. of 2)	1	11MB17	1000225
61	O-ring	(pkg. of 2)	4	DJ61	1001847
62	Cooling collar (baffle)		1	DJ2624	1001818
63	O-ring	(pkg. of 2)	1	APG56	1001752
64	Locking nut		1	DJ2621	1001815
65	Water adapter	includes pos.66	1	DJ2622	1001816
66	Quick disconnect coupling		2	DJ2623	1001817
44	DJ2650 hydrogen hardware (see also page 13)		1	DJ2650	1018437

Items not shown:

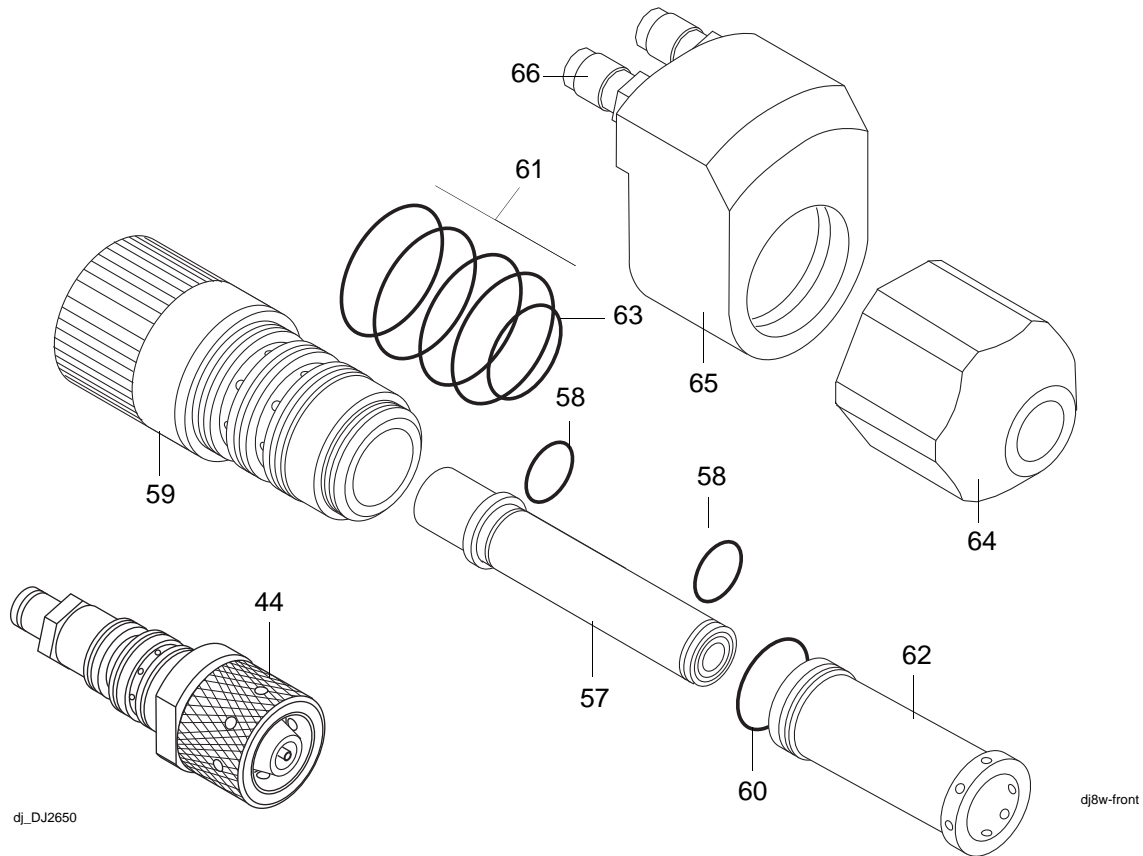
--	Hose water in 7.6 m (25') includes quick disconnect coupling 1001821		1	DJ2625	1001819
--	Hose water out 7.6 m (25') includes quick disconnect coupling 1001821		1	DJ2626	1001820
--	Quick disconnect coupling		2	DJ2630	1001821

3.6 DJ8WL Hybrid Front Spray Gun Section

DJ8WL Hybrid front spray gun section

(DJ8WL)

1022307



Pos.	Description		Qty.	Old Art. No.	Art. No.
57	Extended air cap	includes pos.58	1	DJ3603	1001835
58	O-ring	(pkg. of 6)	2	7M111	1001462
59	Air cap body		1	DJ2620	1001814
60	O-ring	(pkg. of 2)	1	11MB17	1000225
61	O-ring	(pkg. of 2)	4	DJ61	1001847
62	Cooling collar (baffle)		1	DJ3624	1022297
63	O-ring	(pkg. of 2)	1	APG56	1001752
64	Locking nut		1	DJ3621	1022296
65	Water adapter	includes pos.66	1	DJ2622	1001816
66	Quick disconnect coupling		2	DJ2623	1001817
44	DJ2650 hydrogen hardware (see also page 13)		1	DJ2650	1018437

Items not shown:

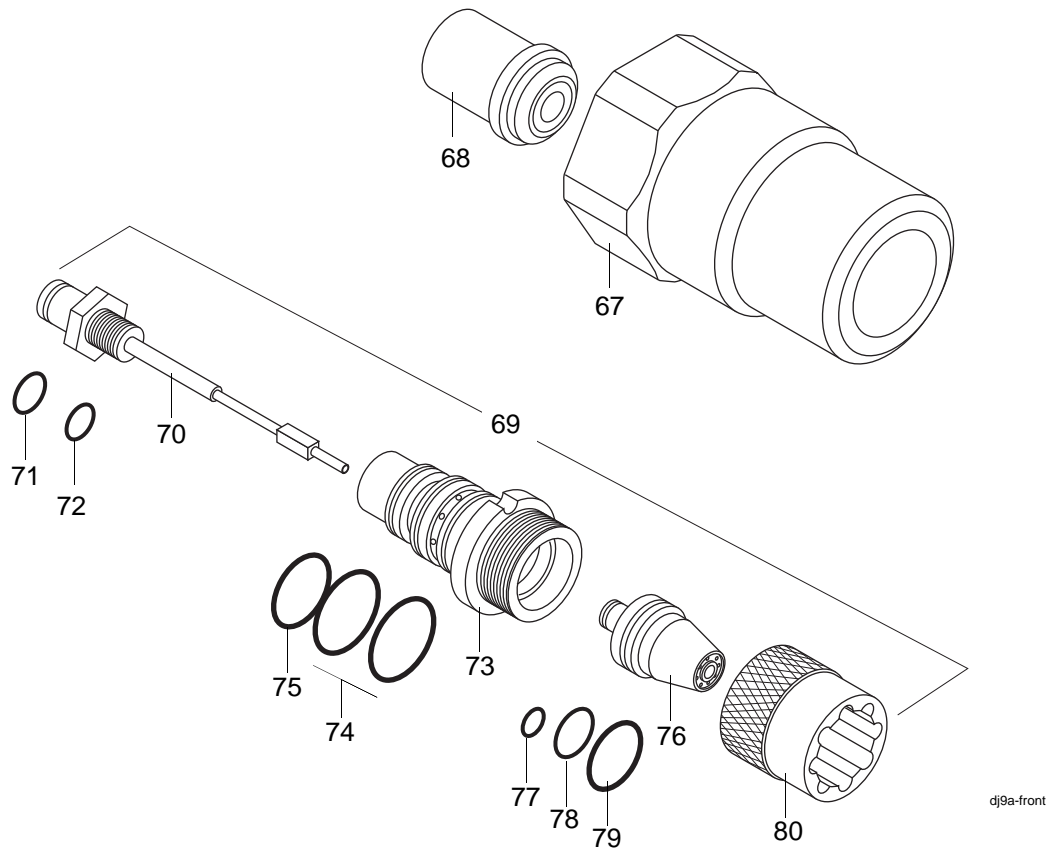
--	Hose water in 7.6 m (25') includes quick disconnect coupling 1001821		1	DJ2625	1001819
--	Hose water out 7.6 m (25') includes quick disconnect coupling 1001821		1	DJ2626	1001820
--	Quick disconnect coupling		2	DJ2630	1001821

3.7 DJ9A Air-Cooled Front Spray Gun Section

DJ9A air-cooled front spray gun section

(DJ9A)

1020417

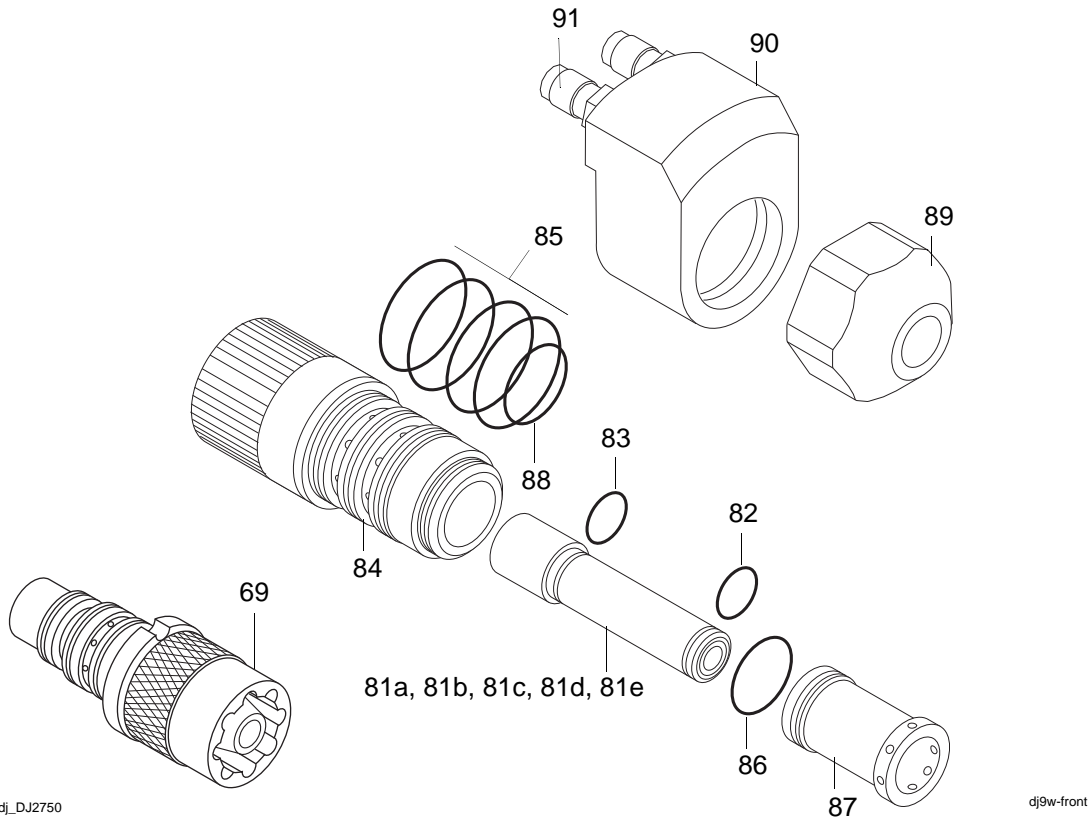


Pos.	Description		Qty.	Old Art.No.	Art. No.
67	Air cap body		1	MVG21	1002105
68	#9 air cap		1	DJ3-9	1001837
69	DJ2750 propylene hardware	includes pos.70-80	1	DJ2750	1001829
70	#9 powder injector	includes pos.71-72	1	DJ8-9	1001860
71	O-ring	(pkg. of 2)	1	11E109	1004714
72	O-ring	(pkg. of 4)	1	MBN18	1002073
73	#9 Distribution plug	includes pos.74-75	1	DJ2-9	1001832
74	O-ring	(pkg. of 3)	2	CU77	1001790
75	O-ring	(pkg. of 2)	1	11E108	1000138
76	#9 nozzle	includes pos.77-79	1	DJ7-9	1001854
77	O-ring	(pkg. of 2)	1	DJ63	1001849
78	O-ring	(pkg. of 2)	1	DJ134170	1093811
79	O-ring	(pkg. of 2)	1	2RG108	1000549
80	Nozzle nut		1	MVG6	1002111

3.8 DJ9W Hybrid Front Spray Gun Section

DJ9W Hybrid front spray gun section

(DJ9W) 1001824



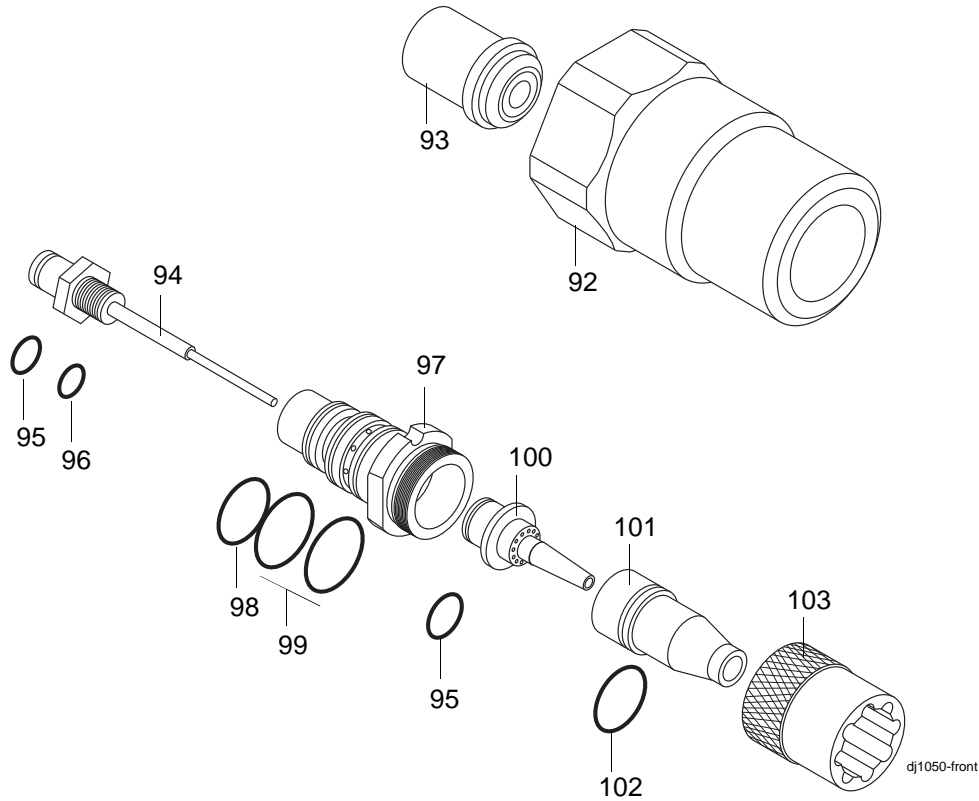
Pos.	Description	Qty.	Old Art. No.	Art. No.
81a	Extended air cap 9/32" (for carbides) * includes pos.82-83	1	DJ2701	1001825
81b	Extended air cap 1/4" (plated; for metals) * includes pos.82-83	1	DJ2702	1001826
81c	Extended air cap 9/32" (double-plated; for carbides) includes pos.82-83	—	DJ2701-DP	1064505
81d	Extended air cap 1/4" (non-plated; for metals) includes pos.82-83	—	DJ2702-NP	1071652
81e	Extended air cap 9/32" (non-plated) includes pos.82-83	—	DJ2705	1001827
82	O-ring (pkg. of 6)	1	7M111	1001462
83	O-ring (pkg. of 3)	1	CU77	1001790
84	Air cap body	1	DJ2720	1001828
85	O-ring (pkg. of 2)	4	DJ61	1001847
86	O-ring (pkg. of 2)	1	11MB17	1000225
87	Cooling collar (baffle)	1	DJ2624	1001818
88	O-ring (pkg. of 2)	1	APG56	1001752
89	Locking nut	1	DJ2621	1001815
90	Water adapter includes pos.91	1	DJ2622	1001816
91	Quick disconnect coupling	2	DJ2623	1001817
69	DJ2750 propylene hardware (see also page 16)	1	DJ2750	1001829
* included in the gun package				
Items not shown				
--	Hose water in 7.6 m (25') includes quick disconnect coupling 1001821	1	DJ2625	1001819
--	Hose water out 7.6 m (25') includes quick disconnect coupling 1001821	1	DJ2626	1001820
--	Quick disconnect coupling	2	DJ2630	1001821

3.9 DJ1050 Air-Cooled Front Spray Gun Section

DJ1050 air-cooled front spray gun section

(DJ1050)

1009899



Pos.	Description		Qty.	Old Art. No.	Art. No.
92	Air cap body		1	MVG21	1002105
93	"V4" air cap		1	MVG4	1002107
94	"V3A" powder injector	includes pos.95-96	1	MVG8-3A	1002113
95	O-ring	(pkg. of 2)	2	11E109	1004714
96	O-ring	(pkg. of 4)	1	MBN18	1002073
97	"V4" siphon plug	includes pos.98-99	1	MVG2-4	1002106
98	O-ring	(pkg. of 2)	1	11E108	1000138
99	O-ring	(pkg. of 3)	2	CU77	1001790
100	"V3" nozzle insert	includes pos.95	1	MVG18-3	1002103
101	"VA" nozzle shell	includes pos.102	1	MVG17-A	1002102
102	O-ring	(pkg. of 2)	1	2RG108	1000549
103	Nozzle nut		1	MVG7	1002112
--	Spare O-ring pkg. (DJ1050)		1	DJ1175	1022278

PL 40832 EN 13 Released on: 05/23/2018



4 Additional Equipment

4.1 Hose packages

Description	Old Art. No.	Art. No.
Standard hose packages		
US Standard hose package 7.6 m (25 ft) includes:	11H	1030600
Oxygen hose (blue)	11HEX51287	1000215
Fuel hose (red)	11HEX51301	1000216
Air hose (black)	DJ51	1001839
CE Standard hose package 7.6 m (25 ft) includes:	11HEX	1000214
Oxygen hose (blue)	11HEX51287	1000215
Fuel hose (red; qty. 2)	11HEX51301	1000216
Air hose (black)	DJ51	1001839
Water hoses for DJ8W, DJ8WL, DJ9W 7.6 m (25 ft)		
Water "IN" hose includes quick disconnect fitting	DJ2625	1001819
Water "OUT" hose includes quick disconnect fitting	DJ2626	1001820
Quick disconnect fitting	DJ2630	1001821
Cables machine-mounted spray gun to DJC		
Flame detector air hose 8 m (25 ft)	DJC1006	1005835
Ignition cable 8 m (25 ft)	DJC1601	1005841
Flame detector cable 8 m (25 ft)	DJC1602	1005842
Optional hose and cable packages		
For handheld spray gun		
US DJ600 package 15.2 m (50 ft) (DJF to DJ) includes:	DJ600	1005826
Oxygen hose (green)	DJ604	1001845
Fuel gas hose (black with red stripes)	DJ603	1001844
Air hose (black) (5/8 - 1/2)	DJ605	1001846
Powder feed hose (orange)	DJ601	1001843
Water "IN" hose includes quick disconnect fitting	DJ56904	1037405
Water "OUT" hose quick disconnect fitting	DJ56905	1037404
Cable extension for DJ125 spray gun handle 10.6 m (35 ft)	DJ602	1022300
CE DJ600E package 15.2 m (50 ft) (DJF to DJ) includes:	DJ600E	1035672
Oxygen hose (blue)	DJ56889	1040885
Fuel gas hose (red) (qty. 2)	DJ56893	1040883
Air hose (black) (5/8 - 1/2)	DJ605	1001846
Powder feed hose (orange)	DJ601	1001843
Water "IN" hose includes quick disconnect fitting	DJ56904	1037405
Water "OUT" hose includes quick disconnect fitting	DJ56905	1037404
Cable extension for DJ125E spray gun handle 7.6 m (25 ft)	DJ56903	1040886

Continued on next page

Description	Old Art. No.	Art. No.
For machine mounted spray gun		
US DJ615 package 15.2 m (50 ft) (DJC to DJ) includes:	DJ615	1022301
Oxygen hose (green)	DJ604	1001845
Fuel gas hose (black with red stripes)	DJ603	1001844
Air hose (black) (5/8 - 1/2)	DJ605	1001846
Powder feed hose (orange)	DJ601	1001843
Water "IN" hose includes quick disconnect fitting	DJ56904	1037405
Water "OUT" hose includes quick disconnect fitting	DJ56905	1037404
Ignition cable assembly	DJ56908	1019366
Flame detector extension cable 7.6 m (25 ft)	DJ56909	1040890
Flame detector air hose (9/16 - 3/8)	DJ56910	1040889
CE DJ615E package 15.2 m (50 ft) (DJCE to DJ) includes:	DJ615E	1006352
Oxygen hose (blue)	DJ56889	1040885
Fuel gas hose (red)	DJ56893	1040883
Propane hose (orange)	DJ56900	1040884
Air hose (black) (5/8 - 1/2)	DJ605	1001846
Powder feed hose (orange)	DJ601	1001843
Water "IN" hose includes quick disconnect fitting	DJ56904	1037405
Water "OUT" hose includes quick disconnect fitting	DJ56905	1037404
Ignition cable assembly	DJ56912	1040888
Flame detector extension cable 7.6 m (25 ft)	DJ56914	1040887
Flame detector air hose (9/16 - 3/8)	DJ56910	1040889
Custom length (max. length 15.2 m - 50 ft) (XX units in feet)		
US hoses		
Fuel (black with red stripes)	DJF10MTO-XX	1050386
Oxygen (green)	DJF20MTO-XX	1050385
Air (5/8 - 1/2)	DJ50MTO-XX	1050387
CE hoses		
Same as 11HEX with custom length	11HEXMTO-XX	1050310
Same as 11HEX (15.2 m - 50 ft)	11HEX-50	1038079

PL 40832 EN 13 Released on: 05/23/2018



4.2 O-Rings for Spray Gun

Pos.	Description	Qty.	Ref. No.	Old Art. No.	Art. No.
	Reseal Kit for DJM, DJ8H, DJ9H, DJ8A, DJ8W, DJ9A, DJ9W, DJ1050	1	--	DJ56838	1019778
58, 82	O-ring	4	21469	7M111	1001462
48, 55, 75, 98	O-ring	4	22754	11E108	1000138
52, 77	O-ring	2	47278	DJ63	1001849
53	O-ring	4	47277	DJ62	1001848
49, 74, 83, 99	O-ring	8	19715	CU77	1001790
46, 71, 95	O-ring	4	21764	11E109	1004714
3, 20, 61, 85	O-ring	8	42704	DJ61	1001847
60, 86	O-ring	2	32023	11MB17	1000225
63, 88	O-ring	2	37521	APG56	1001752
79, 102	O-ring	2	21763	2RG108	1000549
72, 96	O-ring	2	33613	MBN18	1002073
5	O-ring	6	43823	3MB191	1000737
78	O-ring	4	134170	DJ134170	1093811

4.3 O-Rings for Valve Cores and Connection Blocks

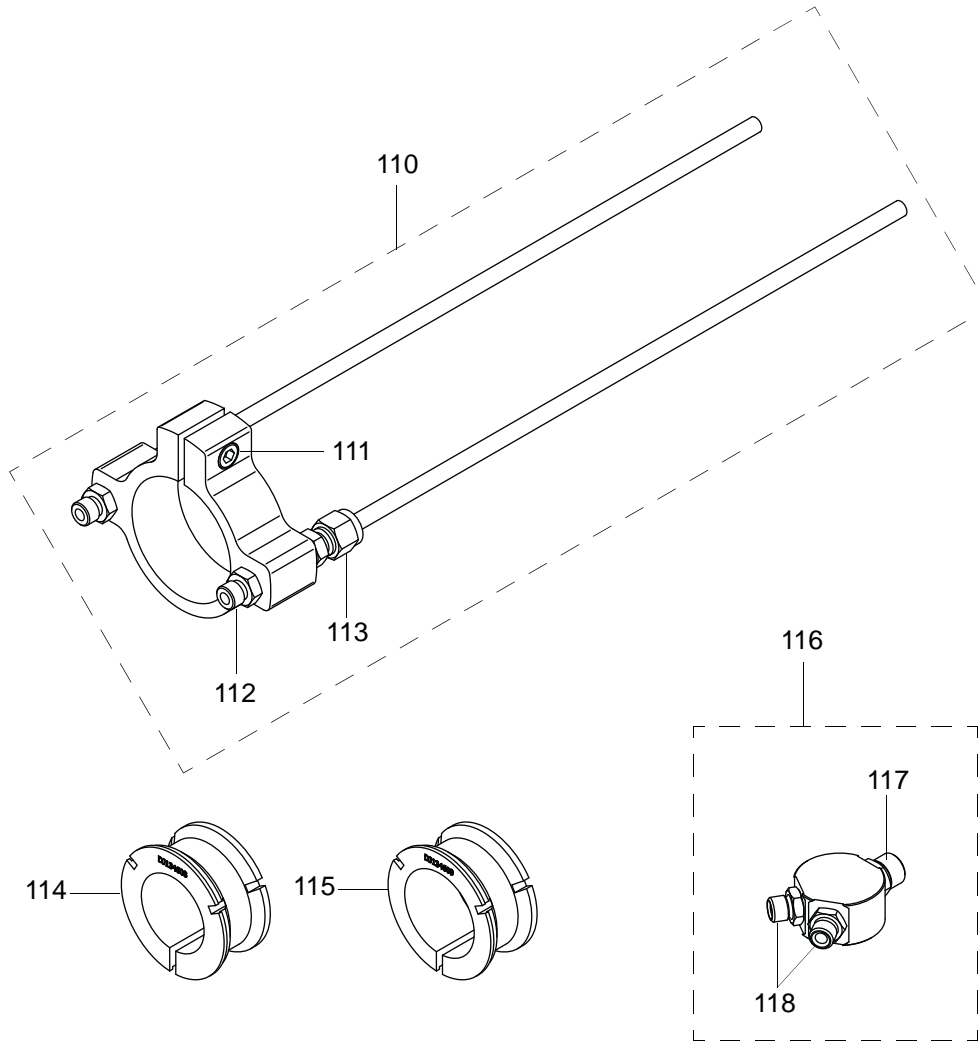
Pos.	Description	Qty.	Ref. No.	Old Art. No.	Art. No.
	O-Ring Package for front end and connection blocks on DJM, DJ8H, DJ9H, and for valve cores on DJ8H and DJ9H	1	--	DJ184	1001806
3	O-ring	2	42704	DJ61	1001847
8, 24	O-ring	2	21764	11E109	1004714
34	O-ring	1	01660	L186	1002023
31	O-ring	2	22530	3K217	1031639
17	O-ring	1	19715	CU77	1001790
16, 26	O-ring	7	19716	CU195	1001787
33	O-ring	1	11021	3K305	1000656
30	O-ring	2	11022	3K306	1000657
5	O-ring	3	43823	3MB191	1000737

4.4 Fasteners and Other Hardware

Pos.	Description	Qty.	Old Art. No.	Art. No.
	Hardware Kit	1	DJHK	1021120
13, 40	Screw for tool post mount to spray gun body	4	2W17	1000560
11	Reduction bushing for air check valve	2	—	(1) —
28	Screw for handheld spray gun connection block	2	11211	1000093
27	Screw for handheld spray gun connection block	2	11212	1000094
18	Compression spring for detent pin	3	11024	1000660
19	Detent pin for valve core positions	2	11025	1000659
35	Compression spring for valve core plungers	3	11026	1000658
22	Screw for valve core lever	2	21362	1000167
2	Screw for mounting ignitor on top of DJM spray gun body	6	—	(1) —
6	Screw for machine-mounted spray gun connection block	8	4E38	1000834
37	Gasket between spray gun handle and mounting plate	1	11509	1032137
39	Screw for tool post mount to spray gun handle	2	11734	1006090
--	Replacement flints for lighter (pkg. of 12)	1	01565	1000823

1. Not supplied individually. Available only in Hardware Kit

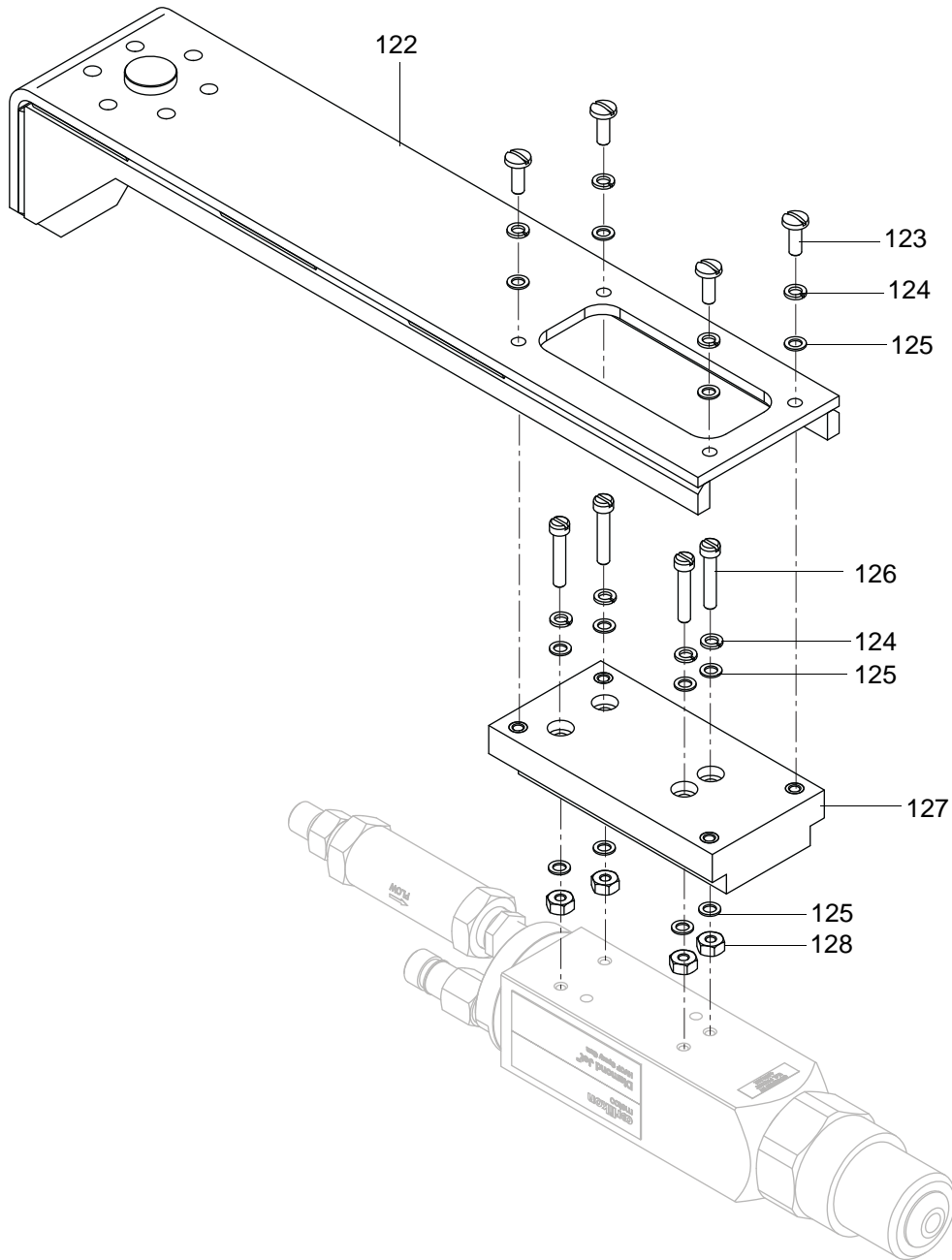
4.5 Air Jet Assembly



DJ_air_jet

Pos.	Description	Qty.	Old Art. No.	Art. No.
110	DJ Hybrid Air Jet Assembly (optional)	—	DJ56982	1049649
111	Screw, M6 X 20	(pkg. 2)	11MB36	1030621
112	Hose Fitting	2	M46	1028711
113	Tube Fitting, 1/4" Tube X 1/8 NPTM	2	6MP224	1001328
114	Spacer (Adapter for DJ1 Air Cap Body)	—	DJ134608	1093941
115	Spacer (Adapter for MVG21 Air Cap Body)	—	DJ134609	1093942
116	Wye Assembly	1	2PSA35	1000541
117	Hex Nipple	1	4E20	1000824
118	Hex Nipple	2	2E22	1000464
119	Air Supply Hose Assembly, 5.8 m (19') (not shown)	1	7M150	1001473
120	Air Nozzle Hose Assy, 38 cm (15") (not shown)	2	2PSA40	1000543

4.6 Robot Mounting Bracket

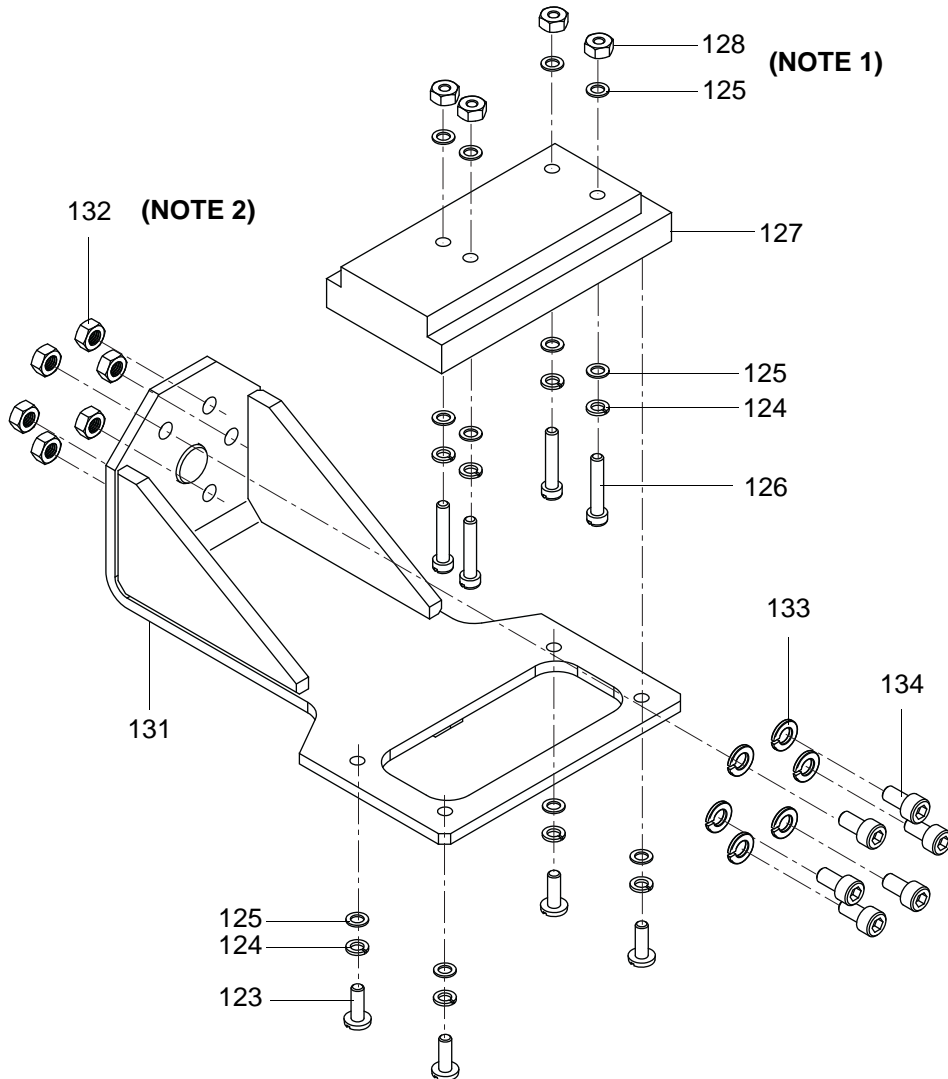


DJ_2AR95

Pos.	Description	Qty.	Old Art. No.	Art. No.
121	Robot Gun Mount (includes items 122-128)	—	2AR95	1031545
122	Gun Bracket	1	—	—
123	Screw, 10-32 X 9/16	4	—	—
124	Lock Washer (pkg. 4)	8	2RG218	1000554
125	Washer (pkg. 4)	12	2RG217	1000553
126	Screw, 10-24 X 1 (pkg. 5)	4	2M192	1000516
127	Insulator Plate	1	DJ44828	1038479
128 ⁽¹⁾	Nut	4	P179	1036106

1. Nuts (128) and four washers (125) are not used. Discard after installation.

4.7 90° Robot Mounting Bracket



DJ_2AR95

Pos.	Description	Qty.	Old Art. No.	Art. No.
130	Robot Gun Mount (includes items 123-134)	—	2AR96	1031546
123	Screw, 10-32 X 9/16	4	—	—
124	Lock Washer (pkg. 4)	8	2RG218	1000554
125	Washer (pkg. 4)	8	2RG217	1000553
126	Screw, 10-24 X 1 (pkg. 5)	4	2M192	1000516
127	Insulator Plate	1	DJ44828	1038479
128 ⁽¹⁾	Nut	4	P179	1036106
131	Gun Bracket, 90°	1	—	—
132 ⁽²⁾	Nut (pkg. 5)	6	11E75	1000197
133	Lock Washer	6	3MBTD19357	1038223
134	Screw, M6 x 12	6	3MBTD34601	1038221

1. Nuts (128) and four washers (125) are not used. Discard after mounting gun on insulator plate.
2. Nuts (132) are not used. Discard after installing mounting bracket on robot adapter.

