

9MBM Plasma Gun

Plasma Spraying

Parts List


PL 40350 EN 14




Oerlikon Metco (US) Inc.

1101 Prospect Avenue

Westbury NY 11590

 +1 516 334 1300

 +1 516 338 2414

www.oerlikon.com/metco

Spare Parts Categories

C = Consumable Parts

Parts subjected to major wear during normal operation. These parts require replacement on a regular basis.

Recommended in order to avoid downtimes.

W = Wear Parts

Parts used for maintenance service. These parts are likely and expected to wear out during the life of the product.

Wear parts are not subject to warranty.

K = Critical Parts

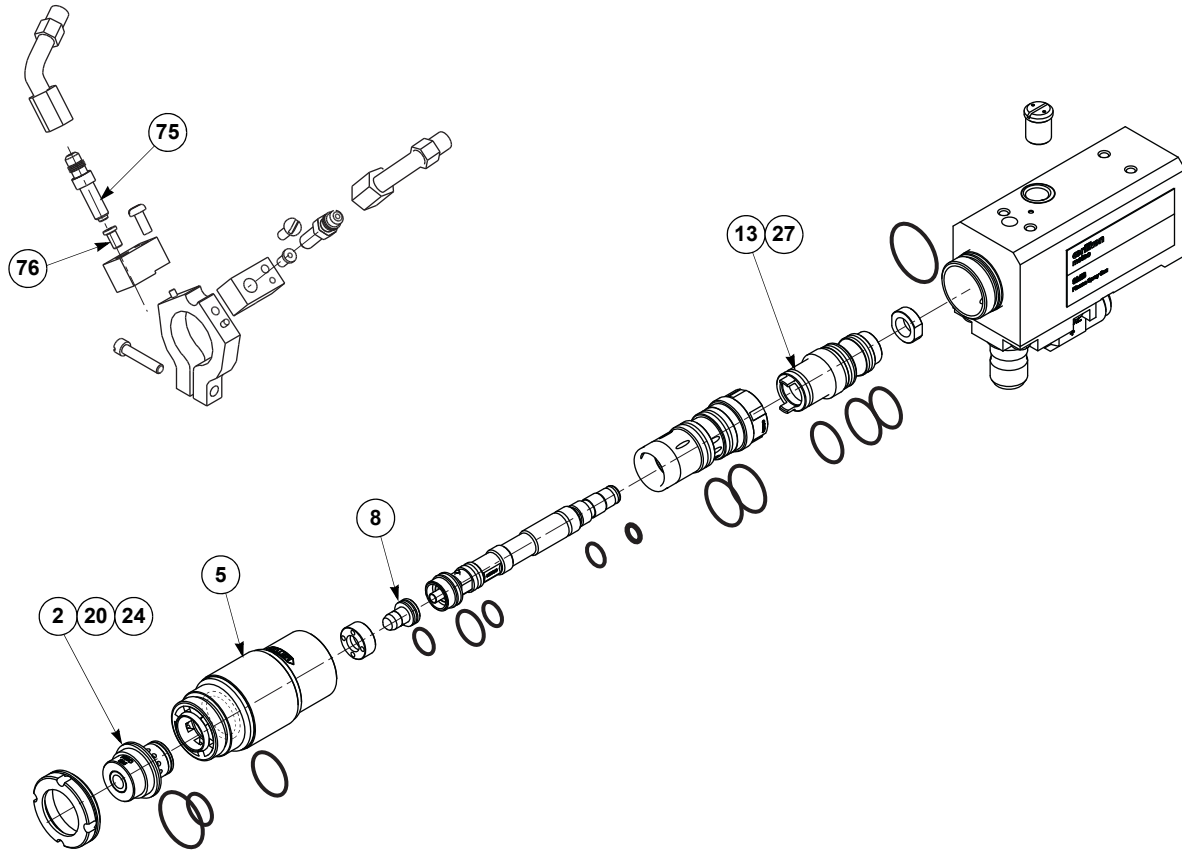
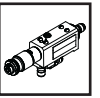
Parts recommended in order to guarantee maximum availability of component. This prevents downtime caused by delay in procurement.



Warranty Disclaimer

Installing non-Oerlikon Metco spare parts on Oerlikon Metco equipment voids the product warranty.

1 List of Recommended Spare Parts for 9MBM Plasma Gun



9MBM_spare

Item No.	Description	Qty.	Cat.	Catalog No.	Order No.
2	Nozzle Assembly, GP	2	C	3M7-GP	1000724
5	Water Channeling Head	1	C	9MB15	1001619
8	Electrode Assembly	2	C	9M119198	1084120
13	Front Insulator, Argon	1	W	9MB50	1001630
20	Nozzle Assembly	2	C	9MB730A	1001648
24	Nozzle Assembly	2	C	9MB732A	1001654
27	Front Insulator, Nitrogen	1	W	9MB55	1001631
75	Powder Stem	2	W	3M202	1000679
76	No. 2 Powder Port	2	C	3M210	1000681
118	Ringlube	1	C	2M182	1000508
119	Reseal Kit	1	W	9MB54127	1016455
122	Hardware Kit	1	K	9MB54212	1016615

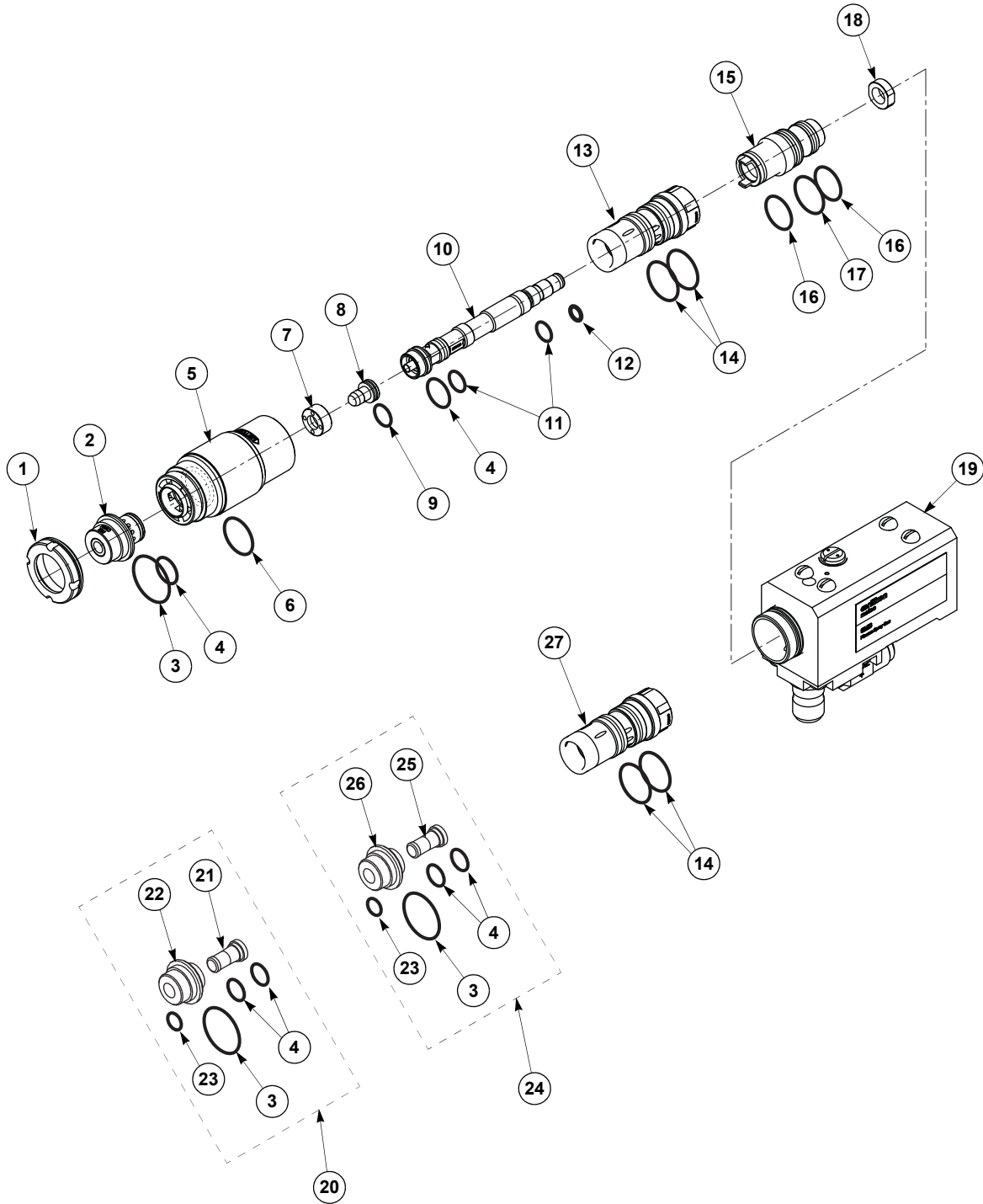
2 Parts List for 9MBM Plasma Gun

9MBM Plasma Gun

9MBM

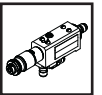
1001678

2.1 Complete Gun Assembly



9MBM_complete

PL 40350 EN 14 Released on: 01/24/2019

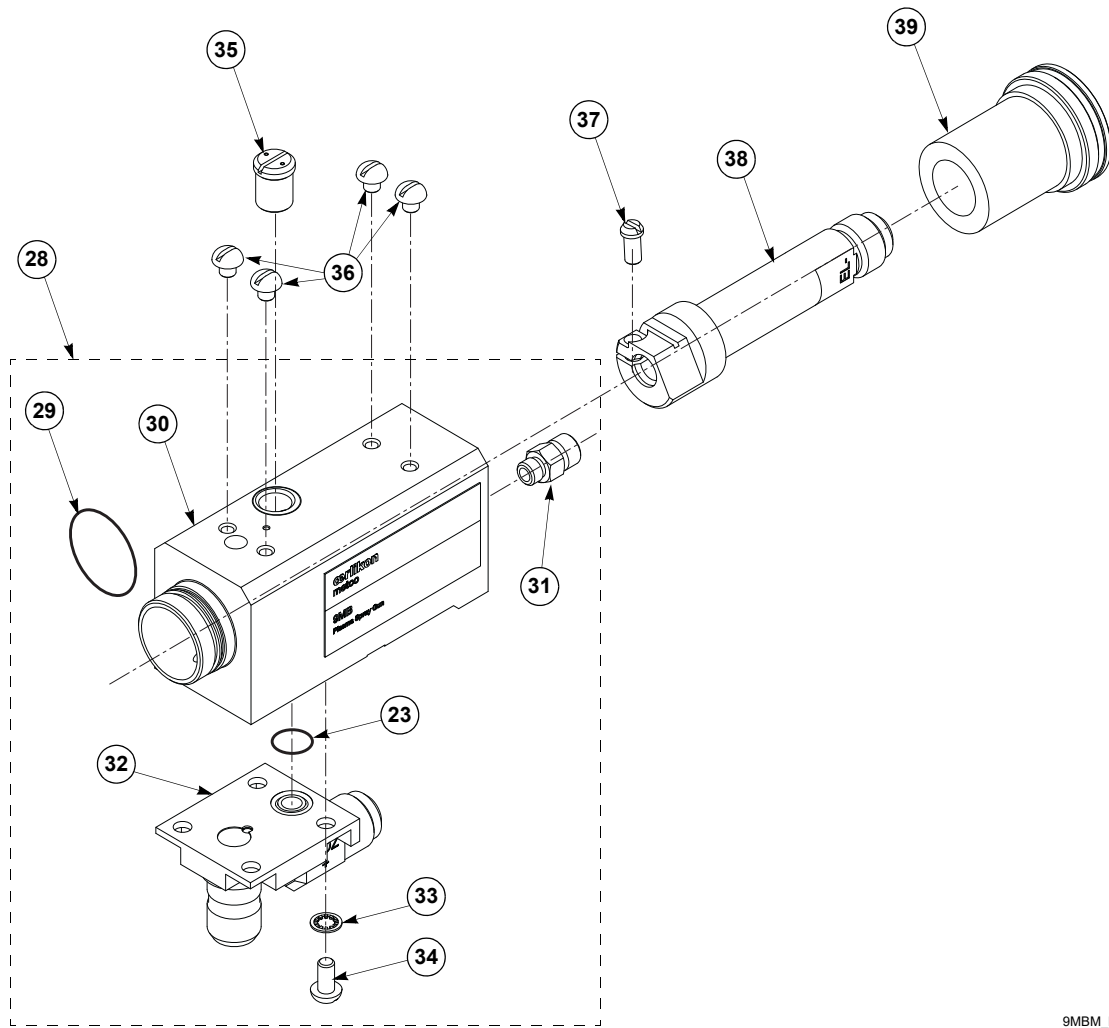


Item No.	Description	Qty.	Catalog No.	Order No.
1	Nozzle Nut	1	9MB8	1001660
2	Nozzle Assembly, GP (See also, page 7.)(includes items 3 & 4)	1	3M7-GP	1000724
3	O-Ring, Black Viton, 1.114x0.07 in. (pkg. of 6)	1	7M57	1001495
4	O-Ring, Black Viton, 0.614x0.07 in. (pkg. of 6)	2	7M111	1001462
5	Water Channeling Head (includes item 6)	1	9MB15	1001619
6	O-Ring, Black Viton, 0.850x0.045 in.	1	9MB297	1001625
7	Electrode Lock Nut	1	7M14	1001469
8	Electrode (See also, page 11.) (includes item 9)	1	9M119198	1084120
9	O-Ring, Black Viton, 0.426x0.07 in. (pkg. of 2)	1	7M51	1001493
10	Electrode Holder	1	9MB18	1001622
11	O-Ring, Buna, 0.426x0.07 in. (pkg. of 6)	2	2M199	1000521
12	O-Ring, Buna, 0.239x0.07 in. (pkg. of 2)	1	4EFC56	1000861
13	Front Insulator, Argon (See also, page 11.)	1	9MB50	1001630
14	O-Ring, Buna, 0.926x0.07 in. (pkg. of 3)	2	9MB296	1001624
15	Rear Insulator	1	9MB166	1001621
16	O-Ring, Buna, 0.739x0.07 in. (pkg. of 3)	2	5PT21	1001202
17	O-Ring, Buna, 0.864x0.07 in. (pkg. of 3)	1	10E46	1000100
18	Electrode Holder Nut	1	7M17	1001475
19	Base Assembly (See page 6.)	1	9MB165	1001620

Alternative Parts (Supplied with spray gun.)

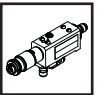
20	Nozzle Assembly (includes items 3, 4 & 21-23)	1	9MB730A	1001648
21	Nozzle Body, 11/16-24	1	9MB730B	1001649
22	Nozzle Shell	1	9MB730C	1001650
23	O-Ring, Black Viton, 0.489x0.07 in.	1	2-014V	1000359
24	Nozzle Assembly (includes items 3, 4, 23, 25 & 26)	1	9MB732A	1001654
25	Nozzle Body, 11/16-24	1	9MB732B	1001655
26	Nozzle Shell	1	732C	1025077
27	Front Insulator, Nitrogen (includes item 14)	1	9MB55	1001631

2.2 Base Assembly



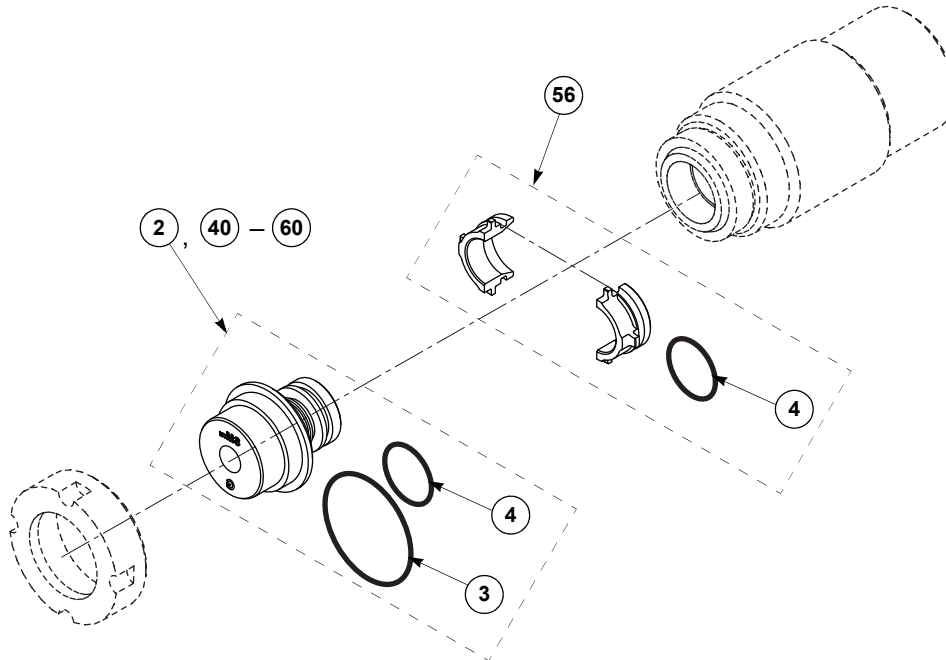
Item No.	Description	Qty.	Catalog No.	Order No.
19	Base Assembly (includes items 23 & 28-39)	1	9MB165	1001620
23	O-Ring, Black Viton, 0.489x0.07 in.	2	2-014V	1000359
28	Base Sub-assembly (includes items 23 & 29-34)	1	9MB37	1001627
29	O-Ring, Buna 1.239 x 0.07 in. (pkg. of 2)	1	2AF29	1000457
30	Gun Body	1	—	—
31	Hose Nipple	1	9MB208	1001623
32	Mounting Stud & Hose Fitting Assembly	1	9MB335	1001626
33	Lock Washer (pkg. of 6)	4	PH21	1002189
34	Screw, 1/4-20 x 1/2 (pkg. of 4)	4	C453	1001778
35	Plug	1	7M38	1001489
36	Screw, 1/4-20 x 1/4	4	—	—
37	Screw, 1/4-20 x 1/2	1	7M138	1001468
38	Electrode Holder Clamp	1	7M135	1001467
39	Locking Ring Assembly	1	9MB142	1001618

PL 40350 EN 14 Released on: 01/24/2019



2.3 Nozzle Assemblies

2.3.1 One-Piece Nozzle Assemblies



9mb_nozzle1

Item No.	Description	Qty.	Catalog No.	Order No.
Standard Nozzle (Supplied with spray gun.)				
2	Nozzle Assembly GP (Ar, Ar/H ₂ , Ar/He)	1	3M7-GP	1000724
3	O-Ring, Black Viton, 1.114x0.07 in. (pkg. of 6)	1	7M57	1001495
4	O-Ring, Black Viton, 0.614x0.07 in. (pkg. of 6)	1	7M111	1001462
Optional Nozzles (Each includes O-Rings, items 3 & 4.)				
40	Nozzle Assembly G (N ₂ , N ₂ /H ₂ , Ar/H ₂)	—	3M7-G	1000721
41	Nozzle Assembly GE (N ₂ , N ₂ /H ₂ , Ar/N ₂ , Ar/H ₂ , Ar/He)	—	3M7-GE	1000722
42	Nozzle Assembly GH (Ar/H ₂ , Ar/He)	—	3M7-GH	1000723
43	Nozzle Assembly 700 (Ar, Ar/H ₂ , N ₂)	—	7M700	1001507
44	Nozzle Assembly 703 (Ar, Ar/H ₂)	—	7M703	1001508
45	Nozzle Assembly 704 (Ar, Ar/H ₂ , Ar/He)	—	7M704	1001509
46	Nozzle Assembly 705 (Ar/N ₂ , Ar/He)	—	7M705	1001510
47	Nozzle Assembly 706 (Ar, Ar/He, Ar/N ₂)	—	7M706	1005298
48	Nozzle Assembly 707 (Ar, N ₂ , N ₂ /H ₂ , Ar/H ₂ , Ar/He)	—	7M707	1005299

(continued)

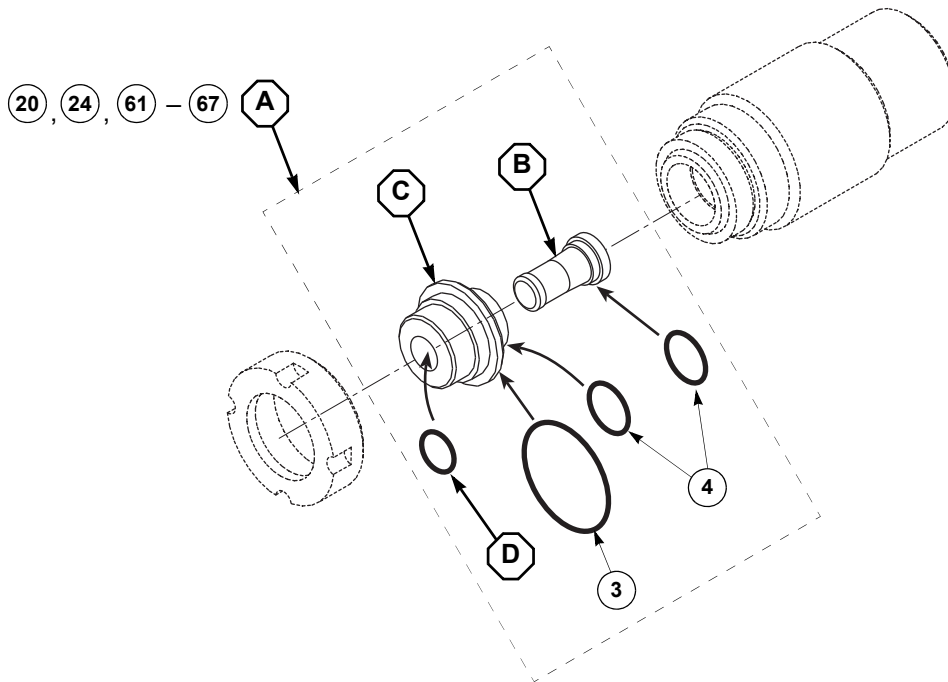
(continued)

Item No.	Description	Qty.	Catalog No.	Order No.
Tungsten-Lined Nozzles (Each includes O-Rings, items 3 & 4.)				
49 (1)	Nozzle, 930W (Tungsten Lined) (N ₂ , N ₂ /H ₂)	—	9MB57850(TF)	1088071
50 (1)	Nozzle, 932W (Tungsten Lined) (Ar, Ar/H ₂)	—	9MB57851(TF)	1088072
51 (1)	Nozzle, 933W (Tungsten Lined) (Ar, Ar/H ₂ , Ar/He)	—	9MB57852(TF)	1088077
52 (1)	Nozzle, 927W (Tungsten Lined) (N ₂ , N ₂ /H ₂ , Ar/H ₂ , Ar/He)	—	9MB57889(TF)	1088078
53 (1)	Nozzle, 931W (Tungsten Lined) (N ₂ , N ₂ /H ₂ , Ar/N ₂)	—	9MB58244(TF)	1088079
54	Nozzle, G-W (Tungsten Lined) (N ₂ , N ₂ /H ₂)	—	9MB58395(TF)	1088073
55	Nozzle, GH-W (Tungsten Lined) (Ar, Ar/H ₂ , Ar/He)	—	9MB58396(TF)	1088074
56	Water Jacket (Includes both halves & item 4.)	—	9MB54809	1040838
Commercial-Grade Nozzle Packages (Each includes O-Rings, items 3 & 4. Quantity 10 each.)				
57	Nozzle, G (Commercial Grade, pkg. of 10)	—	3M7-G-CG	1063176
58	Nozzle, GE (Commercial Grade, pkg. of 10)	—	3M7-GE-CG	1063179
59	Nozzle, GH (Commercial Grade, pkg. of 10)	—	3M7-GH-CG	1063178
60	Nozzle, GP (Commercial Grade, pkg. of 10)	—	3M7-GP-CG	1063182

1. Oerlikon Metco recommends Water Jacket, item 56, ordered separately.



2.3.2 High-Performance Two-Piece Nozzle Assemblies



9mb_nozzle2

Item No.	Description	Qty.	Catalog No.	Order No.
3	O-Ring, Black Viton, 1.114x0.07 in. (pkg. of 6)	1	7M57	1001495
4	O-Ring, Black Viton, 0.614x0.07 in. (pkg. of 6)	2	7M111	1001462
Standard Nozzles (Supplied with spray gun. Each includes O-Rings, items 3 & 4.)				
20	A Nozzle Assembly 730A (N ₂ , N ₂ /H ₂ , Ar/H ₂)	1	9MB730A	1001648
	B Nozzle Body 730B	1	9MB730B	1001649
	C Nozzle Shell 730C	1	9MB730C	1001650
	D O-Ring, Black Viton, 0.489x0.07 in.	1	2-014V	1000359
24	A Nozzle Assembly 732A (Ar/H ₂ , Ar/He; equivalent to nozzle assembly GH)	1	9MB732A	1001654
	B Nozzle Body 732B	1	9MB732B	1001655
	C Nozzle Shell 732C	1	9MB732C	1001656
	D O-Ring, Black Viton, 0.489x0.07 in.	1	2-014V	1000359
Optional Nozzles (Each includes O-Rings, items 3 & 4.)				
61	A Nozzle Assembly 720A (Ar, Ar/H ₂ , N ₂ ; equivalent to nozzle assembly 700)	—	9MB720A	1001640
	B Nozzle Body 720B	1	9MB720B	1001641
	C Nozzle Shell 720C	1	9MB720C	1005510
	D O-Ring, Black Viton, 0.489x0.07 in.	1	2-014V	1000359

(continued)

PL 40350 EN 14 Released on: 01/24/2019

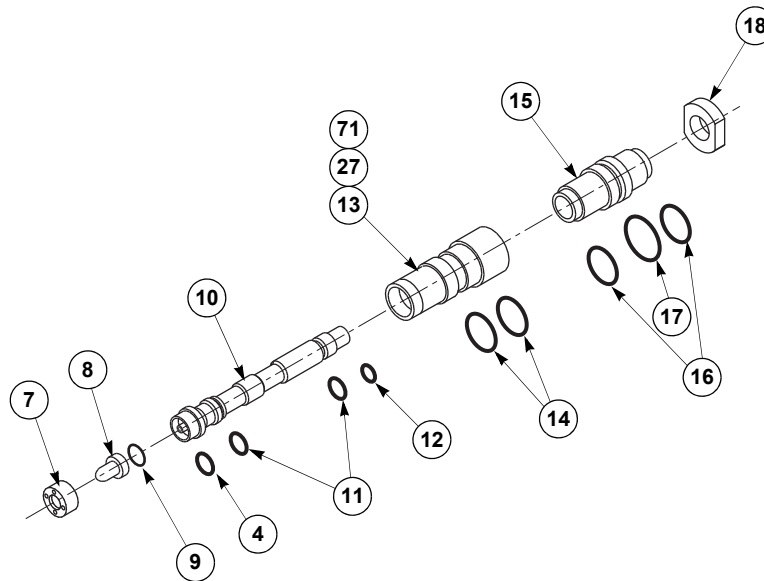
(continued)

Item No.	Description	Qty.	Catalog No.	Order No.
62	A Nozzle Assembly 724A (Ar, Ar/H ₂ , Ar/He; equivalent to nozzle assembly 704)	—	9MB724A	1001642
	B Nozzle Body 724B	1	9MB724B	1001643
	C Nozzle Shell 724C	1	9MB724C	1001644
	D O-Ring, Black Viton, 0.426x0.07 in. (pkg. of 2)	1	7M51	1001493
63	A Nozzle Assembly 727A (Ar, N ₂ , N ₂ /H ₂ , Ar/H ₂ , Ar/He; equivalent to nozzle assembly 707)	—	9MB727A	1001645
	B Nozzle Body 727B	1	9MB727B	1005512
	C Nozzle Shell 727C	1	9MB727C	1001646
	D O-Ring, Black Viton, 0.489x0.07 in.	1	2-014V	1000359
64	A Nozzle assembly 728A (Ar/He)	—	9MB728A	1001647
	B Nozzle Body 728B	1	9MB728B	1005513
	C Nozzle Shell 728C	1	9MB728C	1032444
	D O-Ring, Black Viton, 0.426x0.07 in. (pkg. of 2)	1	7M51	1001493
65	A Nozzle assembly 731A (N ₂ , N ₂ /H ₂ , Ar/N ₂ , Ar/H ₂ , Ar/He; equivalent to nozzle assembly GE)	—	9MB731A	1001651
	B Nozzle Body 731B	1	9MB731B	1001652
	C Nozzle Shell 731C	1	9MB731C	1001653
	D O-Ring, Black Viton, 0.426x0.07 in. (pkg. of 2)	1	7M51	1001493
66	A Nozzle assembly 733A (Ar, Ar/H ₂ , Ar/He; equivalent to nozzle assembly GP)	—	9MB733A	1001657
	B Nozzle Body 733B	1	9MB733B	1001658
	C Nozzle Shell 733C	1	9MB733C	1001659
	D O-Ring, Black Viton, 0.426x0.07 in. (pkg. of 2)	1	7M51	1001493
67	A Nozzle assembly 738A (Ar/He)	—	9MB738A	1032445
	B Nozzle Body 738B	1	9MB728B	1005513
	C Nozzle Shell 738C	1	9MB738C	1032446
	D O-Ring, Black Viton, 0.426x0.07 in. (pkg. of 2)	1	7M51	1001493

PL 40350 EN 14 Released on: 01/24/2019



2.4 Electrode and Insulator Packages



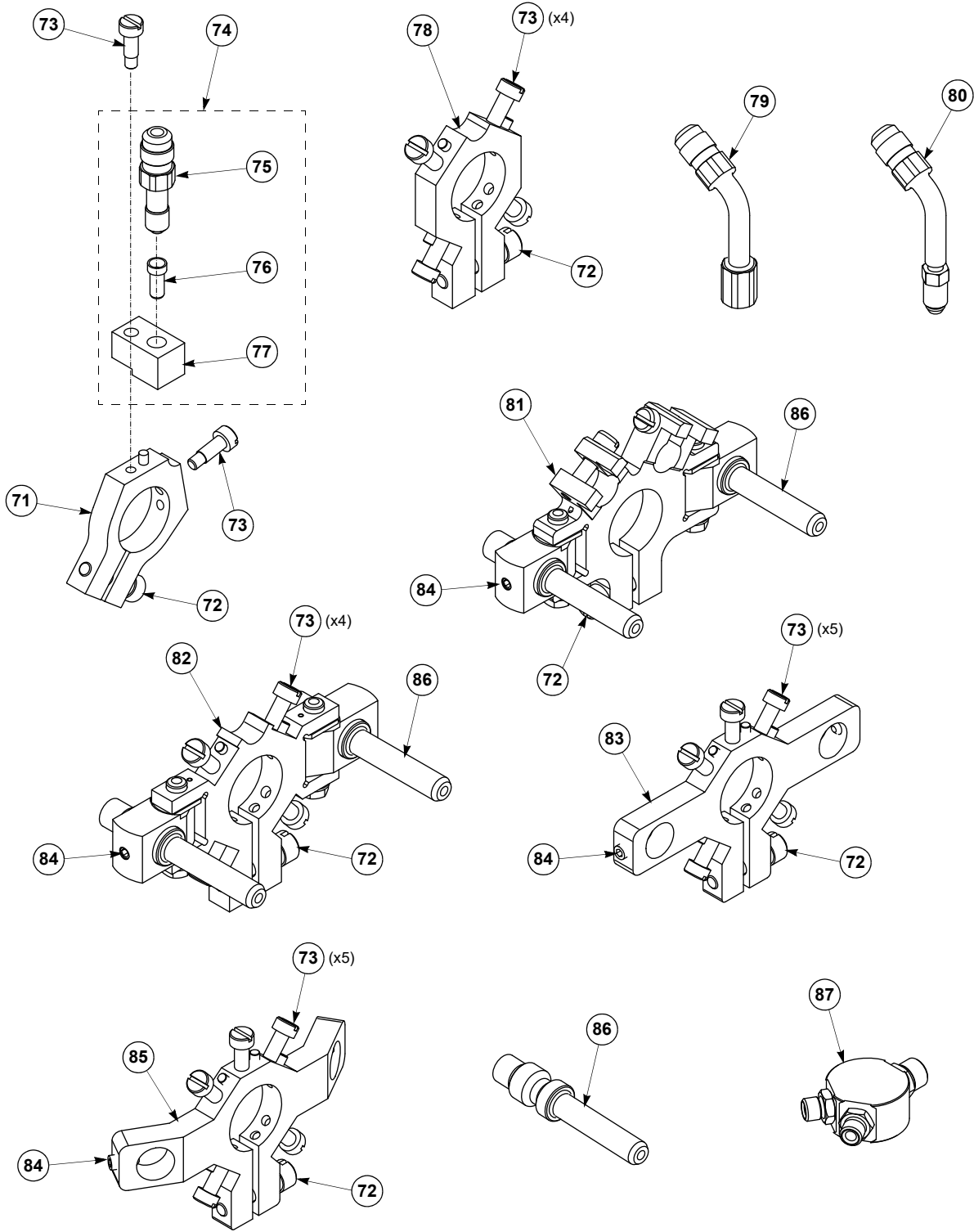
9mb_electrode

Item No.	Description	Qty.	Catalog No.	Order No.
Standard Electrode (Supplied with spray gun.)				
8	Electrode (includes item 9)	1	9M119198	1084120
9	O-Ring, Black Viton, 0.426x0.07 in. (pkg. of 2)	1	7M51	1001493
Optional Packages				
68	Electrode Package (Contains quantity 50, item 8.)	—	9MB63-50	1089198
69	Electrode & Insulator (Argon) (incl. items 4, 7-18)	—	9MB693	1001636
4	O-Ring, Black Viton, 0.614x0.07 in. (pkg. of 6)	1	7M111	1001462
7	Electrode Lock Nut	1	7M14	1001469
8	Electrode Assembly (includes item 9)	1	9M119198	1084120
9	O-Ring, Black Viton, 0.426x0.07 in. (pkg. of 2)	1	7M51	1001493
10	Electrode Holder	1	9MB18	1001622
11	O-Ring, Buna, 0.426x0.07 in. (pkg. of 6)	2	2M199	1000521
12	O-Ring, Buna, 0.239x0.07 in. (pkg. of 2)	1	4EFC56	1000861
13	Front Insulator, Argon (includes item 14)	1	9MB50	1001630
14	O-Ring, Buna, 0.926x0.07 in. (pkg. of 3)	2	9MB296	1001624
15	Rear Insulator	1	9MB166	1001621
16	O-Ring, Buna, 0.739x0.07 in. (pkg. of 3)	2	5PT21	1001202
17	O-Ring, Buna, 0.864x0.07 in. (pkg. of 3)	1	10E46	1000100
18	Electrode Holder Nut	1	7M17	1001475
70	Electrode & Insulator (Nitrogen) (incl. items 4, 7-12, 14-18, & 27)	—	9MB694	1001637
27	Front Insulator, Nitrogen	1	9MB55	1001631
71	Front Insulator, Argon, 6-hole (includes item 14)	1	9MB60	1001634

PL 40350 EN 14 Released on: 01/24/2019

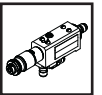
2.5 Powder Port Hardware

2.5.1 Powder Port and Air Jet Clamps



PL 40350 EN 14 Released on: 01/24/2019

9mb_pp_clamps

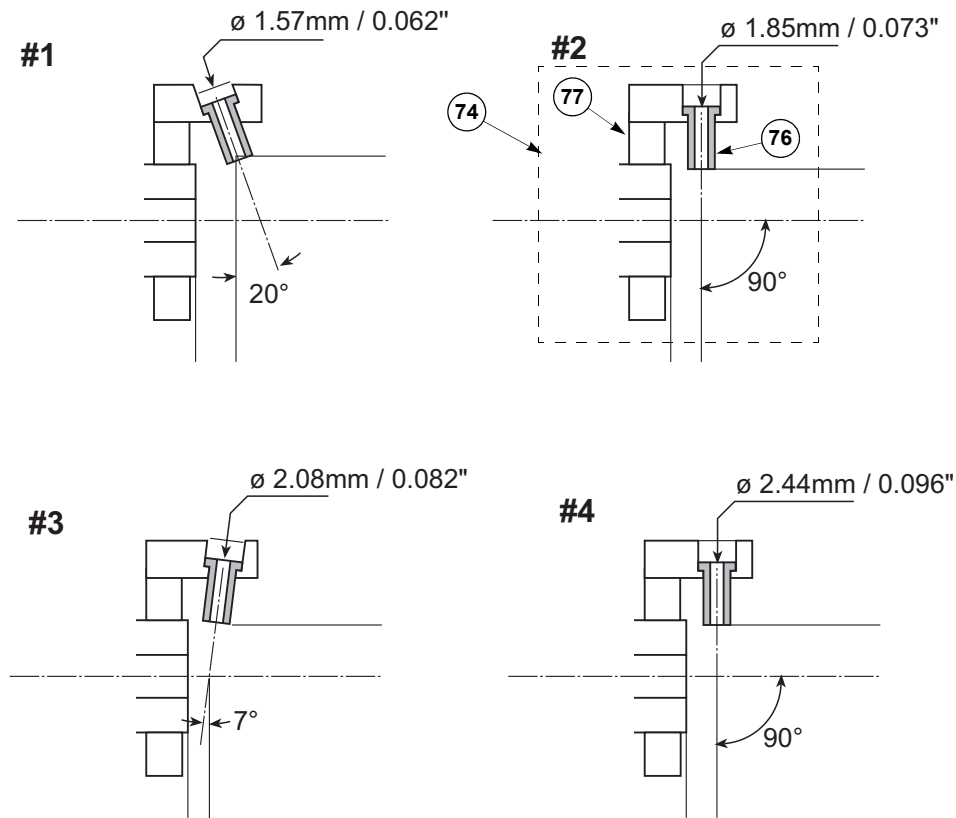


Item No.	Description	Qty.	Catalog. No.	Order No.
Supplied with 9MBM Plasma Gun				
71	Dual Powder Port Mounting Bracket (includes items 72 & 73)	1	9MB961	1001664
72	Screw, 10-24X1-13/64	1	3M327	1000692
73	Screw, 8-32 X 3/16	2	9MB962	1001665
74	No. 2 Powder Port Assembly (includes items 75 - 77)	2	9MB972	1001668
75	Powder Stem	1	3M202	1000679
76	No. 2 Powder Port	1	3M210	1000681
77	No. 2 Mounting Block	1	9MB982	1001674
Optional				
78	Quad Powder Port Clamp (includes items 72 & 73)	—	9MB964	1001666
79	Stem Assembly	—	3M331	1000694
80	Swivel Powder Port Stem	—	9MB963	1016440
81 ⁽¹⁾	Dual Powder Port Air Jet Assembly (Refer to AI 43605.)	—	3M780	1000715
82 ⁽¹⁾	Quad Powder Port Air Jet Assembly (Refer to AI 43579.)	—	9MB950	1001662
83 ⁽²⁾	Powder Clamp, Straight (includes items 72, 73, 84)	—	3MB79557	1062575
84	Hex Set Screw, 10-24 X 3/8 (pkg. of 2)	2	2PSA37	1000542
85 ⁽²⁾	Powder Clamp, 30° (includes items 72, 73, 84)	—	3MB79590	1062578
86	Air Nozzle	—	2PSA30	1000540
87	Wye Assembly	—	2PSA35	1000541
88	Air Supply Hose, 5.8 m (19') (not shown)	—	7M150	1001473
89	Air Nozzle Hose, 38 cm (15") (not shown; 2 required)	—	2PSA40	1000543
90	Hex Key Wrench (3/32") (not shown)	—	PS43	1002327

1. Includes items 86-90. Refer to instructions.

2. Does not include items 86-90 (required).

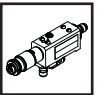
2.5.2 Powder Injectors



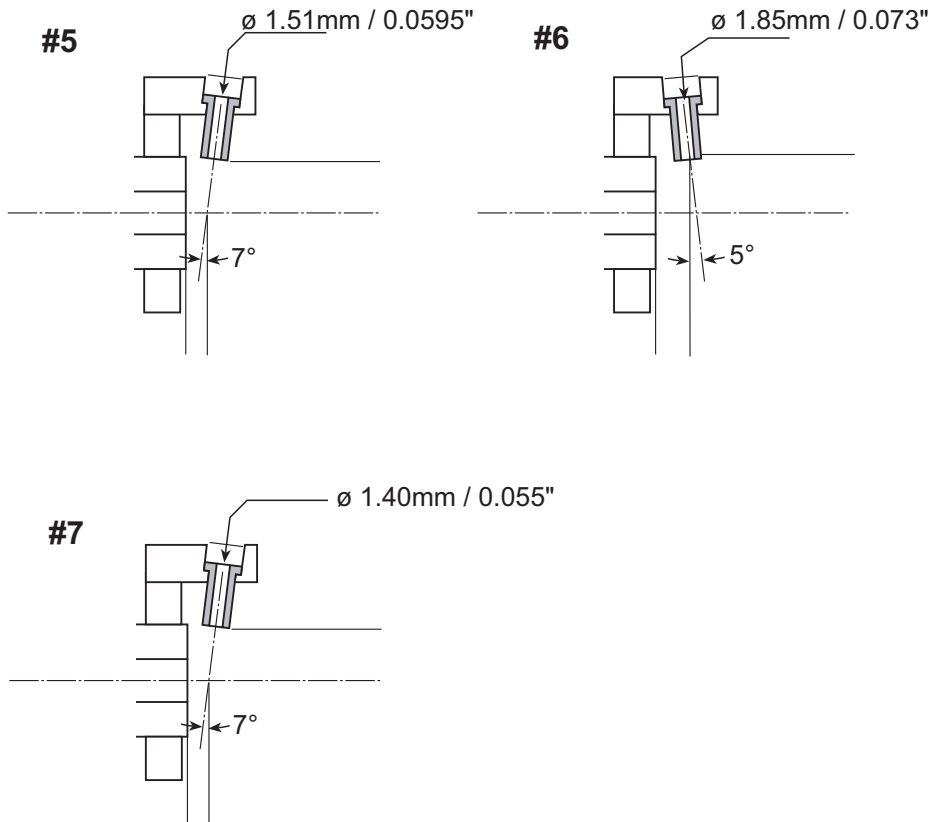
9mb_injectors_1-4

Item No.	Description	Qty.	Catalog. No.	Order No.	
Standard Powder Port (Supplied with spray gun.)					
74	No. 2 Powder Port Assembly	2	9MB972	1001668	
75	Powder Stem	2	3M202	1000679	
76	No. 2 Powder Port	2	3M210	1000681	
77	No. 2 Mounting Block	2	9MB982	1001674	
Optional Powder Ports					
91	No. 1 Powder Port Assembly	—	9MB971	1001667	
92	Powder Feed Tube	1	—	—	
93	No. 1 Powder Port	1	—	—	
94	No. 1 Mounting Block	1	—	—	
95	No. 3 Powder Port Assembly	(includes item 75)	—	9MB973	1001669
96	No. 3 Powder Port	1	3M203	1000680	
97	No. 3 Mounting Block	1	9MB983	1001675	
98	No. 4 Powder Port Assembly	(includes item 75)	—	9MB974	1001670
99	No. 4 Powder Port	1	3M215	1000683	
100	No. 4 Mounting Block	1	9MB984	1006428	

PL 40350 EN 14 Released on: 01/24/2019



2.5.2 Powder Injectors (continued)

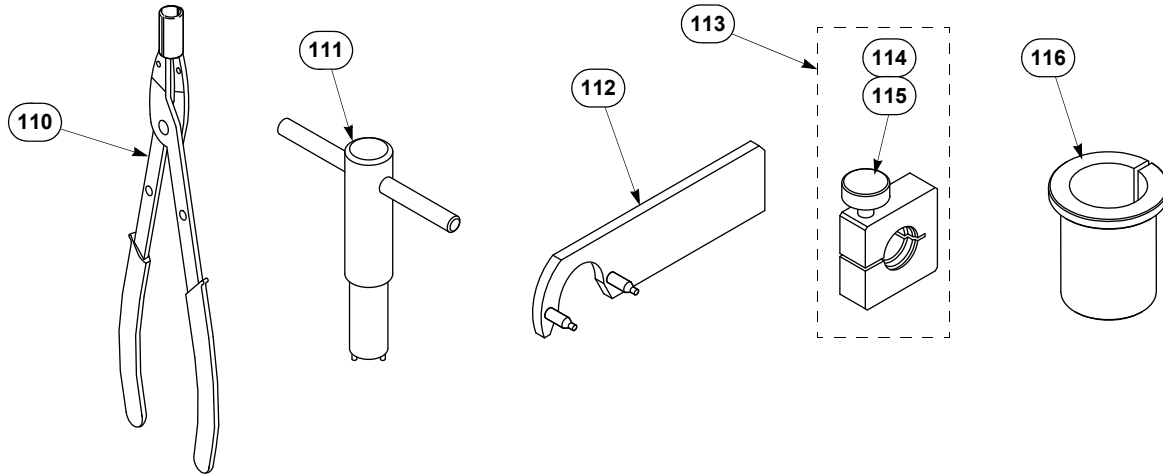


9mb_injectors_5-7

Item No.	Description	Qty.	Catalog. No.	Order No.
Optional Powder Ports (continued)				
101	No. 5 Powder Port Assembly (includes item 75)	—	9MB975	1001671
102	No. 5 Powder Port	1	3M246	1000685
103	No. 5 Mounting Block	1	9MB985	1001676
104	No. 6 Powder Port Assembly (includes item 75)	—	9MB976	1001672
105	No. 6 Powder Port	1	7M288	1001485
106	No. 6 Mounting Block	1	9MB986	1032449
107	No. 7 Powder Port Assembly (includes item 75)	—	9MB977	1001673
108	No. 7 Powder Port	1	9MB997	1032451
109	No. 7 Mounting Block	1	9MB987	1032450

3 Additional Equipment

3.1 Standard Equipment

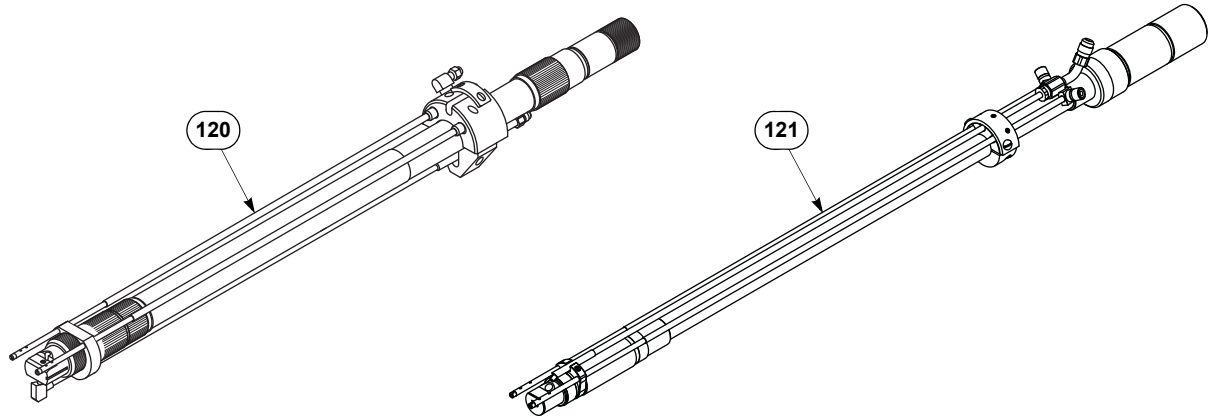
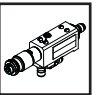


9mb_tools

Item No.	Description	Qty.	Catalog. No.	Order No.
110	Electrode Puller Pliers	1	7M108	1001461
111	Electrode Spanner Wrench	1	10MB104	1000102
112	Nozzle Nut & Locking Ring Wrench	1	7M98	1001519
113	Nozzle Wrench	1	9MB852	1005514
114	Flat Washer (pkg. of 4)	1	2RG217	1000553
115	Thumb Screw, 10-24 X 1-5/8L X 3/4	1	9MB445	1001628
116	Mounting Insulator	1	9MBM57832	1036041
117	Insulator, 1" x 8" (not shown)	2	7M144	1001470
118	Ringlube	1	2M182	1000508
119	Reseal Kit	1	9MB54127	1016455
3	O-Ring, Black Viton, 1.114x0.07 in.	4	7M57	1001495
4	O-Ring, Black Viton, 0.614x0.07 in.	4	7M111	1001462
6	O-Ring, Black Viton, 0.850x0.045 in.	2	9MB297	1001625
9	O-Ring, Black Viton, 0.426x0.07 in.	4	7M51	1001493
11	O-Ring, Buna, 0.426x0.07 in.	4	2M199	1000521
12	O-Ring, Buna, 0.239x0.07 in.	4	4EFC56	1000861
14	O-Ring, Buna, 0.926x0.07 in.	4	9MB296	1001624
16	O-Ring, Buna, 0.739x0.07 in.	4	5PT21	1001202
17	O-Ring, Buna, 0.864x0.07 in.	2	10E46	1000100
23	O-Ring, Black Viton, 0.489x0.07 in.	2	2-014V	1000359
29	O-Ring, Buna, 1.239x0.07 in.	2	2AF29	1000457

PL 40350 EN 14 Released on: 01/24/2019

3.2 Optional Equipment

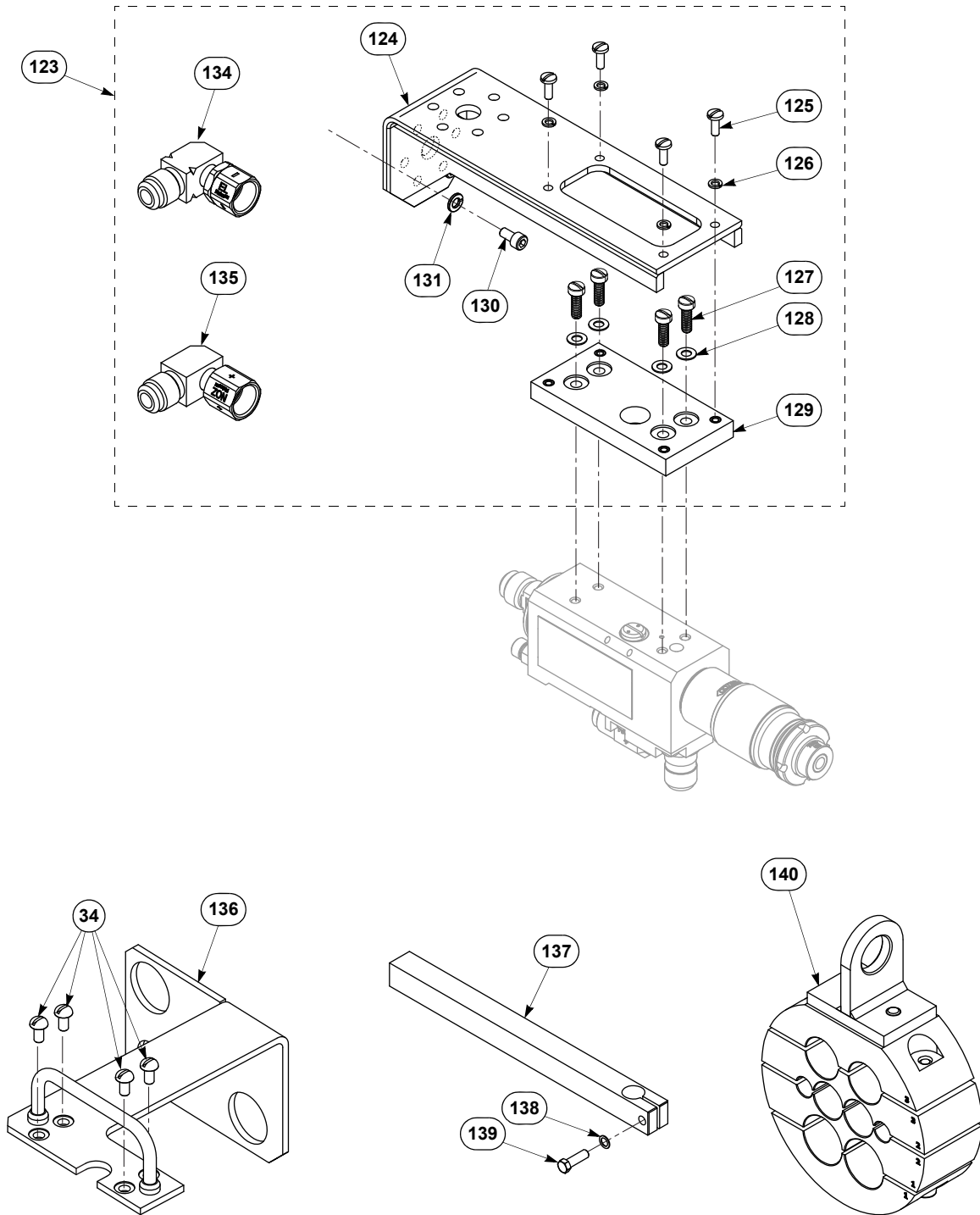


9MBM_ext

Item No.	Description	Qty.	Catalog. No.	Order No.
Optional				
120	7MT Plasma Flame Spray Extension (Refer to MAN 43641.)	—	7MT-2	1019395
121	7MST Plasma Spray Gun Extension (Refer to MAN 77065.)	—	7MST-2	1020563
122	Hardware Kit (includes the following items:)	—	9MB54212	1016615
35	Plug	1	7M38	1001489
37	Screw, 1/4-20 x 1/2	1	7M138	1001468
33	Lock Washer	8	PH21	1002189
34	Screw, 1/4-20 x 1/2	8	C453	1001778
72	Screw, 10-24X1-13/64	1	3M327	1000692
73	Screw, 8-32 X 3/16	4	9MB962	1001665
84	Hex Set Screw, 10-24 X 3/8	2	2PSA37	1000542

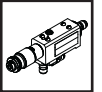
PL 40350 EN 14 Released on: 01/24/2019

3.2.1 Mounting Options



PL 40350 EN 14 Released on: 01/24/2019

9MBM_mount_opt



Item No.	Description	Qty.	Catalog. No.	Order No.
34	Screw, 1/4-20 x 1/2 (pkg. of 4)	4	C453	1001778
123	Robot Gun Mount (Includes items 117 & 124-135.)	—	AR90	1001754
117	Insulator, 1" x 8" (not shown)	2	7M144	1001470
124	Gun Bracket	1	—	—
125	Screw, 10-32 X 9/16	4	—	—
126	Lock Washer (pkg. of 4)	4	2RG218	1000554
127	Screw, 1/4-20 x 3/4 (pkg. of 3)	4	7M31	1032351
128	Washer	4	—	—
129	Insulator Plate	1	AR607	1021542
130	Screw, M6 X 12mm	6	3MBTD34601	1038221
131	Split Spring Washer	6	3MBTD19357	1038223
132	Insulator, 1" x 2" (not shown)	1	7M603	1005297
133	Insulator, Silicone Rubber Tubing (not shown)	1	7M604	1001502
134	Electrode (EL-) Hose Elbow Fitting	1	7M601	1001500
135	Nozzle (NOZ+) Hose Elbow Fitting	1	7M602	1001501
136 ⁽¹⁾	Right Angle Cable Support Bracket (Includes items 117 & 132-135. Refer to AI 43622.)	—	7M600	1001499
137	Mounting Bar (Includes items 138 & 139.)	—	4MBT26	1031749
138	Flat Washer	1	Y70	1002418
139	Screw, 5/16-24 X 1	1	3K247	1000650
140	Cable Hanger and Strain Relief	—	AR100	1100938

1. Requires item 34 (qty. 4), not included.

3.2.2 Hoses and Cables

Water-cooled power cables and plasma gas hoses are listed below. Plasma gas hoses may also be supplied with the plasma control unit. Powder hoses are supplied with the powder feeder or selected based on the spraying application.

Item No.	Description	Qty.	Catalog. No.	Order No.
141	Hose & Cable Package, 5 m (16.4') (includes items 142-145)	—	8MH	1034011
142	Plasma Gas Hose	1	7MH50	1001561
143	Electric Cable, Water Cooled (Red) 5 m (16.4')	1	8MH57586	1034012
144	Electric Cable, Water Cooled (Blue) 5 m (16.4')	1	8MH57587	1034013
145	T-Clip Fastener (pkg. of 3)	3	8MH58390	1093447
146	Hose & Cable Package, 8 m (26') (includes 145, 147-149)	—	8MH-8	1034014
147	Plasma Gas Hose, 9.1 m (30')	1	7MH116	1001553
148	Electric Cable, Water Cooled (Red) 8 m (26')	1	8MH57568	1034470
149	Electric Cable, Water Cooled (Blue) 8 m (26')	1	8MH57567	1034471
150	Hose & Cable Package, 3.5 m (11.5') (includes 145, 151-154)	—	8MH-3.5	1058503
151	Electric Cable, Water Cooled (Red) 3.5 m (11.5')	1	8MH58592	1058539
152	Electric Cable, Water Cooled (Blue) 3.5 m (11.5')	1	8MH58593	1058540
153	Plasma Gas Hose, 3.5 m (11.5')	1	8MH58594	1058541
154	Air Hose 3.5 m (11.5')	1	8MH58595	1058543
155	Hose & Cable Package, 1.5 m (5') (includes 145, 156-159)	—	8MH-1.5	1058504
156	Electric Cable, Water Cooled (Red) 1.5 m (5')	1	8MH58586	1058550
157	Electric Cable, Water Cooled (Blue) 1.5 m (5')	1	8MH58588	1058551
158	Plasma Gas Hose, 1.5 m (5')	1	MH58589	1058552
159	Air Hose 1.5 m (4.9')	1	8MH58590	1058553
Made-to-Order Lengths (Minimum 1.5 m / 5' to maximum 10.5 m / 35')				
160	Hose & Cable Package (includes 145, 161-163)	—	8MHCTO	1034390
161	Plasma Gas Hose	1	7MH50MTO	1034352
162	Electric Cable, Water Cooled (Red)	1	8MH20CTO	1034543
163	Electric Cable, Water Cooled (Blue)	1	8MH10CTO	1034542
Adapters				
164 ⁽¹⁾	Gun Hose Adapter Package (includes items 165-167)	—	PTM300	1028806
165	Hose Adapter (EL-)	1	PTM8	1002339
166	Hose Adapter (NOZ+)	1	PTM9	1002340
167	Plasma Gas Hose Adapter	1	PTM15	1002331
168 ⁽²⁾	Adapter Package (Praxair)	—	8MH97360	1070059

1. For connecting 8MH cables to some JAM Boxes.
2. For connecting 8MH cables to a Praxair plasma controller.