

ærlikon

We bundle our know-how for your advantage

Surface solutions and advanced
hot runner solutions



ærlikon
balzers

ærlikon
hrsflow

Full solution provider in plastics processing

Oerlikon Balzers and Oerlikon HRSflow are specialists in their respective fields. Now, they have combined their passion and experience to offer the best solution in the plastics processing market for numerous products and applications. Benefit from a unparalleled and unique service offered by Oerlikon Balzers and Oerlikon HRSflow – forming the future with advanced surface solutions and hot runner solutions!



Applications

36
plas
injec
know

Advantages Oerlikon HRSflow

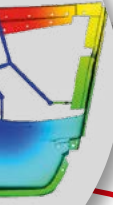
- **Simulation experience** across the world (Moldflow®, Moldex 3D)
- **Application know how**
 - Wide experience in auto, domestic appliances, household and garden, logistic and environmental, small technical applications, thin wall and others
- **Wide product range**
 - 1 g – 10 kg shot weight
 - Valve gate and free flow
- **Innovative back injection of capacitive films for HMI** with marked leader in foil industry and T1 segment
- **Cost saving concepts** by using servo driven systems for family moulds. 12 g to 1.2 kg in one mould and wall thickness reduction by 20% and more
- **Strong service focus** 24/7, 24h spare parts availability, process engineers in all regions, fast onsite support, fast replacements of complete systems in 3 – 6 days
- **10 injection machines for R&D and customer trials around the world**
- **Identically equipped production plants in Italy (HQ), USA and China**



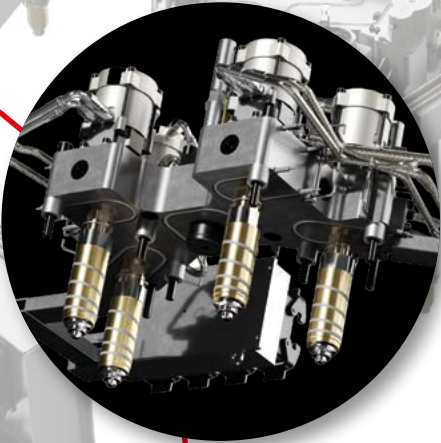
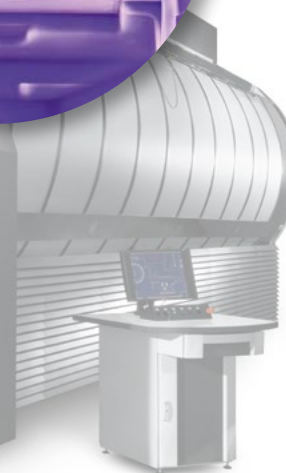
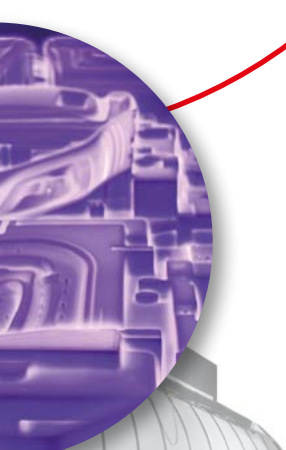
Injection process



Moldflow®



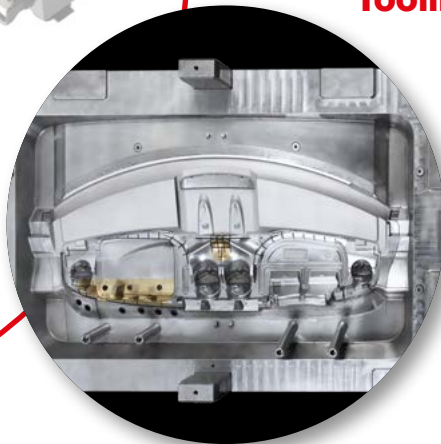
0°
stic
tion
how



Hot runners

From standard hot runners to electrical (servo-driven) systems

Tooling



BALITHERM® process

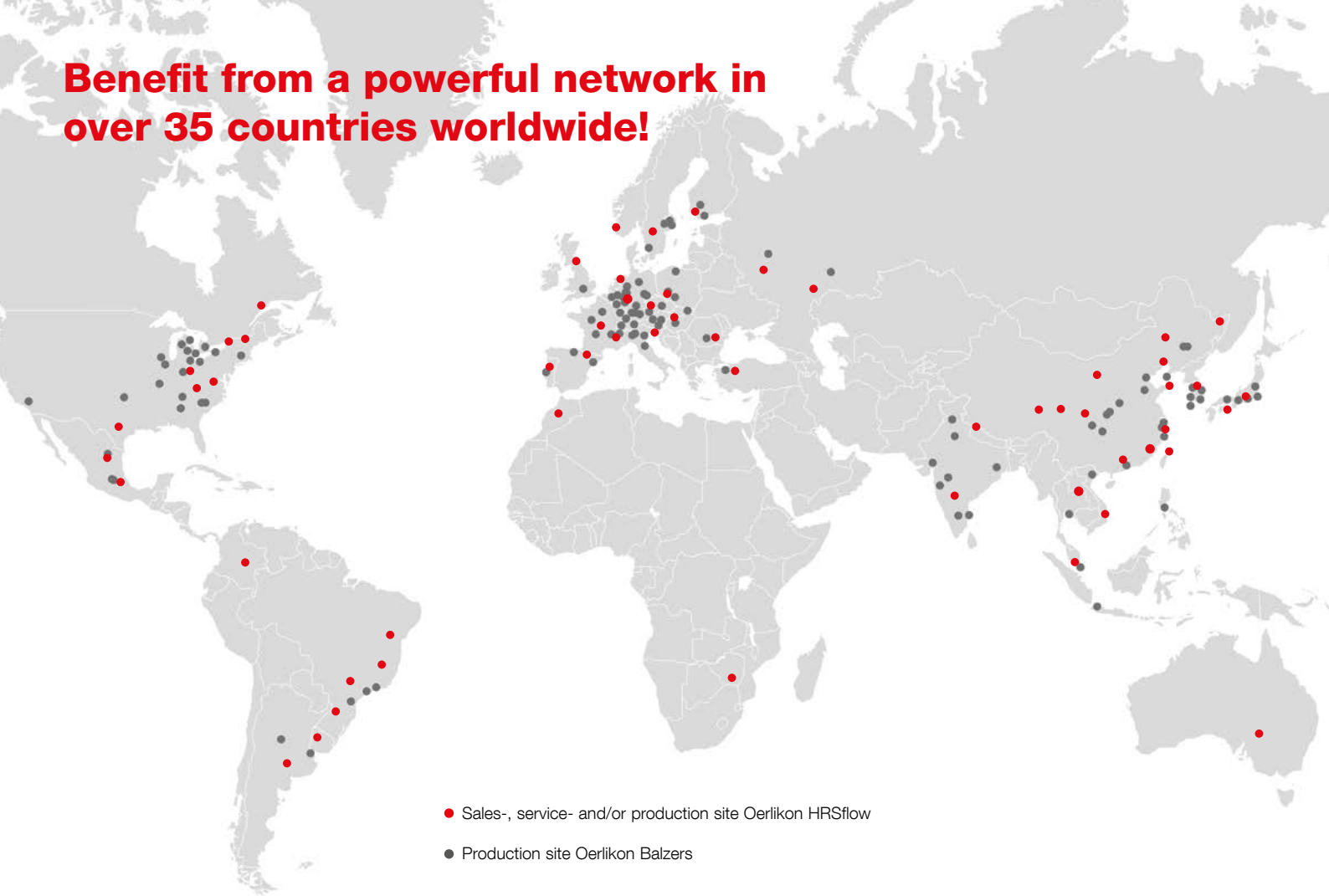
BALITHERM® PRIMEFORM – strong surface protection for all moulding surfaces

Advantages Oerlikon Balzers

- Live demonstrations for application treat on 10 injection machines around the world
- **BALITHERM® PRIMEFORM**
 - Automotive & non auto applications
 - Protection for all surfaces against scratches & abrasive wear
 - Mirror polished, textured and combinations
 - Save min. 20% in maintenance cost improve your product quality
- **BALINIT® CROMA**
 - Automotive & non-auto applications
 - Prevent abrasive & corrosive wear
 - Reduction min. 30% in maintenance and increase min. 50% the tool lifetime
- **BALINIT® C / BALINIT® TRITON**
 - 0 grease (clean moulds)
 - Remove all grease for your moulds
 - Improve the moulding process (easier air venting)
 - Reduction of mould cleaning intervals min. 50%

Forming the future driven by passion and expertise

**Benefit from a powerful network in
over 35 countries worldwide!**



**Benefit from high-end wear protection and hot runner technology
solutions for your challenging applications in plastics processing.
Contact us now!**

Headquarters Balzers

Oerlikon Balzers Coating AG
Balzers Technology and Service Centre
Iramali 18
9496 Balzers
Liechtenstein
Phone +423 388 7500
www.oerlikon.com/balzers

Headquarters HRSflow

Oerlikon HRSflow
Via Piave, 4
31020 San Polo di Piave (TV)
Italy
Phone +39 0422 750-111
info.hrsflow@oerlikon.com
www.hrsflow.com

Oerlikon HRSflow Germany

HRSflow GmbH
Schwanheimer Ufer 302
60529 Frankfurt/Main
Germany
Phone +49 69 6681596-0
germany.hrsflow@oerlikon.com
www.hrsflow.com

oerlikon
balzers

oerlikon
hrsflow