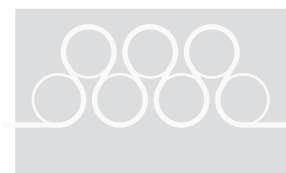


**oerlikon**  
neumag

# Thrust Pad

**Perfect fiber quality starts here –  
Original Parts from Oerlikon Neumag**



# Thrust pad for use in thrust pad contacting devices

## Your advantages:

- Optimal materials ensure a high machine availability
- Less wear because of a very precise surface
- Reliable sealing
- Reduced maintenance expenses

## Professionals choose Original Parts – Because we believe in the value of quality

Filament breaks and thread draws are a reason for unregular structures in staple fibers. This can be traced back to a drawing-in of fibers between the side plate and the crimper roll.

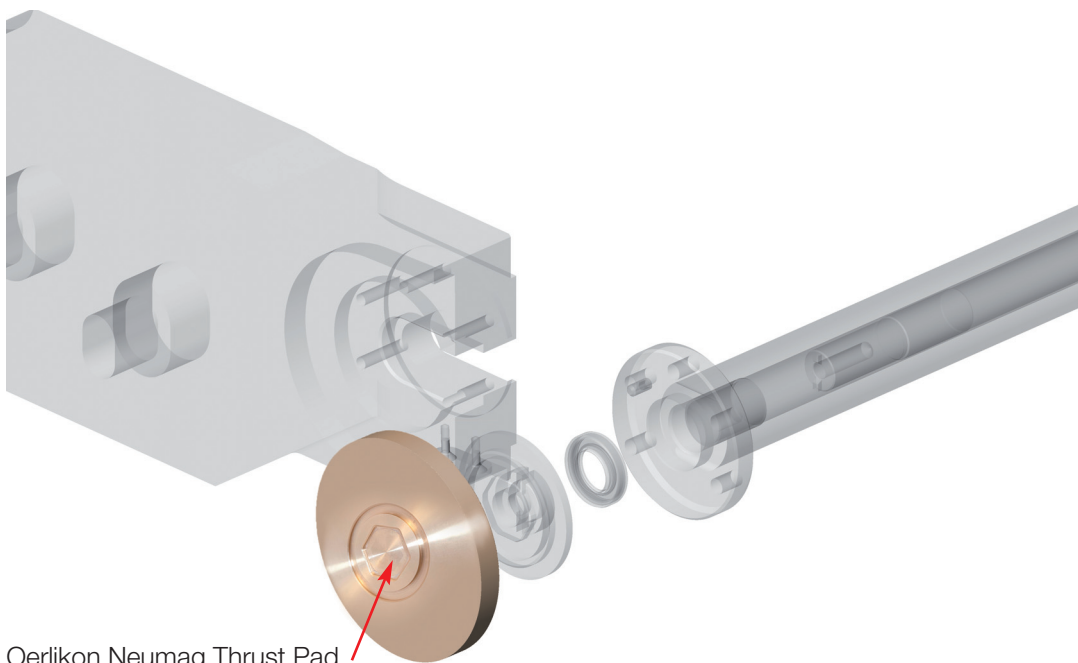
Thus, loops can be formed or filaments can be damaged. A reliable thrust pad has a direct effect on the quality of your fiber.

## Reliable sealing against fiber move-in

Oerlikon Neumag's thrust pads to be used in thrust pad contacting and rotating devices of crimpers are reliably sealing the stuffer box in the area of the crimper rolls against such a possible drawing-in of fibers. The thrust pads are being pressed against the front side of the crimper rolls and slowly turned at the same time. This is to ensure a reliable and wear optimized seal.

## Nothing but the very best will do – Thrust pad made of high quality materials

The use of specially developed materials increases the time between required regrinding intervals and also reduces the machine standstills and the production downtimes.



Oerlikon Neumag Thrust Pad