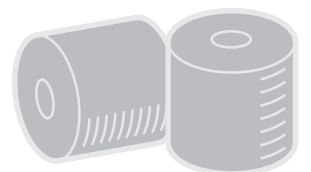


Oil mist separator maintenance kit / conversion kit

Best performance for every component



Oil mist separator maintenance/conversion

Keeping in perfect condition and up-to-date

Maintenance kit – keeping in perfect condition

Enduring performance of quality components is based on regular maintenance. Our kit provides all parts required to be exchanged during maintenance.

Getting what you need in one kit

The maintenance kit includes all components required for a standard maintenance. This reduces the necessary work for identifying what is required.

ID-No. 70077000 – kit for yearly maintenance

Qty	Description	Part No.
1 set	motor gasket seal	NE10036463
1 set	aluminum stretching mesh	NE10036462
1 pce	exhaust carousel	NE10073491
1 pce	wire mesh	NE10036459
1 pce	disposable filter	NE10031131
1 pce	cover sealing	NE10031857

In addition, we recommend replacing the following parts in a 4-5 year interval, depending on the condition of the parts.

Qty	Description	Part No.
1 pce	base filter	NE10031856
1 set	drum with filters	NE10033793

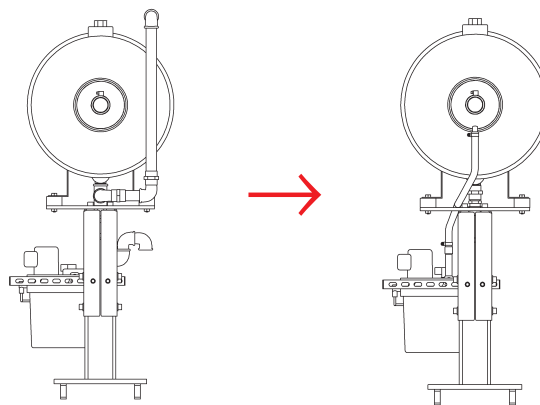
Your advantages

Regular maintenance will:

- reduce downtimes due to failures caused by worn parts,
- reduce costs for repair by preventing failures,
- make costs and work foreseeable,
- get what you need in one kit,
- ensure a constant high-quality process.

Conversion kit – keeping up-to-date

Upgrade your oil mist separator to state-of-the-art technology.



e.g. ID No. 8229111

ID No. 8229113

Returning excess oil to the oiling circuit

The main idea is to collect overflowing oil and redirect this into the oil tank instead of collecting this externally.

Your advantages

Besides the positive economic effects of saving oil, this conversion will lead to a reduction of spilled oil near the separator. Therefore it will help make the working environment safer and protect the environment by reducing the amount of waste created during production. These advantages make this conversion kit part of our e-save initiative to improve Efficiency, Productivity Ergonomics and Energy Consumption.

Conversion kits

Original ID No.	Conversion kit ID No.
8229111	70081695
70087243	70087963
6924556	70092801

Please contact us in case your oil mist separator is not listed above.



Oerlikon Neumag

Zweigniederlassung der Oerlikon Textile GmbH & Co. KG
 Christianstraße 168-170 · D 24536 Neumünster
 www.oerlikon.com/manmade-fibers

Please contact us for a personal quotation:
 Phone: +49 4321 305 504 · Fax: +49 4321 305 300
 sales.parts@oerlikon.com

Subject to technical modification
 and other changes.
 ONE 04/14