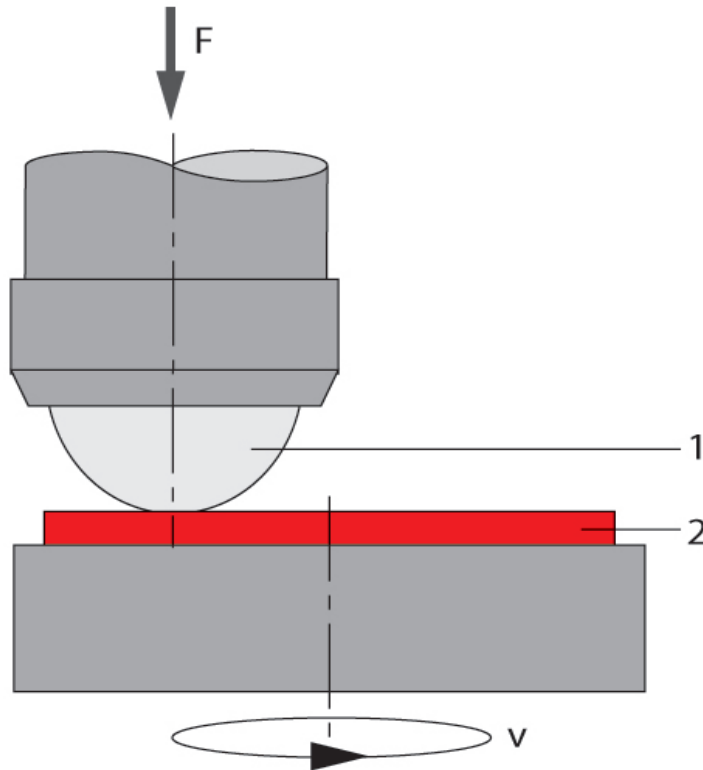


Tribological characterization for antifriction coatings: Sliding wear test



Experimental method:

1. Ball, non rotating, diameter 3mm, AISI 52100 (DIN 1.3505), 60 HRC
2. Test ring: AISI 52100 (DIN 1.3505), 60 HRC Abrasive-blasted or polished, N4, Coated

Test conditions:

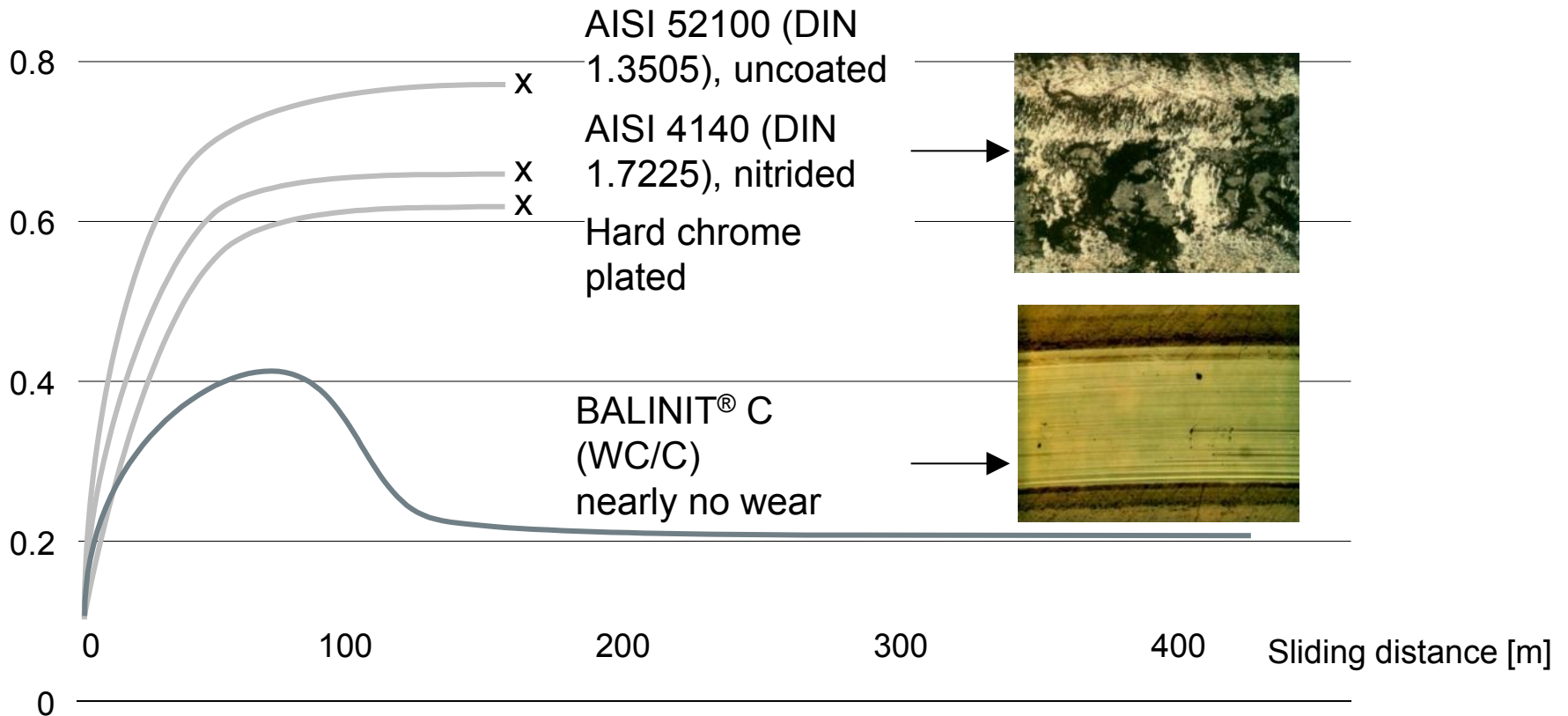
$F = 30 \text{ N}$
 $v = 0.3 \text{ m/s}$
Dry contact

The key property against seizure at poor lubricating condition is the coefficient of friction. It is measured with pin - on - disc under dry running condition.

Dry running properties

Coefficient of friction

X End of test due to adhesive wear



BALINIT® C (WC/C) shows under dry running condition the lowest friction and highest wear life time compared to conventional surface treatments.